

General Description

LiteLids[®] are aluminum reflectors that fit between the top and bottom refractors to reduce upward light and increase downward efficiencies. Available in non-perforated or perforated versions.

Features and Benefits

- Being Night Sky Friendly they decrease upward light 30-40% and increase downlight by 20-25%
- Perforated LiteLids allow just enough upward light for a pleasing glow.
- Non-perforated LiteLids block all direct light from reaching the upper refractor.

Applications

Designed for use with our post top acorn Lindy, Little Lindy and Lineman[™] Models. LiteLids should be utilized in light pollution sensitive areas to redirect potentially wasted upward light into increased downward efficiencies.

Service Notification

Each community must establish its priorities for lighting. It is LexaLite's suggestion that users consult with a Certified Lighting Professional for each lighting application regarding regulations and the primary criteria; such as reduced night sky pollution, energy efficiency, product longevity, color rendition, etc. Consulting with a lighting professional will provide a better lighting application design.

Ordering Information

Please call 877-257-5841 for pricing and delivery.

Specifications

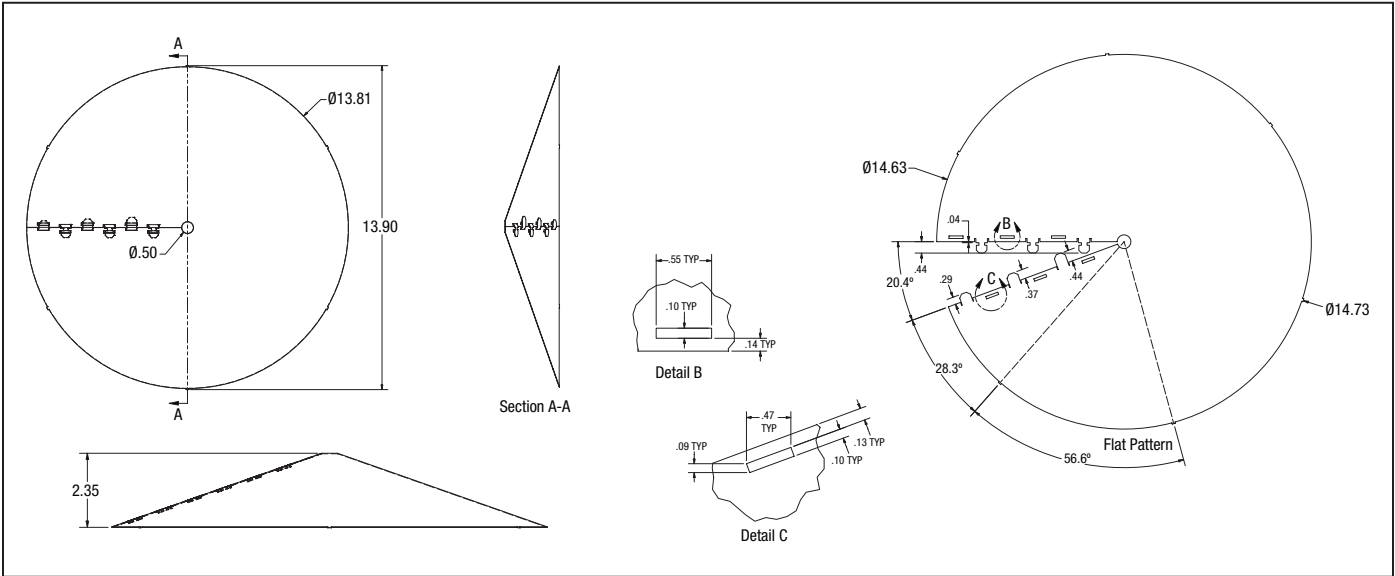
13.9" diameter
Non-perforated
Perforated

15.35" diameter
Non-perforated
Perforated

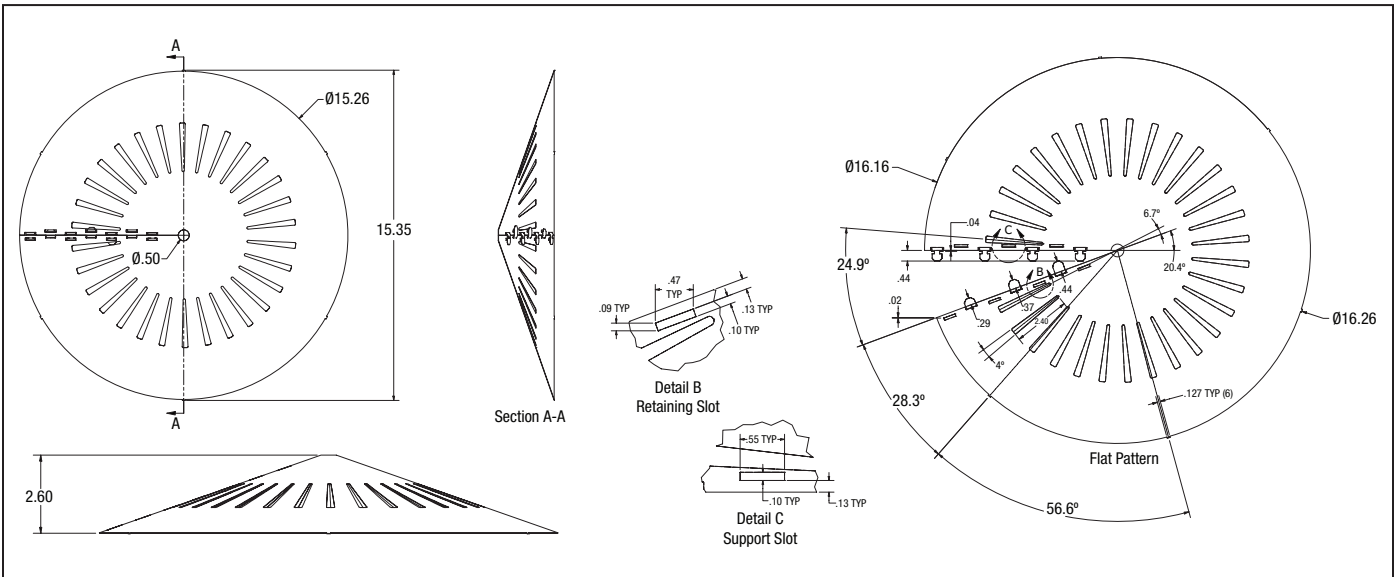
Materials

Aluminum

13.9" LiteLid Non-Perforated Shown



15.35" LiteLid Perforated Shown



This drawing is for reference only. Actual part dimensions will vary. Customer is urged to review actual samples to confirm fit and function. All specifications and dimensions are subject to change without notice.

Materials

See the LexaLite® brand price list for current part numbers and material offerings. Up-to-date and detailed material specifications can be found in the Resources section on our website www.alpadvantage.com.

When using acrylic, the surface temperature of the lens should not exceed 80°C. When using polycarbonate, the surface temperature of the lens should not exceed 90°C.

Notice

A.L.P. assumes no responsibility for suitability of these materials in any luminaire or application. Please test for fit and function prior to ordering project quantities.