

General Description

This low-profile, narrow linear fixture kit features a 3" extruded aluminum profile housing. Suitable for commercial and residential settings, this versatile linear is offered in a variety of lengths, installation options and mounting styles. The post-painted housing is offered in Matte White and Matte Black for durability and a modern, clean look.

Features and Benefits

- Surface or pendant-mounted installation.
- Electrostatically applied polyester powder coat paint in Matte White or Matte Black.
- Standard lengths are 2ft, 4ft and 8ft.
- Custom lengths may be available (contact customer service).
- Suitable for individual or row mounting.

Applications

Suitable for interior applications including hospitality, healthcare, education, retail, and office environments.

Specifications

2'

Length 22.44"

Width 3.15"

Height 3.35"

4'

Length 44.88"

Width 3.15"

Height 3.35"

8'

Length 88.97"

Width 3.15"

Height 3.35"

Housing

Extruded Aluminum

Lens

Acrylic technical frosted diffuser

Finish

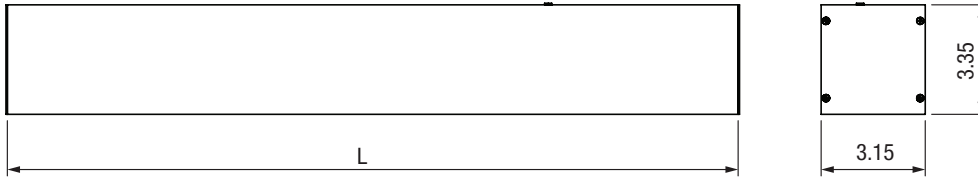
Electrostatically applied polyester powder coat paint in Matte White or Matte Black.

Mounting

Surface or pendant-mounted or continuous row

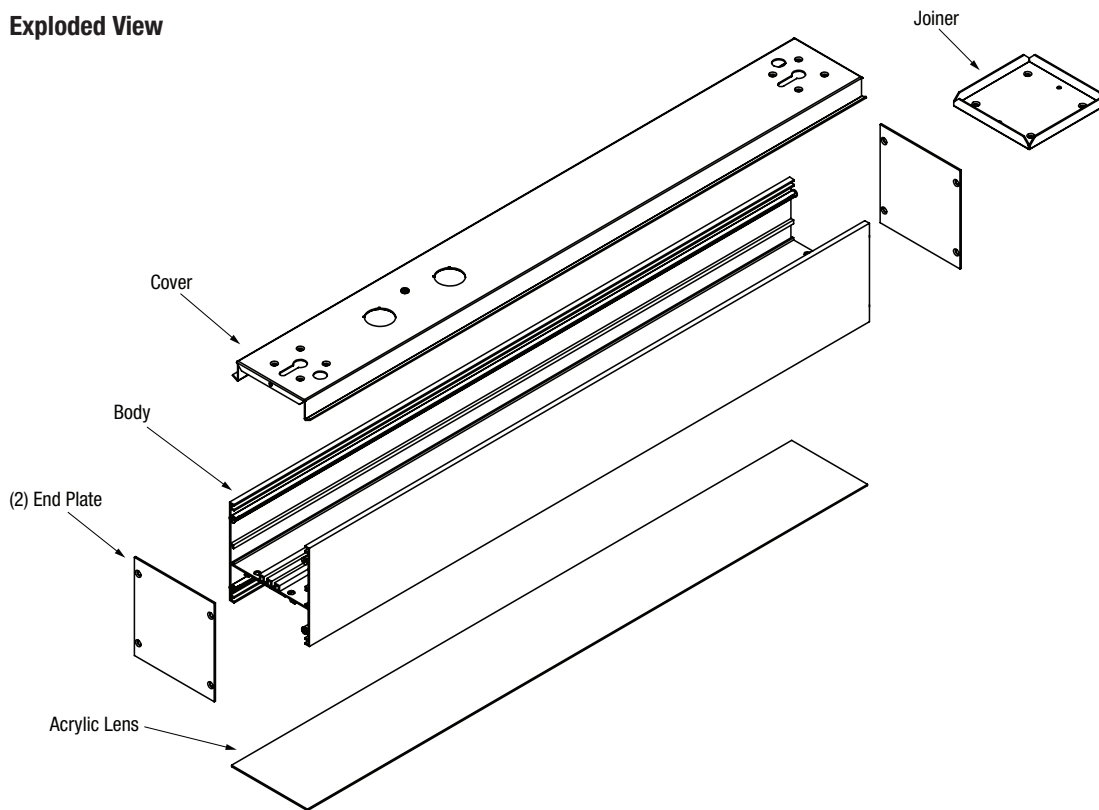
Please contact A.L.P. for pricing and delivery. A.L.P. will support design and development with customer supplied light engines. All specifications subject to change without notice. A.L.P. Lighting Components, Inc. assumes no responsibility for these materials in any luminaire or application. The product is an OEM component kit requiring final assembly by a qualified OEM fixture manufacturer.

Dimensions



Model	Size	Length	Width	Height
SE3	2ft	22.44	3.15	3.35
	4ft	44.88	3.15	3.35
	8ft	88.97	3.15	3.35

Exploded View



SE3 2FT			SE3 4FT			SE3 8FT		
Part Number	Description	Qty	Part Number	Description	Qty	Part Number	Description	Qty
8085S 1210	2FT Body	1	8085S 1410	4FT Body	1	8085S 1810	8FT Body	1
8085S 1252	2FT Lens	1	8085S 1452	4FT Lens	1	8085S 1852	8FT Lens	1
8085S 1261	2FT Cover	1	8085S 1461	4FT Cover	1	8085S 1461	8FT Cover	2

Optional items

Part Number	Description	Qty
8085S 31	END PLATE	2
8085S 16	JOINER	1

Please contact A.L.P. for pricing and delivery.

All specifications subject to change without notice. A.L.P. assumes no responsibility for these materials in any luminaire or application.