



General Description

The Universal Surface Kit (USK) converts recessed fixtures into surface-mounted lighting. Its construction provides a simple means of installing a recessed fixture in any surface mount application, while reducing labor time, inventory, and associated costs.

Features and Benefits

- Rigid Steel frame.
- Post-painted in powder coated flat white Polyester.
- Easy to assemble.
- Easy installation onto the fixture.
- Formed and welded in 23-gauge Steel.

Application

Can be used in fixtures with a maximum height of 3.55" [90 mm]. Suitable for interior applications including offices, hotels, schools, healthcare settings, and retail environments.

Specification Features

1x4

Length 48.07"

Width 11.96"

Height 3.60"

2x2

Length 23.95"

Width 23.85"

Height 3.60"

2x4

Length 48.07"

Width 23.85"

Height 3.60"

Housing

Steel Frame

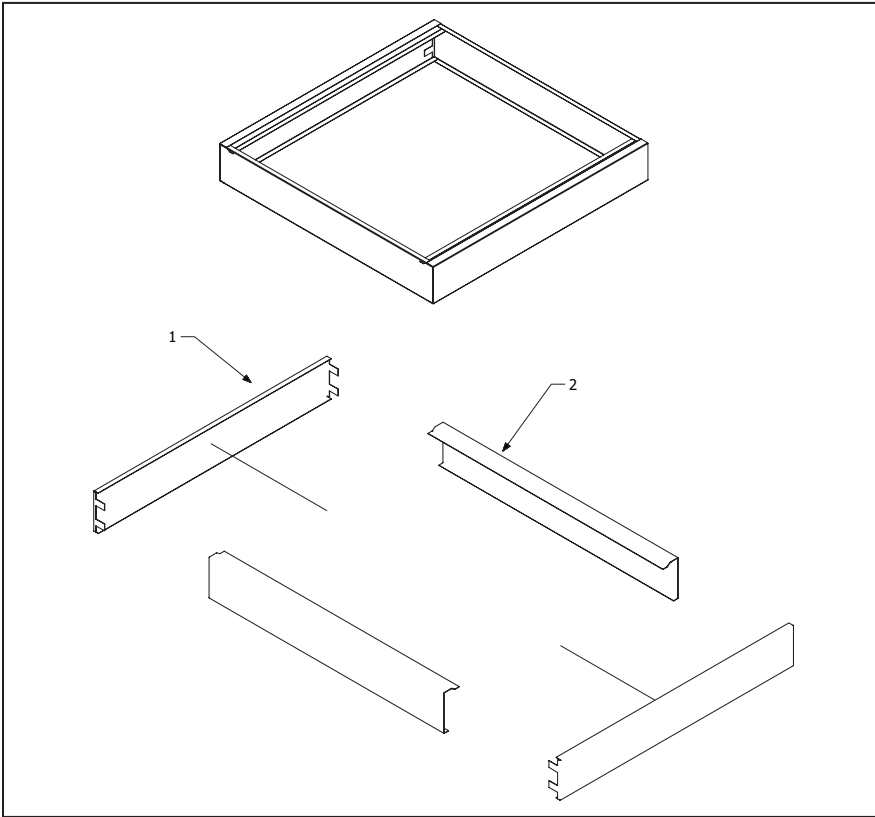
Finish

Post-painted in powder coated matte white polyester

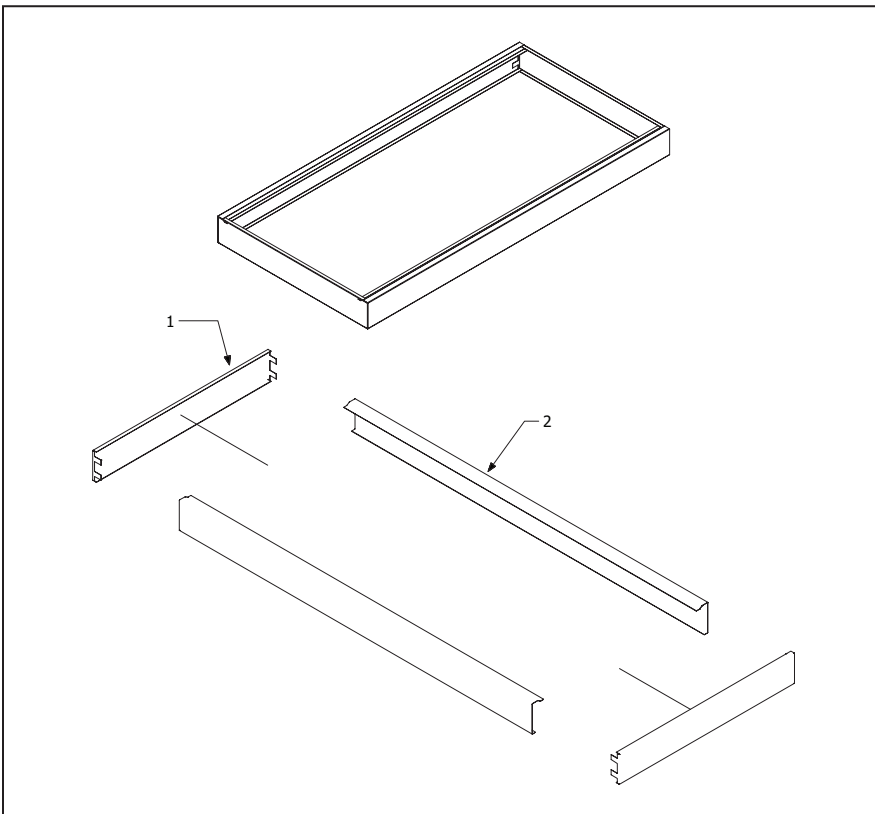
Mounting

Surface mounted

Please contact A.L.P. for pricing and delivery. A.L.P. will support design and development with customer supplied light engines. All specifications subject to change without notice. A.L.P. Lighting Components, Inc. assumes no responsibility for these materials in any luminaire or application. The product is an OEM component kit requiring final assembly by a qualified OEM fixture manufacturer.



USK 310 2x2			
Part Number	Description	Qty	Qty/Pit
310TCP 2231	2' End	2	300
310TCP 2272	2' Side	2	



USK 310 1x4			
Part Number	Description	Qty	Qty/Pit
310TCP 1431	1' End	2	300
310TCP 2472	4' Side	2	

USK 310 2x4			
Part Number	Description	Qty	Qty/Pit
310TCP 2231	2' End	2	300
310TCP 2472	4' Side	2	

Please contact A.L.P. for pricing and delivery.

All specifications subject to change without notice. A.L.P. Lighting Components, Inc. assumes no responsibility for these materials in any luminaire or application.