



General Description

Fluorescent or LED tube surface- and suspended-mount strip fixture for indoor use, when energy efficiency, performance and ease of maintenance are required.

Features and Benefits

- 2', 3', 4' and 8' lengths available for T8 configurations
- 4' and 8' lengths available for T5 configurations
- Holes provided for convenient surface mounting or S-hook chain-mounting
- Can be row-mounted using a suspended or surface-mount configuration

Applications

Suitable for interior applications including cove, cabinet, task, industrial or general illumination applications.

Body

Die-formed heavy-gauge cold rolled steel.

Cover

Secures with screws (not included)*.

Two covers and two center socket bars required for 8ft configurations.

End Plate Socket Bar

End plate socket bars are fastened by screws (not included)* allowing the flexibility of repositioning to act as joiners for raceway wiring.

Finish

Pre-painted body in high-reflectance white.

Mounting

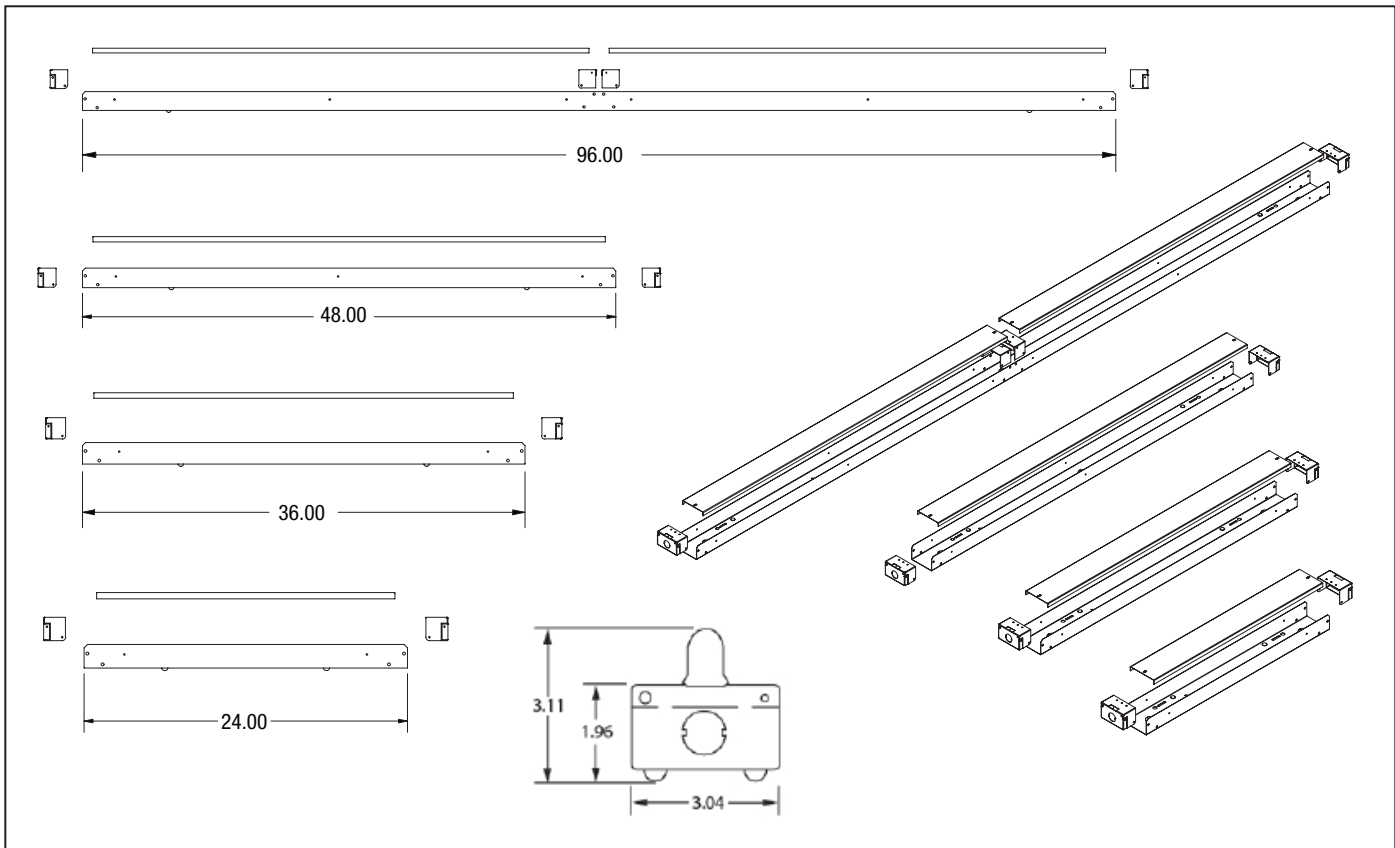
Holes provided for convenient surface mounting or S-hook chain-mounting.

Can be row-mounted using a suspended or surface-mount configuration.

Notice

Dimensions subject to change without notice. This product is an OEM component kit requiring final assembly by a qualified OEM fixture manufacturer.

*10 #8 x 1/4 pan head screw recommended for 2', 3' and 4' assembly. 20 #8 x 1/4 pan head screw recommended for 8' assembly.



Part Number	Description	Qty
KDS 2ft Components		
KDS-120BXC	KDS 2' Body	1
KDS-120CXC	KDS 2' Ballast Cover	1
KDS-EPSBXC	KDS End Plate Socket Bar	2
KDS 3ft Components		
KDS-130BXC	KDS 3' Body	1
KDS-130CXC	KDS 3' Ballast Cover	1
KDS-EPSBXC	KDS End Plate Socket Bar	2
KDS 4ft Components		
KDS-140BXC	KDS 4' Body	1
KDS-140CXC	KDS 4' Ballast Cover	1
KDS-EPSBXC	KDS End Plate Socket Bar	2
KDS 8ft Components		
KDS-140TBXC	KDS 8' Body	1
KDS-140CXC	KDS 4' Ballast Cover	2
KDS-EPSBXC	KDS End Plate Socket Bar	2
KDS-CSBXC	KDS Center Socket Bar	2

Part Number	Description	Qty
KDS 4ft Tandem Components		
KDST5-140BXC	KDST5 4' Tandem Body	1
KDST5-140CXC	KDST5 4' Ballast Cover	1
KDST5-EPSBXC	KDST5 End Plate Socket Bar	2
KDS 8ft Tandem Components		
KDST5-140TBXC	KDST5 8' Tandem Body	1
KDST5-140CXC	KDST5 4' Ballast Cover	2
KDST5-EPSBXC	KDST5 End Plate Socket Bar	2
KDST5-CSBXC	KDST5 Center Socket Bar	2

Notice

Dimensions subject to change without notice. This product is an OEM component kit requiring final assembly by a qualified OEM fixture manufacturer.

*10 #8 x 1/4 pan head screw recommended for 2', 3' and 4' assembly. 20 #8 x 1/4 pan head screw recommended for 8' assembly.