

## 390 Series Wraparound

Low-profile, narrow two-light  
by Light Tool International



### General Description

The low-profile, narrow two-light wraparound housing snaps together for easy assembly, installation, and maintenance. Designed for today's commercial buildings, it features a high-reflectance matte finish to ensure a quality lighting installation that is efficient and sustainable.

### Features and Benefits

- Suspended or surface-mounted installation options.
- Accommodates most commercial wrap diffusers.
- Post-painted in matte white finish with 92% reflectance.
- Formed and welded in 24-gauge steel.
- Smooth hemmed sides for safe handling.
- Custom LED pattern holes available (contact Customer Service).

### Application

For use in industrial and garage applications as well as kitchens, offices and storage rooms.

### Ordering Information

Please call 877-257-5841 for price and delivery.

### Specifications

#### Housing

Die-formed heavy-gauge steel

#### Ends

Snap on tightly to the housing with hole end available for flush ceiling frame mounting

#### Ballast Cover

Snaps into housing to cover ballast and wires

#### Finish

Post painted matte white with minimum 92% reflectivity

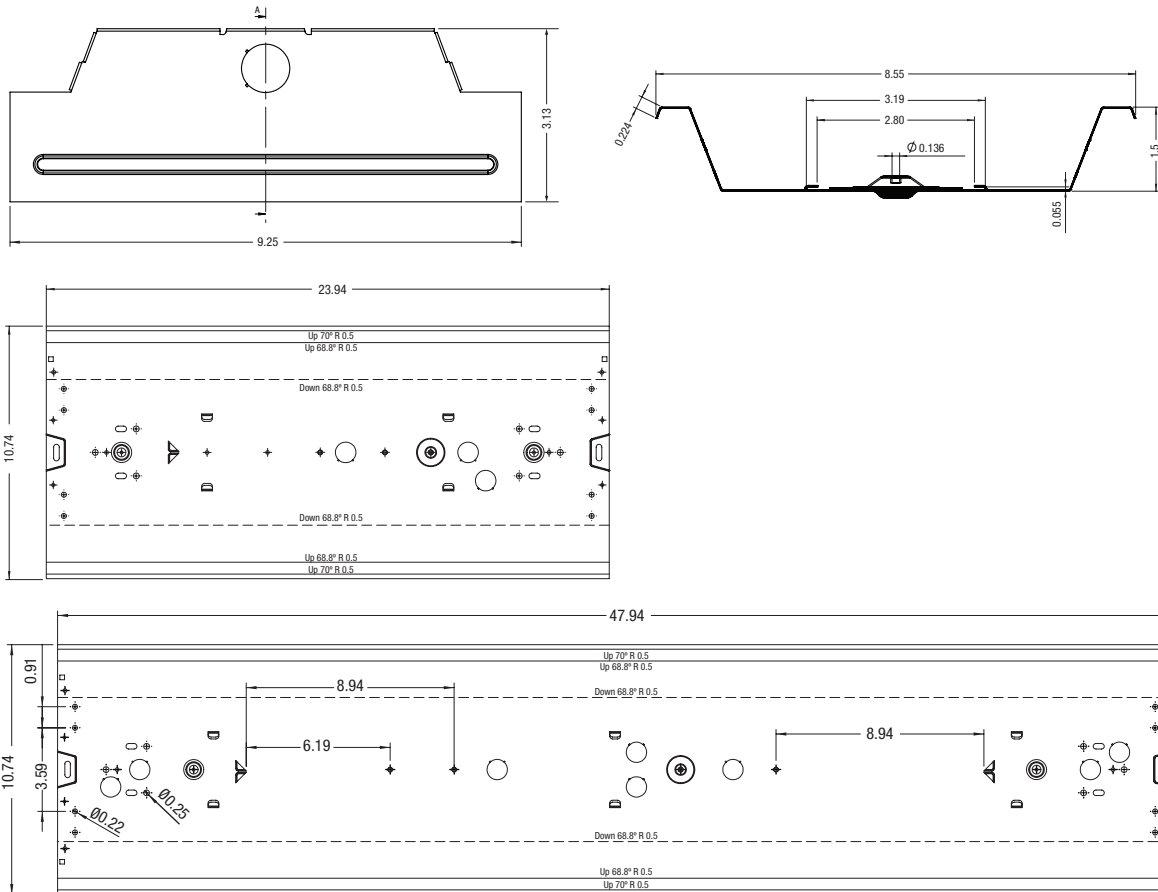
#### Mounting

Unit may be surface-, stem- or aircraft cable-mounted individually or in continuous rows

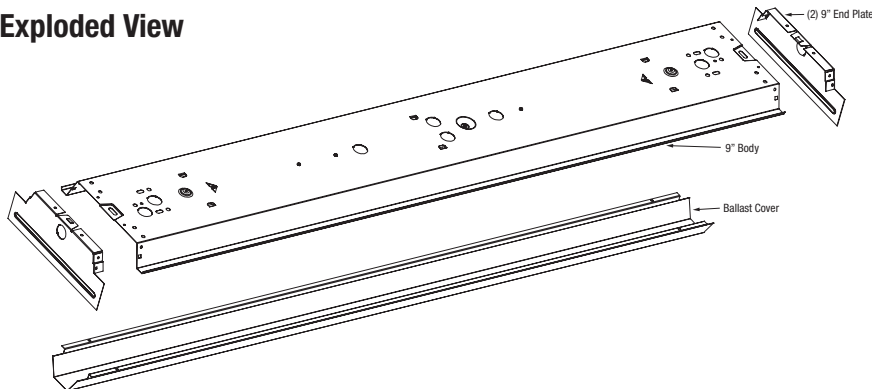
#### Notice

Dimensions subject to change without notice.  
This product is an OEM component kit requiring final assembly by a qualified OEM fixture manufacturer.

### Dimensions



### Exploded View



WRP 390 2FT				WRP 390 4FT			
Part Number	Description	Kit Qty	Qty/Pkt	Part Number	Description	Kit Qty	Qty/Pkt
390-220BB	9" 2ft Body	1	300	390-240BB	9" 4ft Body	1	200
390-2EB	9" End Plate	2		390-2EB	9" End Plate	2	
370-20CB	2ft Ballast Cover	1		370-40CB	4ft Ballast Cover	1	

Please contact A.L.P. for pricing and delivery. This product is an OEM component kit requiring final assembly by a qualified OEM fixture manufacturer. All specifications subject to change without notice. A.L.P. assumes no responsibility for these materials in any luminaire or application.