

314 Series Wraparound

Low-profile, narrow four-light
by Light Tool International



General Description

The low-profile, narrow four-light wraparound housing snaps together for easy assembly, installation, and maintenance. Designed for today's commercial buildings, it features a high-reflectance matte finish to ensure a quality lighting installation that is efficient and sustainable.

Features and Benefits

- Suspended or surface-mounted installation options.
- Accommodates most commercial wrap diffusers.
- Post-painted in matte white finish with 92% reflectance.
- Formed and welded in 24-gauge steel.
- Smooth hemmed sides for safe handling.
- Custom LED pattern holes available (contact Customer Service).

Application

For use in industrial and garage applications as well as kitchens, offices, and storage rooms.

Ordering Information

Please call 877-257-5841 for price and delivery.

Specifications

Housing

Die-formed heavy-gauge steel

Ends

Snap on tightly to the housing with hole end available for flush ceiling frame mounting

Ballast Cover

Snaps into housing to cover ballast and wires

Finish

Post painted matte white with minimum 92% reflectivity

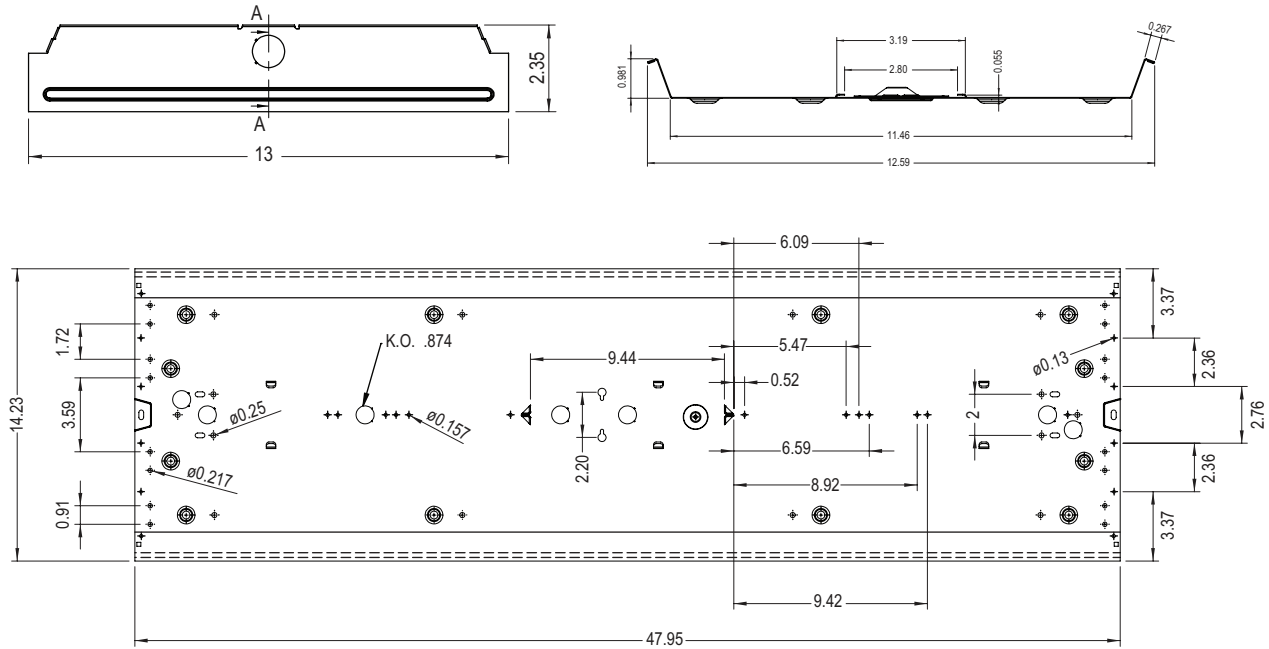
Mounting

Unit may be surface-, stem- or aircraft cable-mounted individually or in continuous rows

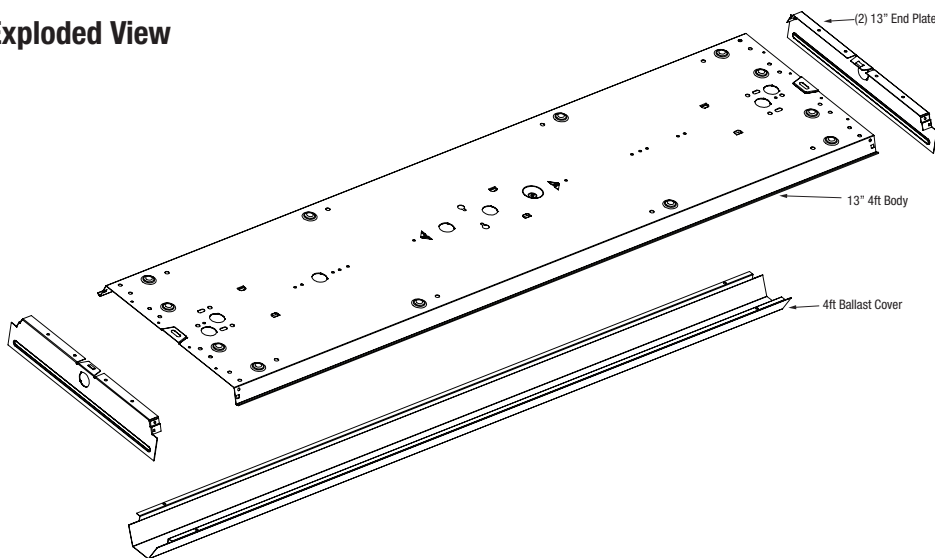
Notice

Dimensions subject to change without notice.
This product is an OEM component kit requiring final assembly by a qualified OEM fixture manufacturer.

Dimensions



Exploded View



WRP 314 4FT			
Part Number	Description	Kit Qty	Qty/Pkt
314-440BB	13" 4ft Body	1	200
314-4EB	13" End Plate	2	
314-40CB	4ft Ballast Cover	1	

Please contact A.L.P. for pricing and delivery. This product is an OEM component kit requiring final assembly by a qualified OEM fixture manufacturer. All specifications subject to change without notice. A.L.P. assumes no responsibility for these materials in any luminaire or application.