

### General Description

The Octagonal Large Area Edgelit Panel is an injection molded component for use in parking garage and area lighting fixtures. It features a 14" diameter round optical area centered in the octagonal-shaped edgelit panel, which measures 15.5" across the flats.

The panel can be lit from any number of the eight sides, allowing for symmetrical and asymmetrical distributions. It offers a wide beam angle, with reduced glare, and a uniformly lit appearance.

### Features and Benefits

- Octagonal edgelit panel with centered round optic.
- Injection molded acrylic for durability and UV resistance.
- Extremely low profile for design flexibility.
- Octagon shape allows for rigid LED board to facilitate alignment and heat sinking.
- Enhances visual comfort.
- 63-degree batwing distribution, ideal for parking garage retrofit.
- Approximates IES distributions 1, 3, 4, 5.
- Can be laser cut to smaller finished sizes upon request.

### Applications

Designed for large area lighting fixtures in applications such as parking garages, retail settings, offices and light industrial locations.

### Lamp Data

The Octagonal Large Area Edgelit Panel is 4mm thick and can be used with any LED source that is less than 4mm in the x or y dimension.

### Service Life

The service life of the Octagonal Large Area Edgelit Panel is virtually unlimited when used within the recommended temperature limit of 70°C.

### Notice

A.L.P. assumes no responsibility for suitability of fixtures and applications.

### Ordering Information

Please call 877-257-5841 for pricing and delivery.

### Specifications

#### Dimensions

Octagon 15.5" across the flats  
Round Optic 14" diameter  
Lens Thickness 4mm

Custom sizes available

#### Standard Material

Acrylic

#### Option

Miro4 reflector

### Fixture Performance for Reference Only

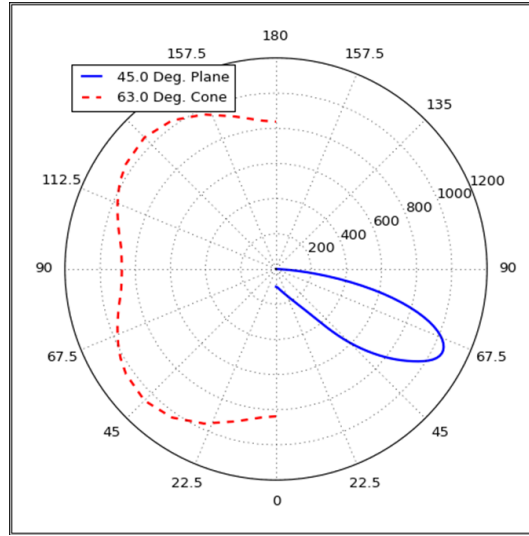
Report Number: 07284A

Issue Date: 02/22/24

Prepared for: A.L.P. LexaLite Brand

Catalog Number: Edgelit Octagon

Luminaire: Parking garage with A.L.P. Octagon Edgelit Parking Garage Lens with Specular Back Diffuser



#### Flux Distribution by Solid Angle

(Per IESNA LM-79-08, Luminaire Classification System for Outdoor Luminaires)

	Percent of Fixture
Forward Light	49.89
FL (0 - 30)	2.06
FM (30 - 60)	20.81
FH (60 - 80)	24.81
FVH (80 - 90)	2.21
Back Light	49.89
BL (0 - 30)	2.06
BM (30 - 60)	20.81
BH (60 - 80)	24.81
BVH (80 - 90)	2.21
Uplight	0.23
UL (90 - 100)	0.06
UH (100 - 180)	0.17
Trapped Light	NaN
Total Flux	100.0

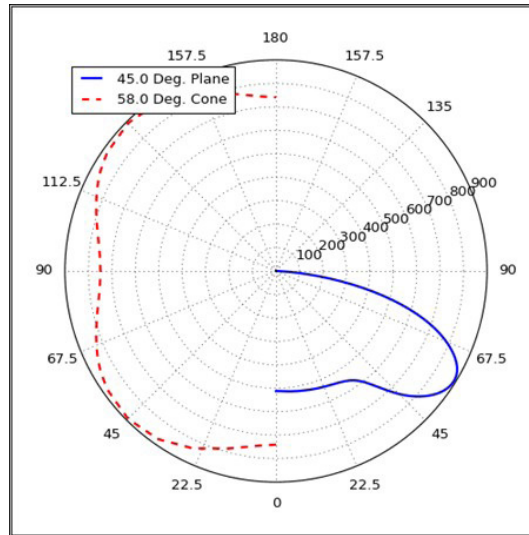
Report Number: 07286A

Issue Date: 02/22/24

Prepared for: A.L.P. LexaLite Brand

Catalog Number: Edgelit Octagon

Luminaire: Parking garage with A.L.P. Octagon Edgelit Parking Garage Lens with Diffuse Back Reflector



#### Flux Distribution by Solid Angle

(Per IESNA LM-79-08, Luminaire Classification System for Outdoor Luminaires)

	Percent of Fixture
Forward Light	49.89
FL (0 - 30)	6.48
FM (30 - 60)	23.54
FH (60 - 80)	18.24
FVH (80 - 90)	1.62
Back Light	49.89
BL (0 - 30)	6.48
BM (30 - 60)	23.54
BH (60 - 80)	18.24
BVH (80 - 90)	1.62
Uplight	0.23
UL (90 - 100)	0.04
UH (100 - 180)	0.18
Trapped Light	NaN
Total Flux	100.0

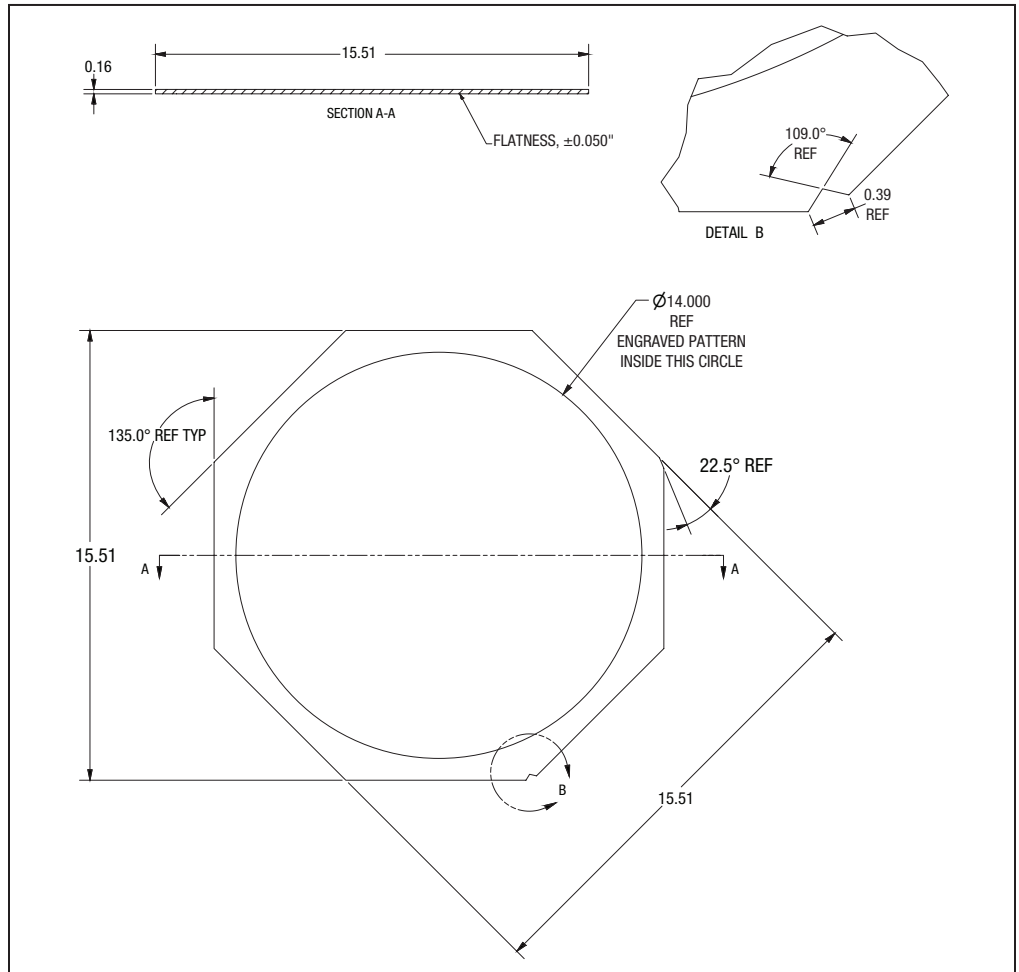
### Materials

See the LexaLite<sup>®</sup> brand price list for current part numbers and material offerings. Up-to-date and detailed material specifications can be found in the Resources section on our website [www.alpadvantage.com](http://www.alpadvantage.com).

### Notice

A.L.P. assumes no responsibility for suitability of these materials in any luminaire or application. Please test for fit and function prior to ordering project quantities.

While A.L.P. utilizes IESNA testing procedures and believes our testing results to be accurate, A.L.P. provides photometry for reference only. Actual results will vary based on the actual light source(s) and power source(s) used, i.e. ballast, driver, generator, etc. and the combinations in which they are used, as well as operating temperatures, and other electrical and environmental variables. We urge that customers perform their own fixture qualifications prior to making performance-based claims. In no event will A.L.P. be liable for any loss or damage, including without limitation, indirect or consequential loss or damage in connection with the use of this information.



*This drawing is for reference only. Actual part dimensions will vary. Customer is urged to review actual samples to confirm fit and function. All specifications and dimensions are subject to change without notice.*