



Specifications

2x2'

Length 23.74"

Width 23.74"

Height 2.24"

Housing

23-gauge steel

Lens

Acrylic technical frosted diffuser with 80% light transmission

Finish

Post painted matte black

General Description

This architectural, recessed troffer luminaire kit is designed to deliver superior glare control and controlled lighting distribution. Featuring a high-performance acrylic diffuser in combination with a baffle optical system, the fixture body is finished with an electrostatically applied polyester powder coat in matte black.

Features and Benefits

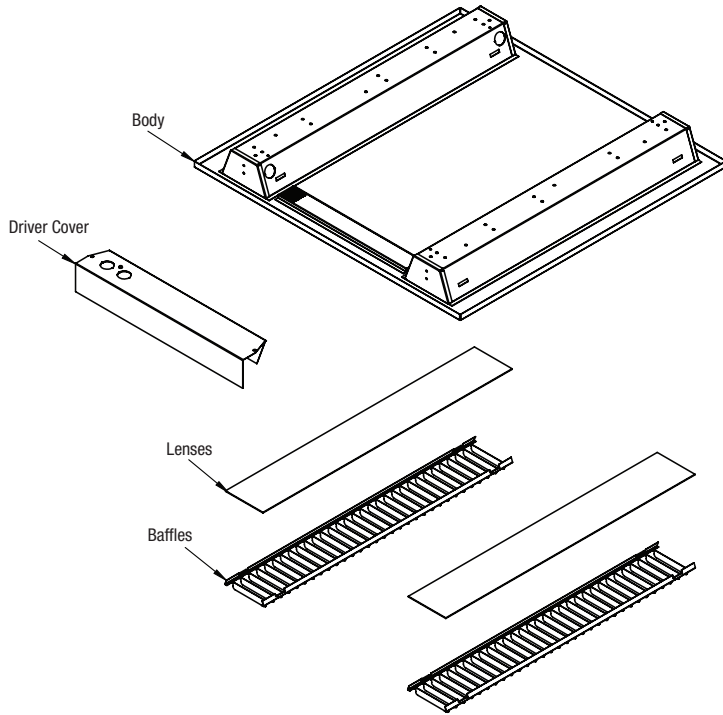
- Recessed installation.
- Post-painted in matte black.
- Formed and welded in 23-gauge steel (0.60mm).
- Acrylic technical frosted diffuser with 80% light transmission.
- Baffle optical system with glare control effect.
- Standard size is 2ft x 2ft.
- Custom LED pattern holes available (contact Customer Service).

Applications

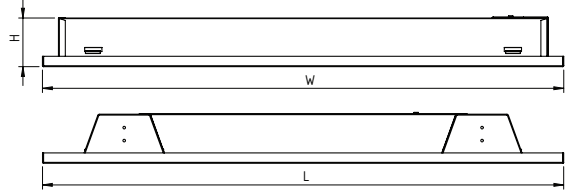
Suitable for interior applications including hospitality, healthcare, education, retail, and office environments.

Please contact A.L.P. for pricing and delivery. A.L.P. will support design and development with customer supplied light engines. All specifications subject to change without notice. A.L.P. Lighting Components, Inc. assumes no responsibility for these materials in any luminaire or application. The product is an OEM component kit requiring final assembly by a qualified OEM fixture manufacturer.

Exploded View



Dimensions



Model	Size	Length	Width	Height
UGR 2x2	2x2	23.74	23.74	2.24

Please contact A.L.P. for pricing and delivery.
 All specifications subject to change without notice. A.L.P. assumes no responsibility for these materials in any luminaire or application.

UGR 2x2		
Part Number	Description	Kit Qty
512 2210	Body	1
512 2261	Driver Cover	1
512 2222	Baffles	2
512 2252	Lens	2
02	Earthquake Protection	4