



Specifications

4" x 4ft

Length 47.01"

Width 4.33"

Height 3.98"

4" x 8ft

Length 94.02"

Width 4.33"

Height 3.98"

Housing

23-gauge steel

Lens

Acrylic technical frosted diffuser

Finish

Post painted matte black

Mounting

Surface or Pendant

General Description

This architectural, high-end luminaire kit is designed with a superior blade/diffuser combination for outstanding glare control and light distribution. Ideal for surface or pendant commercial applications, it is available in multiple sizes and features an optional seamless joiner system for mounting in continuous runs. Its electrostatically applied polyester powder coat has a matte black finish.

Features and Benefits

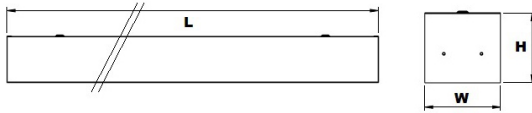
- Pendant or surface installation options, individually or in continuous rows.
- Post-painted in matte black.
- Formed and welded in 23-gauge steel (0.60mm).
- Acrylic technical frosted diffuser with 80% light transmission.
- Baffle optical system with glare control effect.
- Standard sizes are 4"x 4ft and 4"x 8ft, and 2ft lengths may be available (contact Customer Service).
- Custom LED pattern holes available (contact Customer Service).

Applications

Suitable for interior applications including hospitality, healthcare, education, retail, and office environments.

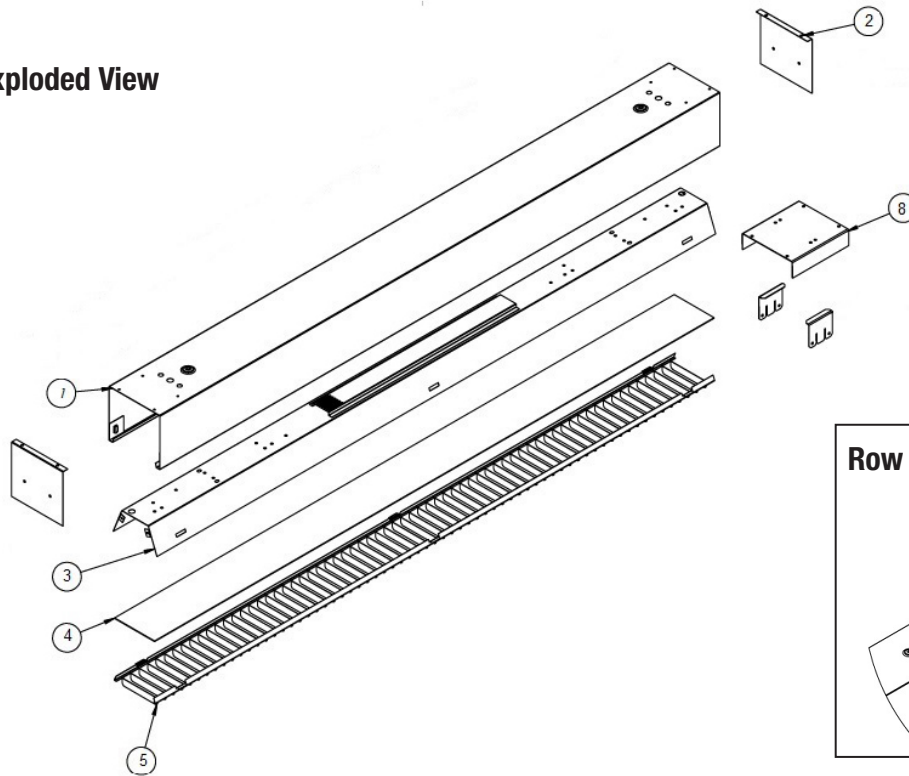
Please contact A.L.P. for pricing and delivery. A.L.P. will support design and development with customer supplied light engines. All specifications subject to change without notice. A.L.P. Lighting Components, Inc. assumes no responsibility for these materials in any luminaire or application. The product is an OEM component kit requiring final assembly by a qualified OEM fixture manufacturer.

Dimensions

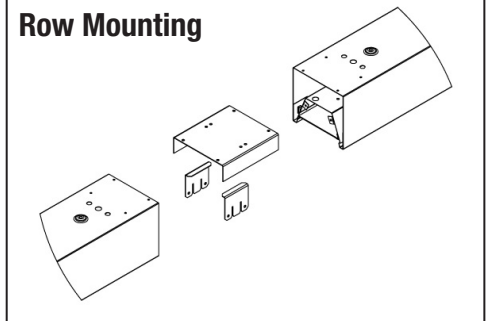


Model	Size	Length	Width	Height
UGR 312	4ft	47.01	4.33	3.98
	8ft	94.02	4.33	3.98

Exploded View



Row Mounting



UGR 312 4" x 2'			UGR 312 4" x 4'			UGR 312 4" x 8'		
Part Number	Description	Qty	Part Number	Description	Qty	Part Number	Description	Qty
312 4210	Body	1	312 4410	Body	1	312 4810	Body	1
312 4231	Headboard	2	312 4231	Headboard	2	312 4231	Headboard	2
312 4206	LED Chassis	1	312 4406	LED Chassis	1	312 4406	LED Chassis	2
312 4252	Acrylic Lens	1	312 4452	Acrylic Lens	1	312 4452	Acrylic Lens	2
312 4222	Baffle	1	312 4422	Baffle	1	312 4422	Baffle	2
Optional Items								
312 4417	Joiner	1	312 4417	Joiner	1	312 4417	Joiner	1

Please contact A.L.P. for pricing and delivery.

All specifications subject to change without notice. A.L.P. assumes no responsibility for these materials in any luminaire or application.