



Specifications

2x2'

Length 23.74"

Width 23.74"

Height 4.17"

2x4'

Length 47.71"

Width 23.74"

Height 4.17"

Housing

23-gauge steel

Finish

Post painted matte white with minimum 92% reflectivity

General Description

The LFT 1200 is a recessed luminaire kit featuring a standard, framed prismatic lens. Designed for commercial and industrial applications, it can work with a variety of LED tube and LED module combinations, a versatile solution for general lighting installations. Its body features a technical post-painted finish with 92% reflectance to deliver outstanding light distribution, lowering maintenance and extending fixture lifetime. The acrylic diffuser helps to distribute light while also reducing glare.

Features and Benefits

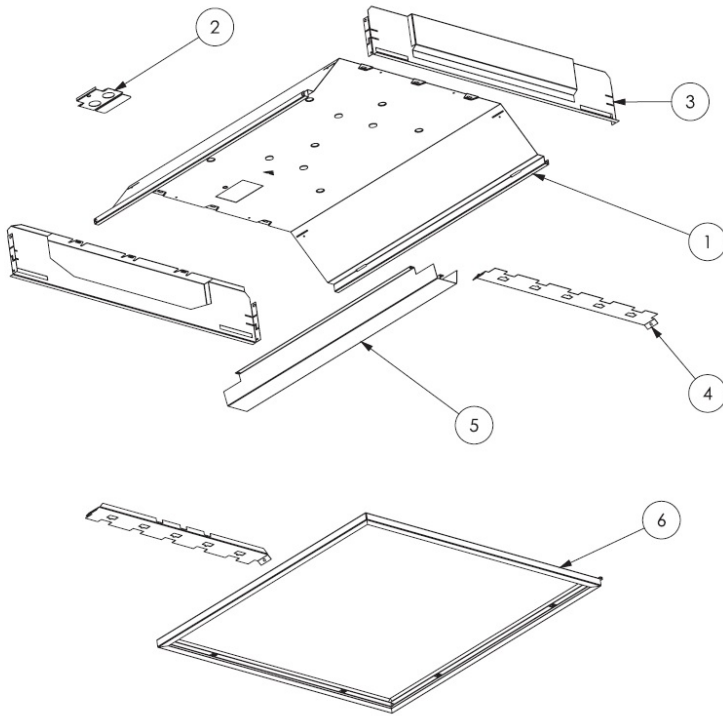
- Recess-mounted installation.
- Accommodates 2, 3, or 4 T8 lamps and U lamps.
- Electrostatically applied polyester powder coat paint in Matte White finish with 92% reflectivity.
- Formed and welded in 23-gauge steel (0.60mm).
- Frame and latch system provides easy access and maintenance.
- Custom LED pattern holes available (contact Customer Service).

Applications

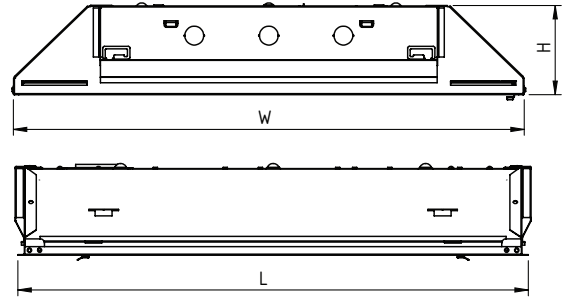
Suitable for interior applications including hospitality, healthcare, education, retail, and office environments.

Please contact A.L.P. for pricing and delivery. A.L.P. will support design and development with customer supplied light engines. All specifications subject to change without notice. A.L.P. Lighting Components, Inc. assumes no responsibility for these materials in any luminaire or application. The product is an OEM component kit requiring final assembly by a qualified OEM fixture manufacturer.

Exploded View



Dimensions



Model	Size	Length	Width	Height
LFT 1200	2x2	23.74	23.74	4.17
	2x4	47.71	23.74	4.17

Please contact A.L.P. for pricing and delivery.
All specifications subject to change without notice. A.L.P. assumes no responsibility for these materials in any luminaire or application.

LFT 1200 2x2			LFT 1200 2x4		
Part Number	Description	Kit Qty	Part Number	Description	Kit Qty
1200 2210	Body	1	1200 2410	Body	1
510 15	Access Plate	1	510 15	Access Plate	1
1200 2231	Headboard	2	1200 2231	Headboard	2
1200 2211	Socket Bracket	2	1200 2211	Socket Bracket	2
1200 2261	Ballast Cover	1	1200 2461	Ballast Cover	1
200 2208	Lens Frame	1	200 2408	Lens Frame	1
200 2296	Right Latch	1	200 2296	Right Latch	1
200 2297	Left Latch	1	200 2297	Left Latch	1