



### General Description

This narrow linear luminaire kit is designed for hallways, corridors, lobbies, and office areas. Installation is recessed, and it can be row-mounted with an optional joiner system. The acrylic matte diffuser offers superior light diffusion and efficacy. Offered in several size options, its technical post-painted finish with 92% reflectance reduces maintenance and is durable and efficient.

### Features and Benefits

- Recessed installation, individually or in continuous rows.
- Post-painted in matte white finish with 92% reflectance.
- Formed and welded in 23-gauge steel (0.60mm).
- Acrylic technical frosted diffuser with 80% light transmission.
- Standard sizes are 4"x 4ft and 4"x 8ft, and 2ft lengths may be available (contact Customer Service).
- Custom LED pattern holes available (contact Customer Service).

### Applications

Suitable for interior applications including hallways, corridors, lobbies, and office areas

### Specifications

#### 4" x 2ft

Length 23.10"

Width 3.90"

Height 4.14"

Width Total 4.72"

#### 4" x 4ft

Length 46.30"

Width 3.90"

Height 4.14"

Width Total 4.72" "

#### 4" x 8ft

Length 92.48"

Width 3.90"

Height 4.14"

Width Total 4.72"

### Housing

23-gauge steel

### Lens

Acrylic technical frosted diffuser

### Finish

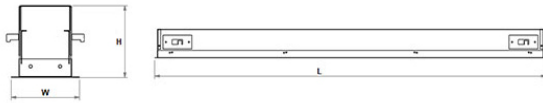
Post-painted in matte white finish

### Mounting

Recessed

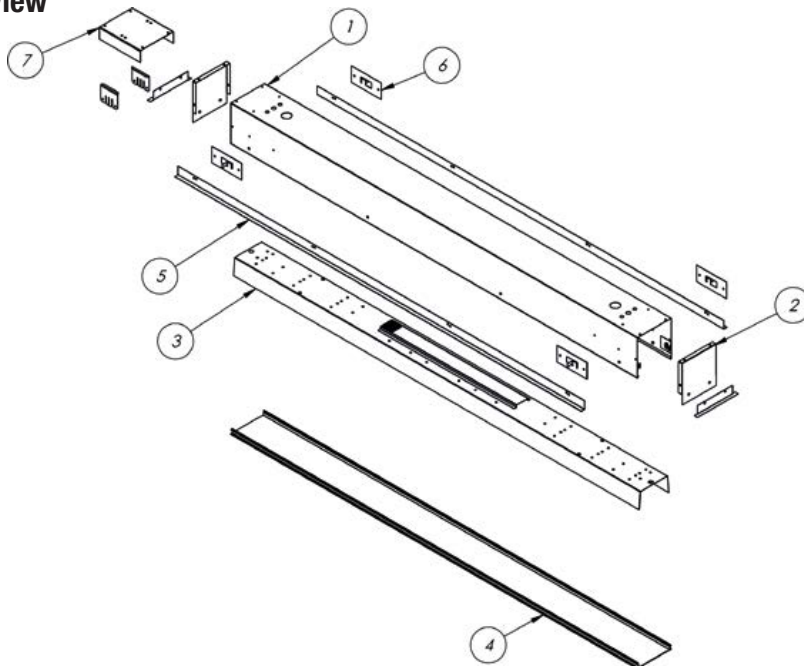
*Please contact A.L.P. for pricing and delivery. A.L.P. will support design and development with customer supplied light engines. All specifications subject to change without notice. A.L.P. Lighting Components, Inc. assumes no responsibility for these materials in any luminaire or application. The product is an OEM component kit requiring final assembly by a qualified OEM fixture manufacturer.*

### Dimensions



Model	Size	Length	Width	Height	Width Total
LAL 3552 4"	2ft	23.10	3.90	4.14	4.72
	4ft	46.30	3.90	4.14	4.72
	8ft	92.48	3.90	4.14	4.72

### Exploded View



LAL 3552 4" x 2FT			LAL 3552 4" x 4FT			LAL 3552 4" x 8FT		
Part Number	Description	Qty	Part Number	Description	Qty	Part Number	Description	Qty
3552 4210	Body	1	3552 4410	Body	1	3552 4810	Body	1
3552 4231	Headboard	2	3552 4231	Headboard	2	3552 4231	Headboard	2
3552 4206	LED Chassis	1	3552 4406	LED Chassis	1	3552 4406	LED Chassis	1
3552 4205	Ceiling Frame	1	3552 4405	Ceiling Frame	1	3552 4805	Ceiling Frame	1
02	Earthquake Protection	4	02	Earthquake Protection	4	02	Earthquake Protection	4
<b>Optional Items</b>								
552 4252	4" Flat Lens	1	552 4452	4" Flat Lens	1	552 4452	4" Flat Lens	2
3552 4217	Joiner	1	3552 4217	Joiner	1	3552 4217	Joiner	1

Please contact A.L.P. for pricing and delivery.

All specifications subject to change without notice. A.L.P. assumes no responsibility for these materials in any luminaire or application.