



Specifications

2" x 2ft

Length 23.50"

Width 2.50"

Height 3.41"

2" x 4ft

Length 47.01"

Width 2.50"

Height 3.41"

Housing

23-gauge steel

Lens

Acrylic technical frosted diffuser

Finish

Post painted matte white with minimum 92% reflectivity

Mounting

Surface or Pendant

General Description

This narrow linear luminaire kit is designed for hallways corridors, lobbies, and office areas. Used as a surface or pendant, it can be row mounted with an optional joiner system. Offered in several size options, its technical post-painted finish with 92% reflectance reduces maintenance and is durable and efficient.

Features and Benefits

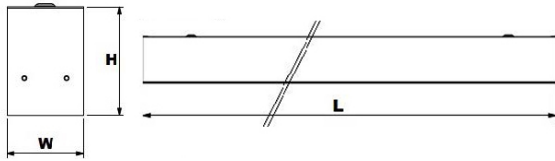
- Pendant or surface installation options.
- Electrostatically applied polyester powder coat paint in Matte White finish with 92% reflectivity.
- Formed and welded in 23-gauge steel (0.60mm).
- Standard size is 2"x4ft and a 2"x2ft option may be available (contact Customer Service).
- Acrylic technical frosted diffuser with 80% light transmission.
- Installed individually or in continuous rows.
- Custom LED pattern holes available (contact Customer Service).

Applications

Suitable for interior applications including hospitality, healthcare, education, retail, and office environments.

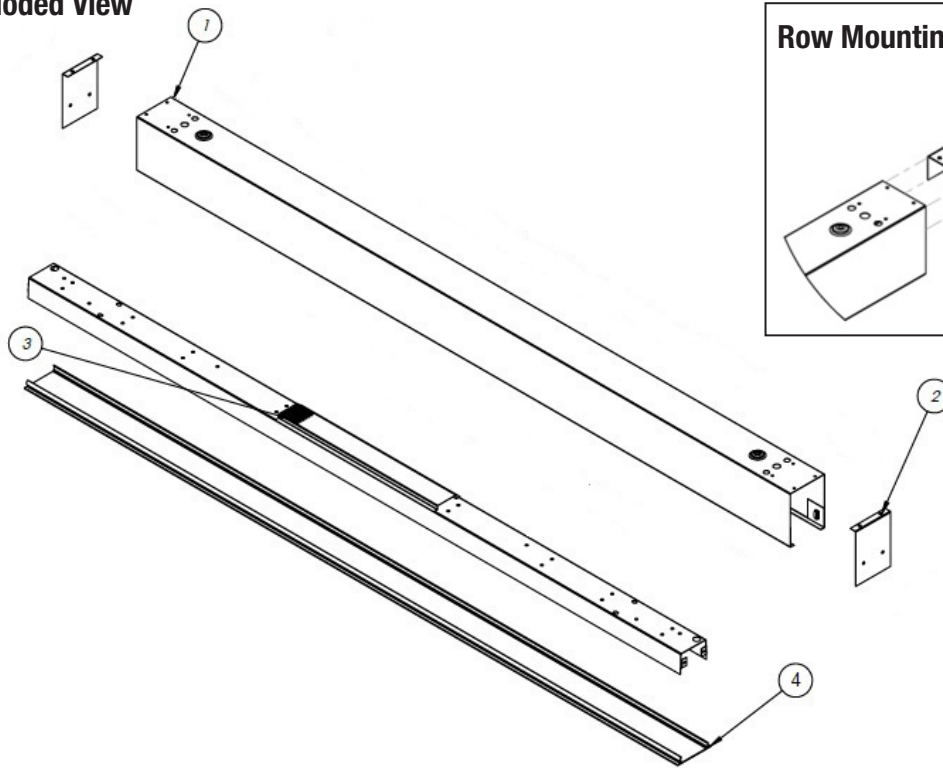
Please contact A.L.P. for pricing and delivery. A.L.P. will support design and development with customer supplied light engines. All specifications subject to change without notice. A.L.P. Lighting Components, Inc. assumes no responsibility for these materials in any luminaire or application. The product is an OEM component kit requiring final assembly by a qualified OEM fixture manufacturer.

Dimensions

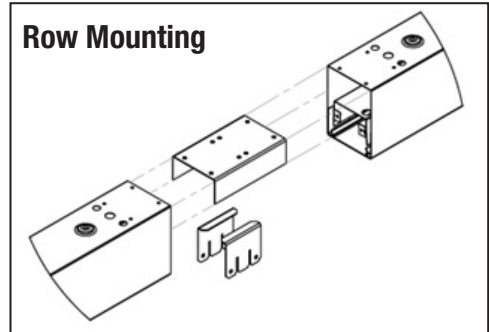


Model	Size	Length	Width	Height
LAL 3352 2"	2ft	23.50	2.50	3.41
	4ft	47.01	2.50	3.41

Exploded View



Row Mounting



LAL 3352 2" x 2FT			LAL 3352 2" x 4FT		
Part Number	Description	Kit Qty	Part Number	Description	Kit Qty
3352 2210	Body	1	3352 2410	Body	1
3352 2231	Headboard	2	3352 2231	Headboard	1
3352 2206	LED Chassis	1	3352 2406	LED Chassis	1
Optional					
375 2252	Extruded Lens	1	375 2452	Extruded Lens	1
3352 2217	Joiner	1	3352 2217	Joiner	1

Please contact A.L.P. for pricing and delivery.

All specifications subject to change without notice. A.L.P. assumes no responsibility for these materials in any luminaire or application.