



General Description

The LAL 2474 round linear unwired fixture kits are shaped for unsurpassed light distribution without shadows and are especially suited for commercial and industrial applications. Supplied in a variety of size options, they can be row mounted, and installed via surface or pendant mounting. The technical ribbed acrylic diffuser delivers outstanding light distribution and high light output. Its technical post-painted finish with 92% reflectance reduces maintenance and is durable and efficient.

Features and Benefits

- Pendant or surface-mounted installation options.
- Electrostatically applied polyester powder coat paint in matte white finish with 92% reflectivity.
- Formed and welded in 23-gauge Steel (0.60mm).
- Standard lengths are 4ft and 8ft, and 2ft lengths may be available (contact Customer Service).
- Acrylic technical ribbed diffuser with 90% light transmission.
- Installed individually or in continuous rows.
- Custom LED pattern holes available (contact Customer Service).

Applications

Suitable for interior applications including hospitality, healthcare, education, retail, and office environments.

Specifications

4'

Length 46.29"

Width 3.77"

Height 3.77"

8'

Length 92.48"

Width 3.77"

Height 3.77"

Housing

23-gauge steel

Lens

Acrylic technical ribbed diffuser

Finish

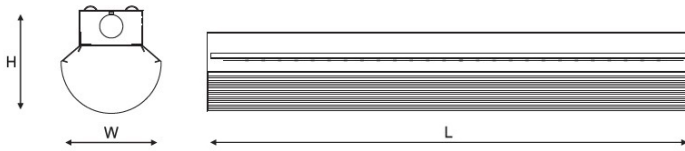
Post painted matte white with minimum 92% reflectivity

Mounting

Ceiling, Surface or Pendant

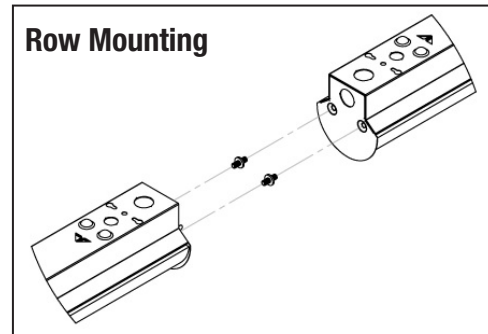
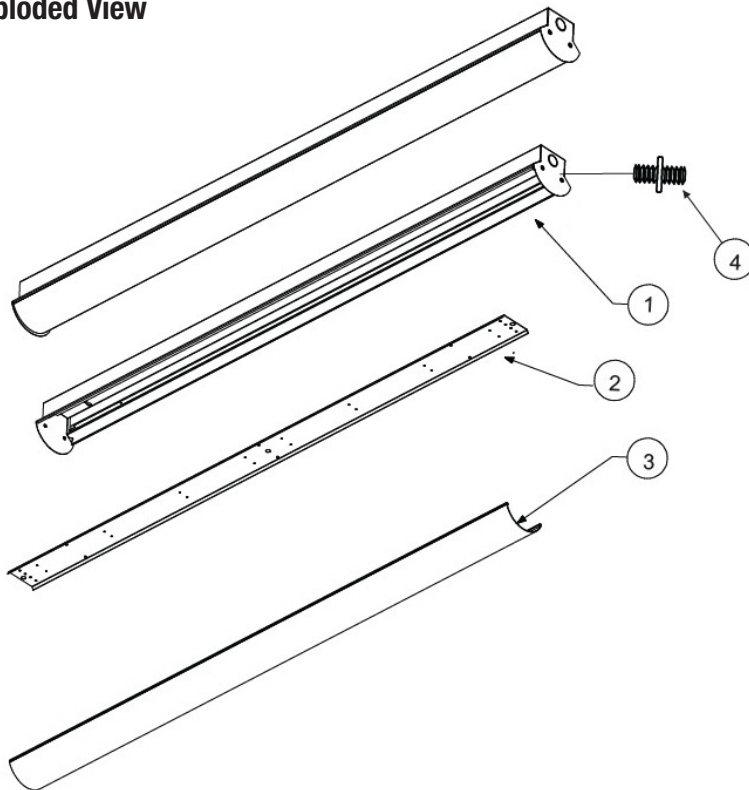
Please contact A.L.P. for pricing and delivery. A.L.P. will support design and development with customer supplied light engines. All specifications subject to change without notice. A.L.P. Lighting Components, Inc. assumes no responsibility for these materials in any luminaire or application. The product is an OEM component kit requiring final assembly by a qualified OEM fixture manufacturer.

Dimensions



Model	Size	Length	Width	Height
LAL 2474	4ft	46.29	3.77	3.77
	8ft	92.48	3.77	3.77

Exploded View



LAL 2474 4FT ASD			LAL 2474 8FT ASD		
Part Number	Description	Kit Qty	Part Number	Description	Kit Qty
2474 1410	Body	1	2474 1810	Body	1
2380 17	Joiner	2	2380 17	Joiner	2
2474 1406	Fluorescent/LED Chassis	1	2474 1406	Fluorescent/LED Chassis	2

Optional items

Part Number	Description	Qty
474 2452	4FT Curved Lens	1

Please contact A.L.P. for pricing and delivery.
All specifications subject to change without notice. A.L.P. assumes no responsibility for these materials in any luminaire or application.