



Specifications

2" x 90°

Length 24.06"

Width 24.06"

Height 3.39"

Housing

23-gauge steel

Lens

Acrylic technical frosted diffuser

Finish

Post painted matte white with minimum

92% reflectivity

Mounting

Surface or Pendant

General Description

LAL 2" 90° is a linear architectural fixture kit for corner applications. It can be surface-mounted or suspended, adding variety and multiple options for installation. Its unique design is eye-catching and delivers high quality illumination. An optional seamless joiner system allows for mounting in continuous runs. The high quality, post-painted finish features 92% reflectance, delivering superior light distribution, lowering maintenance and ensuring long fixture life.

Features and Benefits

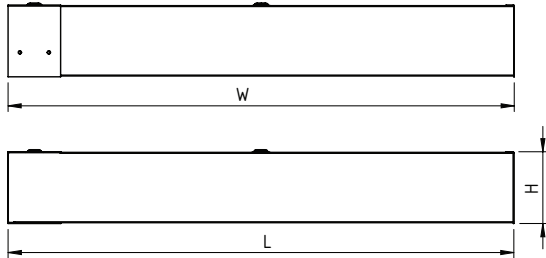
- Pendant, surface, or recessed installation options.
- 90° curved corner piece for square and curved installations.
- Formed and welded in 23-gauge steel (0.60mm).
- Post-painted in matte white finish with 92% reflectance.
- Custom LED pattern holes available (contact Customer Service).

Applications

Suitable for interior applications including hospitality, healthcare, education, retail, and office environments.

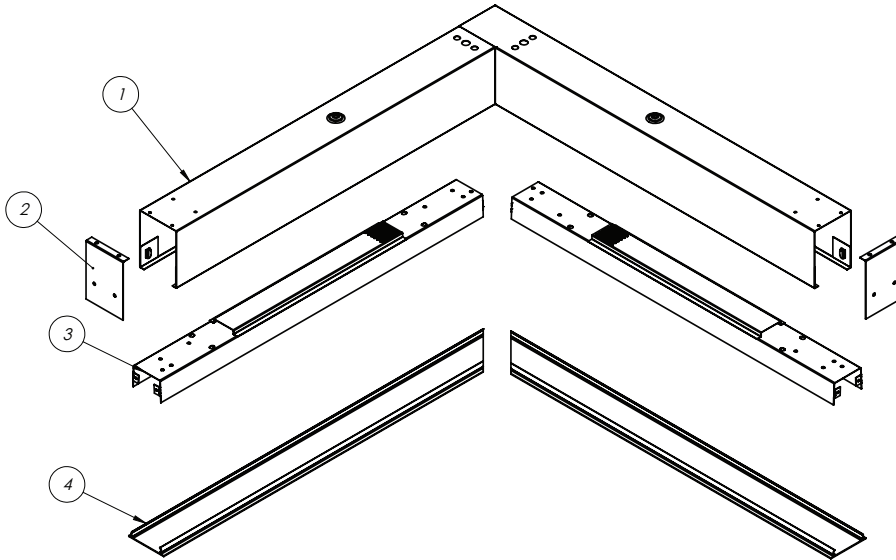
Please contact A.L.P. for pricing and delivery. A.L.P. will support design and development with customer supplied light engines. All specifications subject to change without notice. A.L.P. Lighting Components, Inc. assumes no responsibility for these materials in any luminaire or application. The product is an OEM component kit requiring final assembly by a qualified OEM fixture manufacturer.

Dimensions



Model	Size	Length	Width	Height
LAL 2" x 90°	2" x 90°	24.06	24.06	3.39

Exploded View



Part Number	Description	Qty
3352 29010	Body	1
3352 2231	Headboard	2
3352 29006	LED Chassis	2
375 29052	Extruded Lens	2
Optional		
3352 2217	Joiner	1

Please contact A.L.P. for pricing and delivery.
 All specifications subject to change without notice. A.L.P. assumes no responsibility for these materials in any luminaire or application.