



Specifications

4'

Length 47.95"

Width 4.21"

Height 1.93"

8'

Length 95.80"

Width 4.21"

Height 1.93"

Housing

23-gauge steel

Finish

Post painted matte white with minimum
92% reflectivity

Mounting

Surface mounted

General Description

The FS100 standard economy commercial LED strip fixture kit, suitable for commercial or industrial environments, is offered in a variety of sizes and combinations. Used in surface-mounted applications, its body features a technical post-painted finish with 92% reflectance to deliver outstanding light distribution, lower maintenance, and extend fixture lifetime.

Features and Benefits

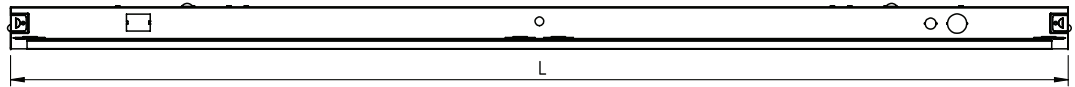
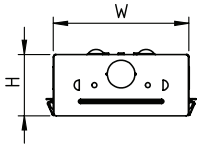
- Surface-mounted installation.
- Electrostatically applied polyester powder coat paint in Matte White finish with 92% reflectivity.
- Formed and welded in 23-gauge steel (0.60mm).
- Standard lengths are 4ft and 8ft, and a 2ft option may be available (contact Customer Service).
- Sockets with 2 x T8 lamps standard.
- Other socket configurations and lamp options may be available (contact Customer Service).
- End caps used as joiners for continuous-run installations.

Applications

Suitable for interior applications including hospitality, healthcare, education, retail, and office environments.

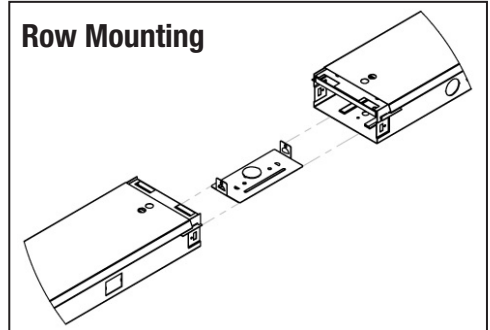
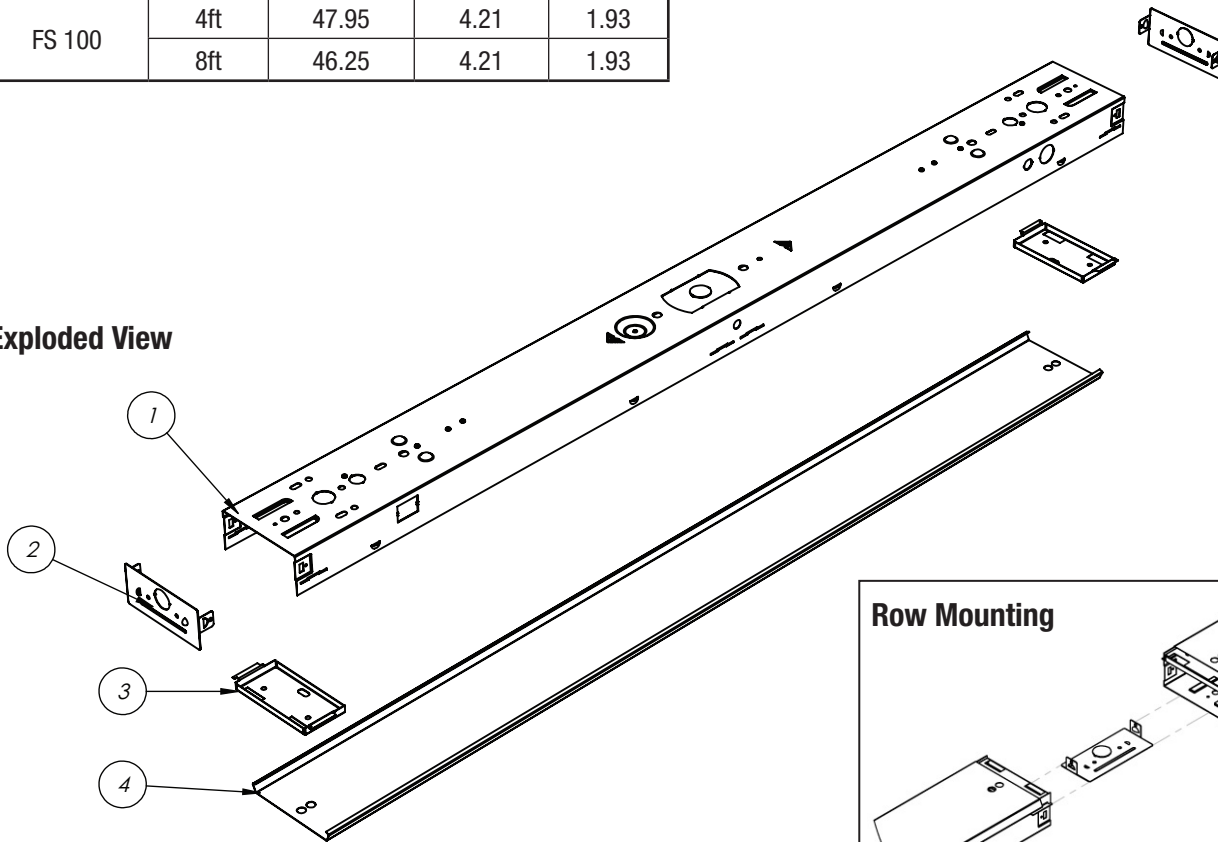
Please contact A.L.P. for pricing and delivery. A.L.P. will support design and development with customer supplied light engines. All specifications subject to change without notice. A.L.P. Lighting Components, Inc. assumes no responsibility for these materials in any luminaire or application. The product is an OEM component kit requiring final assembly by a qualified OEM fixture manufacturer.

Dimensions



Model	Size	Length	Width	Height
FS 100	4ft	47.95	4.21	1.93
	8ft	46.25	4.21	1.93

Exploded View



FS 100 4FT			FS 100 8FT		
Part Number	Description	Kit Qty	Part Number	Description	Kit Qty
100 1410	Body	1	100 1810	Body	1
100 31	End Plate	2	100 31	End Plate	2
100 1461	Ballast Cover	1	100 1461	Ballast Cover	2
128 11	Socket Plate	2	128 11	Socket Plate	4

Please contact A.L.P. for pricing and delivery.
 All specifications subject to change without notice. A.L.P. assumes no responsibility for these materials in any luminaire or application.