



Specifications

2x2'

Length 23.74"

Width 23.74"

Height 4.76"

2x4'

Length 47.71"

Width 23.74"

Height 4.76"

Housing

23-gauge steel

Finish

Post painted matte white with minimum 92% reflectivity

General Description

DTS 2517 is a deep center basket direct/indirect recessed luminaire offered in multiple sizes. It combines deep reflectors with a perforated diffuser that controls the glare and delivers a unique light distribution. Designed for commercial and industrial building applications, it features a technical post-painted finish with 92% reflectance, reducing maintenance while also being durable and efficient.

Features and Benefits

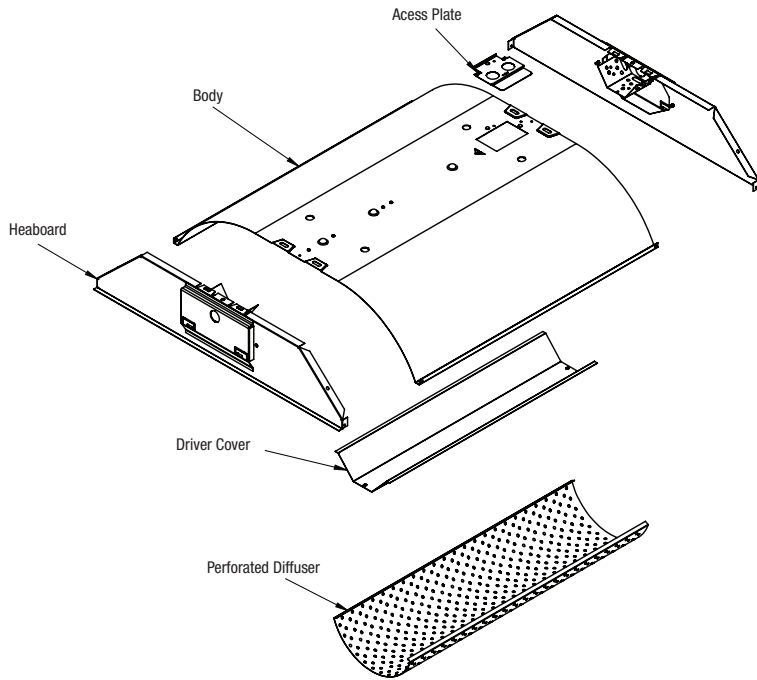
- Recessed installation.
- Post-painted in matte white finish with 92% reflectance.
- Perforated diffuser, with 60% open area.
- Formed and welded in 23 Gauge steel (0.60mm).
- Standard sizes are 1ft x 4ft, 2ft x 2ft and 2ft x 4ft.
- Easy, tool-free removal of diffuser.
- Custom LED pattern holes available (contact Customer Service).

Applications

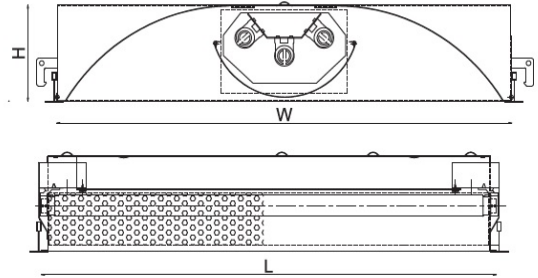
Suitable for interior applications including hospitality, healthcare, education, retail, and office environments.

Please contact A.L.P. for pricing and delivery. A.L.P. will support design and development with customer supplied light engines. All specifications subject to change without notice. A.L.P. Lighting Components, Inc. assumes no responsibility for these materials in any luminaire or application. The product is an OEM component kit requiring final assembly by a qualified OEM fixture manufacturer.

Exploded View



Dimensions



Model	Size	Length	Width	Height
DTS 2517	2x2	23.74	23.74	4.76
	2x4	47.71	23.74	4.76

Please contact A.L.P. for pricing and delivery.
 All specifications subject to change without notice. A.L.P. assumes no responsibility for these materials in any luminaire or application.

Kit Part No	Description	Part No	Qty
DTS 2517 2'x 2' CKD	Body	2517 2210	1
	Heaboard	2517 2231	2
	Ballast Cover	2517 2261	1
	Perforated Diffuser	1517 2282	1
	Access plate	510 15	1
DTS 2517 2'x 4' CKD	Body	2517 2410	1
	Heaboard	2517 2231	2
	Ballast Cover	2517 2461	1
	Perforated Diffuser	1517 2482	1
	Access plate	510 15	1