



4MTARSMI lens, FEPW end plug and LPC latches shown.

## Description

The Sentry<sup>®</sup> series is A.L.P.'s flagship Gasketed Enclosure. For general purpose and energy-efficient surface or suspended Fluorescent and LED enclosure, suitable for wet, damp, dusty and cold applications. Gear Tray choices of 1 and 2 rows include Tube types (fluorescent and LED) or use of LED linear boards attached to your choice of flat or angled gear trays. Truly a multi-purpose use enclosure for many solutions.

## Applications

Ideal for use in dusty, dirty and/or wet environments including food processing, cold storage, kitchens, parking garages, car washes, covered canopies, pedestrian tunnels, concourse, industrial, and horticulture spaces.

For applications where the temperatures may exceed 80° C, A.L.P. recommends the use of stainless steel traylats. (i.e. three lamp/row fixtures)

## Certifications

- UL/cUL recognized component
- Wet Location listed
- NSF - ANSI Standard 2
- NEMA4X\*
- IP65 and IP66 rated\*

*\*Barricade lens and approved pressure vent required.*

## Features

- Rigid one-piece housing construction.
- Two ¼-28 brass studs molded into back of housing for attachment of optional mounting brackets.
- En-seal™ gasketing provides superior resistance to moisture absorption versus conventional gasketing.
- Lens retained by eight suitcase style latches.
- Molded latch pockets compatible with standard and tamper-proof latches in stainless steel and polycarbonate.
- Gear trays secured to #10-32 brass studs molded into housing via threaded hex steel mounting standoffs.
- Gear tray mounts to #10-32 brass stud molded into housing by two plastics or steel Traylats. for easy, tool-less removal.
- LED Module tray available for one and two rows of nominal 22" LED boards.
- Gear tray suspends from housing by two security straps during servicing.
- 4ft Sentry LED Parking Garage is in Parking Garage Compliance when the Sentry 4ft LED Angled Gear Tray (SENTGT4P38LED) is paired with the Sentry 4ft Parking Garage Reflector (SENTGT4P38REF).

## Housing

Compression molded self-extinguishing fiberglass reinforced polyester compound with UL 5VA flame rating (ASTM D635-74) for gear tray types, and UL HB flame rating for strip types. F1 weatherability rating.

## Gasketing

En-Seal™ continuous perimeter poured gasket assures lens seal to housing.

## Electrical Chassis

Gear trays constructed of 83% reflective, 22-gauge, pre-painted steel.

## Conduit Entry

Standard housings available with one 7/8" conduit entry point on either or both ends. Consult Sales for other opening sizes or for top openings.

## Lens

Inline thermoformed lenses available in tapered, shallow and deep profiles or crepe pattern acrylic, DR reinforced acrylic, frost acrylic, or prismatic polycarbonate.

## Mounting

Standard stainless steel mounting brackets (BRKTS22PK) clip to housing for surface or all-thread pendant mounting. Consult sales for chain or cable mounting.

A.L.P. submitted this fixture for wet location testing in the horizontal surface mounted position. Any other operating position should be test verified by the OEM.

Please contact A.L.P. for pricing and delivery.

All specifications subject to change without notice. A.L.P. assumes no responsibility for these materials in any luminaire or application.

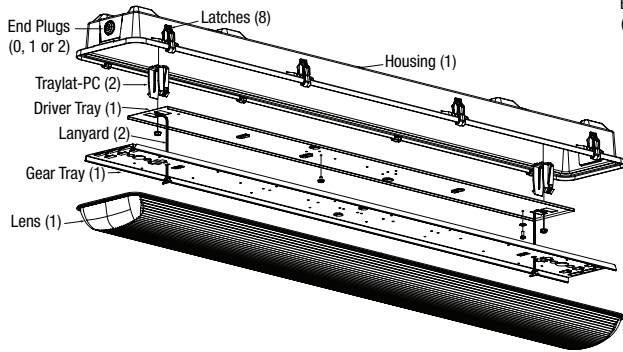
The product is an OEM component kit requiring final assembly by a qualified OEM fixture manufacturer.

Sealant required for wet location use.

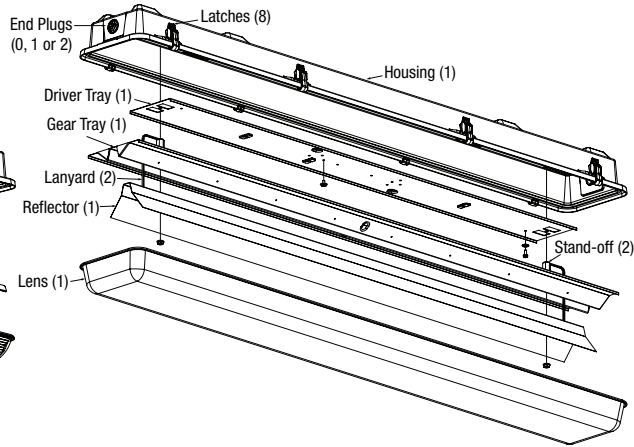
For Nema 4X, IP65 and IP 66 a UL recognized component (NITW2) breather vent rated Type 4X is required

### EXPLODED VIEWS

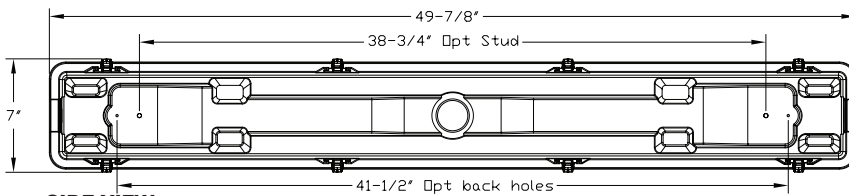
4ft Sentry LED or Fluorescent (Gear Tray Type)



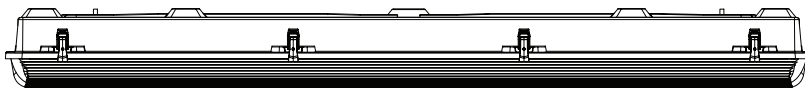
4ft Sentry LED Parking Garage



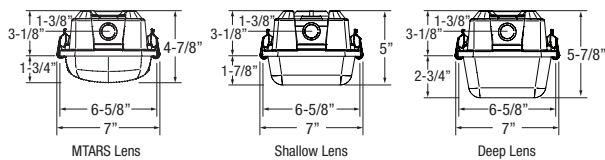
### TOP VIEW



### SIDE VIEW



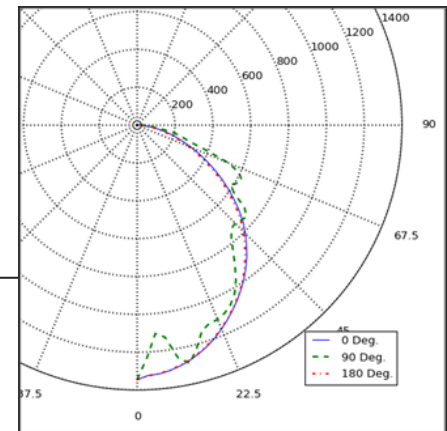
### END VIEW



### Fixture Performance for Reference Only

(See photometry)

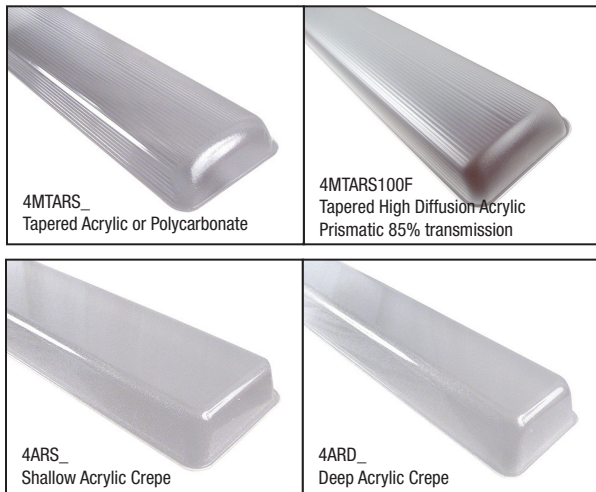
Sentry 4' with A/C Barricade Lens	
Specification	4' Sentry
Input Wattage	28.241
Delivered Lumens (lms)	3527.18
Efficacy (LpW)	125.077
Voltage (V)	120-277v
Operating Frequency (Hz)	50/60



### Notice

A.L.P. assumes no responsibility for suitability of these materials in any luminaire or application. Please test for fit and function prior to ordering project quantities.

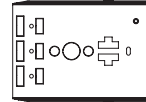
While A.L.P. utilizes IESNA testing procedures and believes our testing results to be accurate, A.L.P. provides photometry for reference only. Actual results will vary based on the actual light source(s) and power source(s) used, i.e. ballast, driver, generator, etc. and the combinations in which they are used, as well as operating temperatures, and other electrical and environmental variables. We urge that customers perform their own fixture qualifications prior to making performance-based claims. In no event will A.L.P. be liable for any loss or damage, including without limitation, indirect or consequential loss or damage in connection with the use of this information.



<b>HOUSING (Select One)</b>		
Part Number	Description (Requires 8 latches per housing)	Packaging
4F-28-GT	4ft LED & Fluorescent Gear Tray Type 5VA Housing (2 end holes)	30 pcs carton; 120 pcs pallet
4F-28	4ft Sentry HB Housing 7/8" hole on both ends <sup>1</sup>	30 pcs carton; 120 pcs pallet
<b>LENS (Select one)</b>		
Part Number	Description	Packaging
4MTARS100F	4ft Tapered Lens, AC 100% FROST	30 pcs carton; 360 pcs pallet
4MTARSHI	4ft Tapered Lens, AC/HI-IMPACT	30 pcs carton; 360 pcs pallet
4MTARSMI	4ft Tapered Lens, AC/MED IMPACT	30 pcs carton; 360 pcs pallet
4ARS00	4ft Shallow Lens, AC/HI-IMPACT	30 pcs carton; 360 pcs pallet
4ARS15	4ft Shallow Lens, AC/MED-IMPACT, Crepe Pattern	30 pcs carton; 360 pcs pallet
4ARD15	4ft Deep Lens, AC/MED-IMPACT, Crepe Pattern	30 pcs carton; 360 pcs pallet
<b>GEAR TRAY<sup>®</sup> (Select one)</b>		
Part Number	Description	Packaging
SENTRYGT4U	4ft Fluorescent and LED Tube Flat Gear Tray, 2 Row	Bulk packaging
SENTGT4-LED-2B	4ft LED Flat Gear Tray, 1 Row (To customize, submit gear tray blank dwg/model w/ details)	Bulk packaging
SENTGT4-LED-4B	4ft LED Flat Gear Tray, 2 Row (To customize, submit gear tray blank dwg/model w/ details)	Bulk packaging
SENTGT4P38LED	4ft LED Angled LED, Parking Garage, 2 Row (To customize, submit gear tray blank dwg/model w/ details)	Bulk packaging
<b>CENTER REFLECTOR (Select one)</b>		
Part Number	Description	Packaging
SENTGT4P38REF	4FT LED Parking Garage Reflector (to achieve Parking Garage compliance, use SENTGT4P38LED & SENTGT4P38REF together)	Bulk packaging
<b>DRIVER TRAY<sup>®</sup> (Select one)</b>		
Part Number	Description	Packaging
SENTGT4-LED-B	4FT LED Driver Tray - 2 Row	Bulk packaging
SENTGT4-LED-BL	4FT LED Driver Tray - 1 Row	Bulk packaging
<b>LATCHES (Select one)</b>		
Part Number	Description (Requires 8 latches per housing)	Packaging
LPC	White polycarbonate latch	30 pcs bag; 990 pcs carton <sup>4</sup>
LPCTP3	Tamper-proof white polycarbonate latch with nut and screw	30 pcs bag; 990 pcs carton <sup>4</sup>
LSS-3	Stainless steel latch	30 pcs bag; 480 pcs carton <sup>4</sup>
LSS-3TP	Tamper-proof stainless steel latch with nut and screw	30 pcs bag; 480 pcs carton <sup>4</sup>
<b>WIRE ENTRY PLUGS (Select none, one or two depending on housing selected)</b>		
Part Number	Description	Packaging
FEPW	White 7/8" dry location plug	40 pcs bag; 5000 pcs carton <sup>4</sup>
LTP088 <sup>1</sup>	White 7/8" liquid tight plug	30 pcs bag; 1800 pcs carton <sup>4</sup>
DC-2S <sup>1</sup>	7/8" die cast aluminum fitting assembly for 1/2" rigid conduit	30 pcs inner carton; 240 pcs carton <sup>4</sup>
<b>HOUSING MOUNTING BRACKET (Select one)</b>		
Part Number	Description	Packaging
BRKTS22PK	Sentry stainless steel strap bracket, 2-pack	60 pcs bag; 4960 pcs carton <sup>4</sup>
<b>MISCELLANEOUS PARTS</b>		
Part Number	Description	Packaging
TRAYLAT-PC	White polycarbonate gear tray mounting clip (NUT1001 Required)	60 pcs bag; 990 pcs carton <sup>4</sup>
TRAYLATSS <sup>2</sup>	Stainless steel gear tray mounting clip (NUT1001 Required)	60 pcs bag; 990 pcs carton <sup>4</sup>
10-32MFSTANDOFF	Threaded hex steel mounting standoff for 1-row LED module gear tray	120 pcs bag <sup>4</sup>
LANYARD	White nylon security strap	30 pcs bag; 4800 pcs carton <sup>4</sup>
<b>HARDWARE<sup>®</sup></b>		
Part Number	Description	
NUT1001	#10-32x3/8" steel hex locking nut for TRAYLAT attachment to housing	
TAMPER BIT 3	Driver bit for TAMPERPRUF screw used in LPCTP3 & LSS-3TP	
TAMPER BIT 8	Driver bit for tamper-proof snake eye drive screw, compatible with LSS-3	

- Sealant required for wet location use.
- A.L.P. recommends using TRAYLATSS for three lamp fixtures.
- HB rated material are not acceptable for use as an electrical enclosure, they require an internal metal enclosure "strip fixture".
- Orders must be ordered in bag or carton qty's.
- If hardware is purchased through ALP the MOQ will be based on the outsourced vendor MOQ's
- For custom hole/feature patterns, supply Order Sheet to BBS or Customer Service Representative.

#### GEAR TRAYS



SENTRYGT4U-LED



SENTGT4-LED-B

#### LATCHES



LPC



LPCTP3



LSS-3



LSS-3TP

#### WIRE ENTRY PLUGS



FEPW

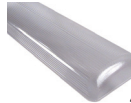


LTP088<sup>1</sup>

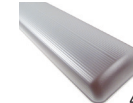


DC-2S<sup>1</sup>

#### LENSES



4MTARS\_



4MTARS100F



4ARS\_



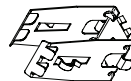
4ARD15

#### HOUSING MOUNTING BRACKETS

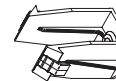


BRKTS22PK

#### MISCELLANEOUS PARTS



TRAYLATSS<sup>2</sup>

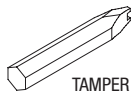


TRAYLAT-PC



LANYARD

#### HARDWARE



TAMPER BIT 8



TAMPER BIT 3