



Specification Features

4'

Length 48.11"

Width 11"

Height 4"

8'

Length 94.17"

Width 11"

Height 4"

Housing

22-Gauge Steel

Lens

Acrylic technical frosted diffuser

Finish

Post painted matte white with minimum 92% reflectivity

Mounting

Pendant mount or continuous row

General Description

The PLIN linear oval architectural luminaire kit, with its specific contemporary design, provides direct and indirect light for your interior environment. Painted in matte white finish to guarantee a high reflectance and smooth light output. The rounded technical acrylic diffuser with 90% light transition hides the LED image and spreads the light evenly throughout the lit space. Can be mounted individually or in continuous row.

Features and Benefits

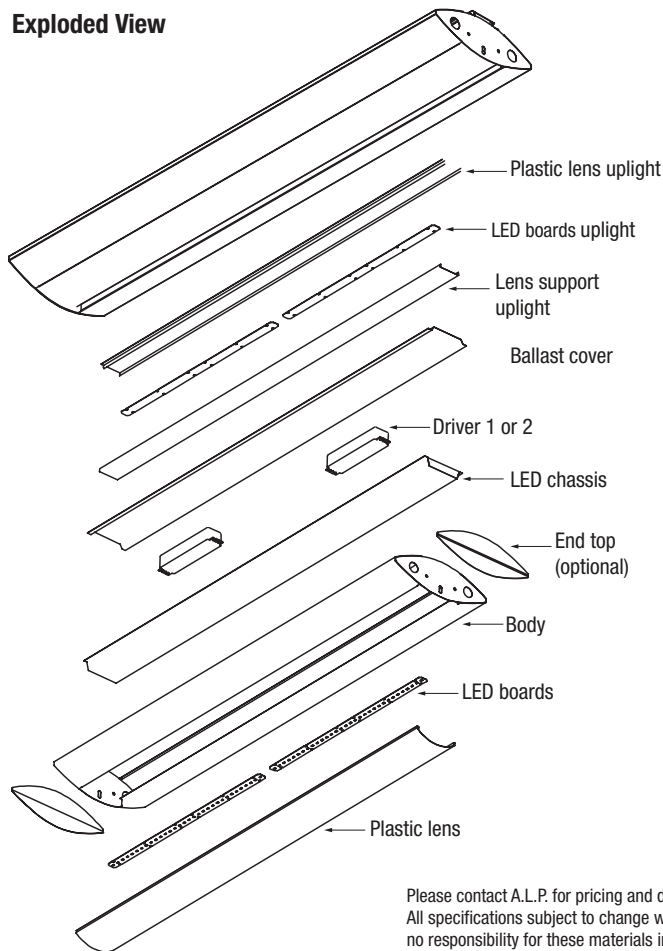
- Pendant mounted
- Post painted in matte white finish with 92% reflectance
- Direct/indirect light
- Formed and welded in 22-gauge steel
- Can be mounted individually or in continuous row
- Acrylic technical frosted diffuser with 90% light transmission
- Easy removal of diffuser without any tools
- Customized LED pattern holes available, consult customer service

Application

Suitable for interior applications including; office, hotel, education, healthcare, and retail environments.

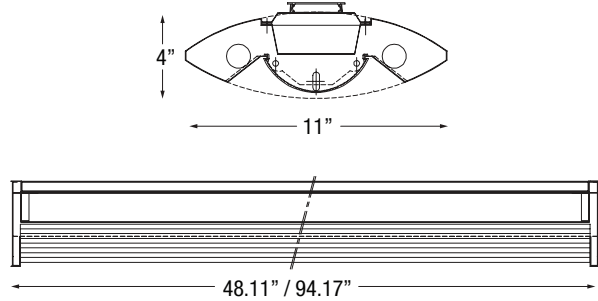
Please contact A.L.P. for pricing and delivery. A.L.P. will support design and development with customer supplied light engines. All specifications subject to change without notice. A.L.P. Lighting Components, Inc. assumes no responsibility for these materials in any luminaire or application. The product is an OEM component kit requiring final assembly by a qualified OEM fixture manufacturer.

Exploded View

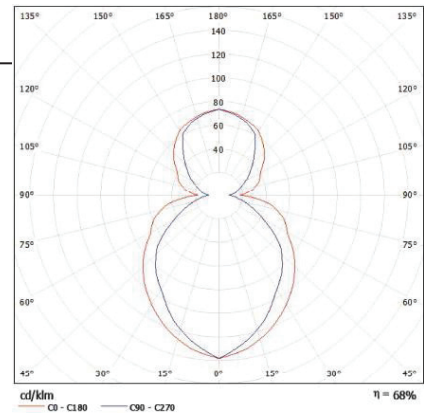


Please contact A.L.P. for pricing and delivery.
All specifications subject to change without notice. A.L.P. assumes no responsibility for these materials in any luminaire or application.

Dimensions



Polar Curve



Kit Part No	Description	Part No	Qty
PLIN 2325 TM 4FT CKD	Body	2325TM 1410	1
	Ballast Cover	2325TM 1461	1
	LED Chassis	2325TM 1406	1
	Up Light LED Chassis	1351TM 1407	1
	Joiner	2380 17	2
PLIN 2325 TM 8FT CKD	Body	2325TM 1810	1
	Ballast Cover	2325TM 1461	2
	LED Chassis	2325TM 1406	2
	Up Light LED Chassis	1351TM 1407	2
	Joiner	2380 17	2

Optional items

Description	Part No	Qty
End Tops	2380 16	2
4FT Curved Lens	474 2452	1
2"x 4FT Flat Lens	375 2452	1

Notice

A.L.P. assumes no responsibility for suitability of these materials in any luminaire or application. Please test for fit and function prior to ordering project quantities.

While A.L.P. utilizes IESNA testing procedures and believes our testing results to be accurate, A.L.P. provides photometry for reference only. Actual results will vary based on the actual light source(s) and power source(s) used, i.e. ballast, driver, generator, etc. and the combinations in which they are used, as well as operating temperatures, and other electrical and environmental variables. We urge that customers perform their own fixture qualifications prior to making performance-based claims. In no event will A.L.P. be liable for any loss or damage, including without limitation, indirect or consequential loss or damage in connection with the use of this information.