



General Description

Corisco LED architectural slim linear pendant kits can be incorporated in both suspended and surface-mounted fixtures. The modern, sleek look scores high in both functionality and performance for a variety of indoor lighting applications. The linear architectural lighting kit creates a simple line of light by delivering brilliant illumination and exceptional visual comfort. With its clean, minimalist aesthetic and potential lens options, this family helps make a design statement in settings from lobbies and offices to retail spaces.

Features and Benefits

- Architectural pendant-mounted LED fixture kit.
- Slim linear design.
- Post-painted in matte white finish with 92% reflectance.
- Acrylic Technical Frosted diffuser with 80% light transmission.
- Formed and welded in 22-gauge steel.
- Easy, tool-free removal of diffuser.
- Custom LED pattern holes available (contact Customer Service).

Applications

Suitable for interior applications including hospitality, healthcare, education, retail, and office environments.

Specifications

2'

Length 23.89"

Width 2.79"

Height 2.79"

4'

Length 46.25"

Width 2.79"

Height 2.79"

Housing

22-gauge steel

Lens

Acrylic technical frosted diffuser

Finish

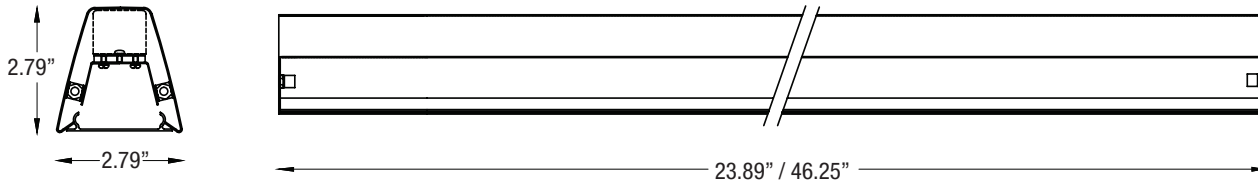
Post painted matte white with minimum 92% reflectivity

Mounting

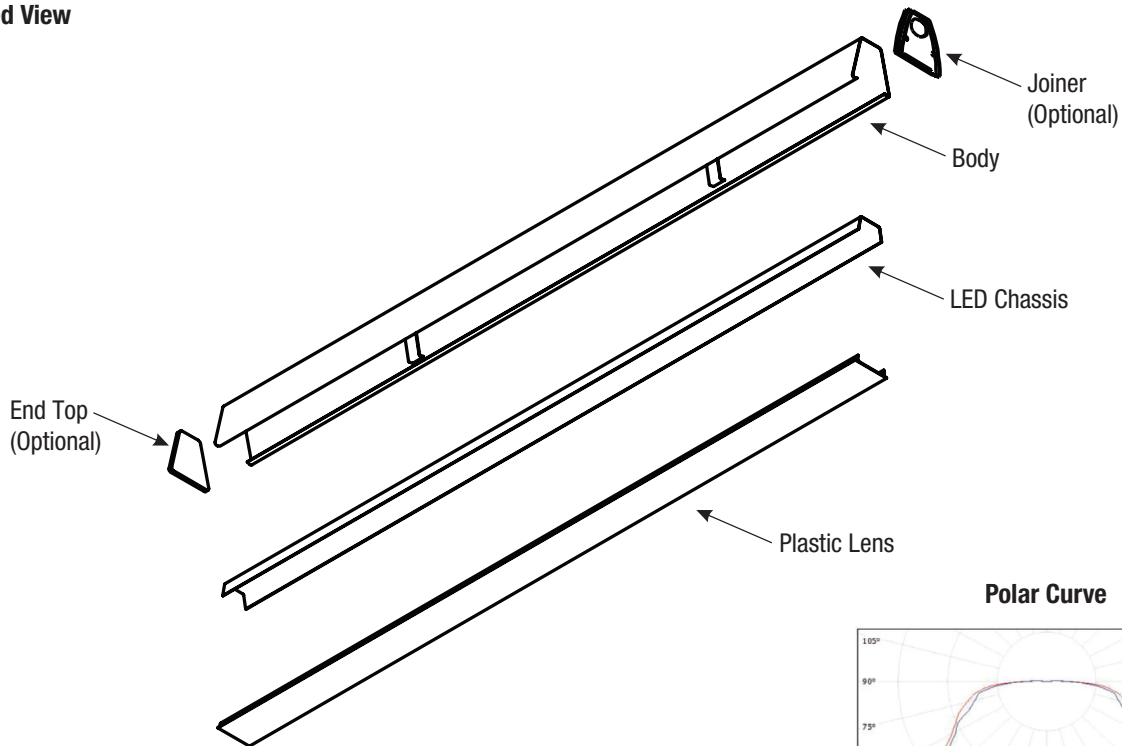
Pendant mount or continuous row

Please contact A.L.P. for pricing and delivery. A.L.P. will support design and development with customer supplied light engines. All specifications subject to change without notice. A.L.P. Lighting Components, Inc. assumes no responsibility for these materials in any luminaire or application. The product is an OEM component kit requiring final assembly by a qualified OEM fixture manufacturer.

Dimensions

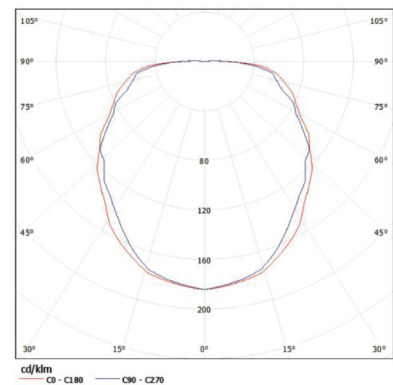


Exploded View



Please contact A.L.P. for pricing and delivery.
All specifications subject to change without notice. A.L.P. assumes no responsibility for these materials in any luminaire or application.

Polar Curve



Kit Part No	Description	Part No	Qty
COR-2	Body	COR 1210	1
	LED Chassis	CORDLC 1206	1
	End Tops	COR 16	2
	Joiner	COR 17	1
	Plastic Lens	375 2252	1
COR-4	Body	COR 1410	1
	LED Chassis	CORDLC 1406	1
	End Tops	COR 16	2
	Joiner	COR 17	1
	Plastic Lens	375 2452	1

Notice

A.L.P. assumes no responsibility for suitability of these materials in any luminaire or application. Please test for fit and function prior to ordering project quantities.

While A.L.P. utilizes IESNA testing procedures and believes our testing results to be accurate, A.L.P. provides photometry for reference only. Actual results will vary based on the actual light source(s) and power source(s) used, i.e. ballast, driver, generator, etc. and the combinations in which they are used, as well as operating temperatures, and other electrical and environmental variables. We urge that customers perform their own fixture qualifications prior to making performance-based claims. In no event will A.L.P. be liable for any loss or damage, including without limitation, indirect or consequential loss or damage in connection with the use of this information.