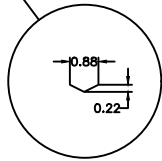
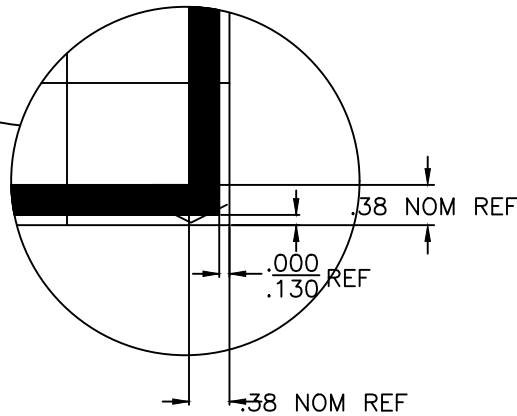
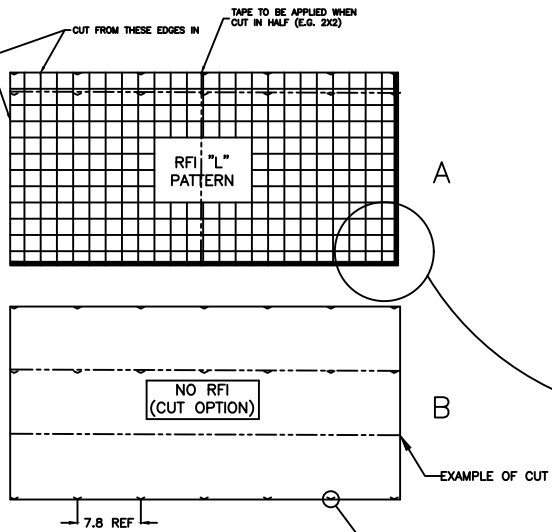
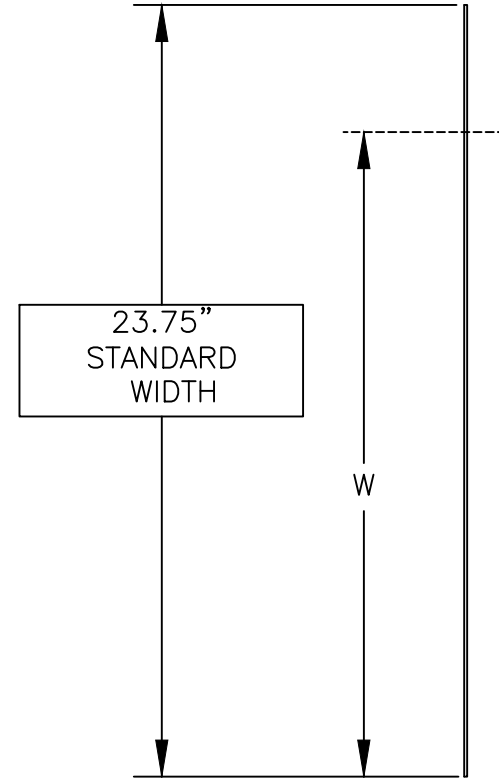
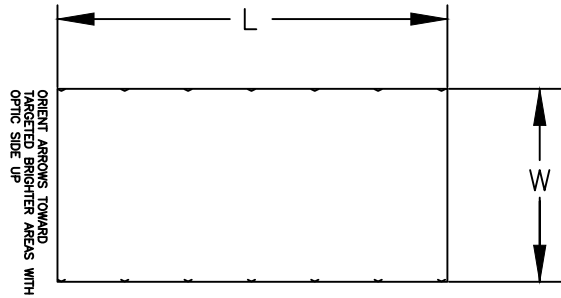


# DASSL LENS ORDER SHEET

REV	EDCO	DESCRIPTION	DATE	APPROVED
A		RELEASED	10/13/20	RDTH
B	979	REVISE OPTION "A" FOR CUT	10/21/20	RDTH



- NOTES:
- CUT TOLERANCE TO BE  $\pm 0.063$
  - FLAT TO  $+0.25$  (1/4") CROWN

MANUFACTURING: ARROWS PRESENT ON SHEET BEFORE CUT MUST BE PRESENT ON ALL CUT SHEET TO SHOW ORIENTATION. SECONDARY ETCH MAY BE REQUIRED IF ARROWS ARE NOT PRESENT ON CUT SHEET IN SAME ORIENTATION

PRODUCT SELECTION: DASSL

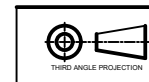
CUSTOMER: \_\_\_\_\_

SIGNATURE: \_\_\_\_\_

DATE: \_\_\_\_\_

EXAMPLE: DASSL A 23.75 47.75

<b>A.L.P.</b>		<b>LEXALITE</b>	
PROPERTIES MATERIAL: N/A FINISH: N/A VOLUME: N/A AREA: N/A	DRAWN BY RDTH	DATE 10/13/20	CHECKED BY JER
DRIVER FLENUME 4910	DESCRIPTION DASSL SYM/ASYM ORDER SHEET		
MODEL FLENUME N/A	DO NOT SCALE DRAWING		
NOTICE: THIS DRAWING AND THE INFORMATION IT DISCLOSES IS THE EXCLUSIVE PROPERTY OF A.L.P., INC. ANY REPRODUCTION OR USE OF THIS DRAWING IN WHOLE OR IN PART, WITHOUT THE EXPRESS CONSENT OF THE PROPRIETOR IS PROHIBITED.		DWG NO 4910	SHEET 1 OF 1 REV B



FOR MANUFACTURING USE ONLY  
ALP PART #