

General Description

The Rayder™ post top prismatic sphere from A.L.P. LexaLite® has a traditional 19th-century shape with modern photometric performance. The assembled refractor bottom and top are 19.2" in diameter, and are available with either 8" diameter fitters or custom bottom openings. The Rayder is shipped quantities of 5 units (top/bottom) per carton. Each bottom has a high bond double-sided tape with peel-off film adhered to the flange. Simply peel off the protective layer and adhere the top to the bottom, and the unit is ready for mounting!

Features and Benefits

- Intended for use with LED or other light sources up to 150 watts
- Ideal source has the desired uplight component to present a uniformly glowing appearance.
- Exceptional glare control while providing vertical illumination.
- Applications where brightness control is paramount.

Service Life

The service life of acrylic refractors is virtually unlimited when used within the recommended temperature limit.

Applications

Rayder prismatic spheres are ideal for use in HOAs, gated communities, amusement parks, shopping malls, nature parks, along walkways and roadways or areas where a distinctive nostalgic theme is prevalent. Compatible with LED and other lamp sources and poles with the height of 10' to 20'. Before final installation, dissipate static on parts by spraying with de-staticized air or by wiping with a clean damp rag. This will help minimize dust build up.

Tape note

The double-sided adhesive tape offers superior flexibility and adhesion for a durable, weatherproof seal that won't crack or shrink. It stays flexible to withstand expansion and contraction caused by temperature and weather fluctuations. It should be applied in temperatures from 50 – 100 degrees F. Once protective film is removed, bond the top to the bottom within 3 minutes. Set bottom on a clean flat surface, set top evenly onto bottom and hold with at least 50 lbs of force for 60 seconds.

Ordering Information

Please call 877-257-5841 for pricing and delivery.

Dimensions

17.8" height
19.2" diameter

Materials

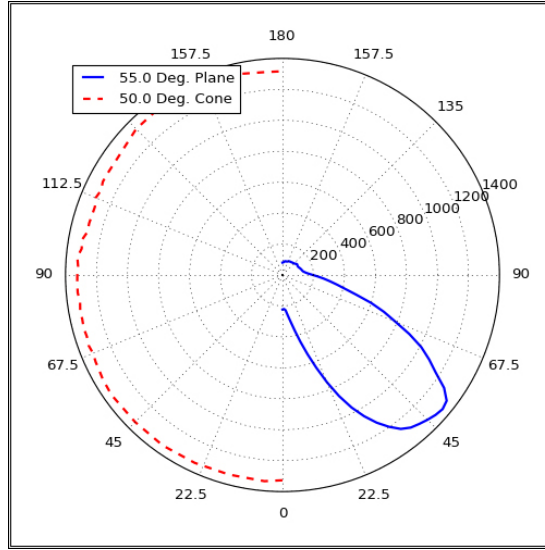
Acrylic:
Clear

Accessories/Options

8" Fitter
Black Neck Ring

Fixture Performance for Reference Only

Report Number: 07016
Issue Date: 08/04/20
Prepared for: A.L.P. LexaLite Brand
Catalog Number: Rayder
Luminaire: Rayder Type V Acrylic Clear
Lamp: 55W Type V Flat Board LED
Mounting: Pendant
Driver: PHILLIPS ADVANCE
Watts: 54.88
Volts: 120
Lumens per watt: 107
Luminous Diameter
Width: 1.5
Length: 1.5
Height: 1.5



Flux Distribution by Solid Angle (Per IESNA LM-79-08, Luminaire Classification System for Outdoor Luminaires)		
	Lumens	Percent of Fixture
Forward Light	2551.31	43.43
FL (0 - 30)	298.19	5.08
FM (30 - 60)	1423.30	24.23
FH (60 - 80)	689.41	11.74
FVH (80 - 90)	140.42	2.39
Back Light	2570.83	43.76
BL (0 - 30)	295.52	5.03
BM (30 - 60)	1430.11	24.34
BH (60 - 80)	702.95	11.97
BVH (80 - 90)	142.25	2.42
Uplight	752.39	12.81
UL (90 - 100)	169.55	2.89
UH (100 - 180)	582.84	9.92
Trapped Light	NaN	NaN
Total Flux	5874.52	100.0
Lumens per Watt	107	

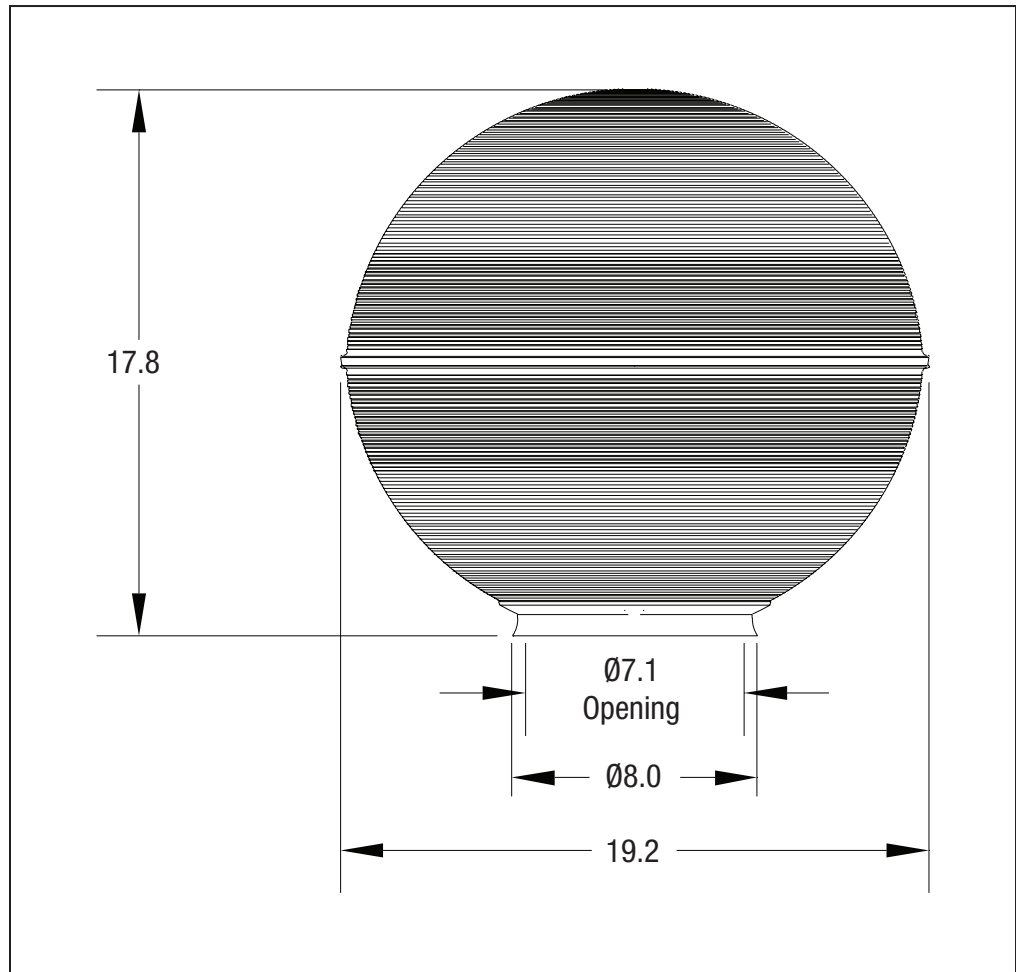
Materials

See the LexaLite® brand price list for current part numbers and material offerings. Up-to-date and detailed material specifications can be found in the Resources section on our website www.alpadvantage.com.

Notice

A.L.P. assumes no responsibility for suitability of these materials in any luminaire or application. Please test for fit and function prior to ordering project quantities.

While A.L.P. utilizes IESNA testing procedures and believes our testing results to be accurate, A.L.P. provides photometry for reference only. Actual results will vary based on the actual light source(s) and power source(s) used, i.e. ballast, driver, generator, etc. and the combinations in which they are used, as well as operating temperatures, and other electrical and environmental variables. We urge that customers perform their own fixture qualifications prior to making performance-based claims. In no event will A.L.P. be liable for any loss or damage, including without limitation, indirect or consequential loss or damage in connection with the use of this information.



This drawing is for reference only. Actual part dimensions will vary. Customer is urged to review actual samples to confirm fit and function. All specifications and dimensions are subject to change without notice.