

**General Description**

The AL16 is a spun, anodized aluminum reflector intended for use with POD style LED High Bay/Low Bay sources. Unlike traditional reflectors, the AL16 is shallower to allow higher beam angles. Its large flat top allows it to be easily adapted to most any fixture without the need for expensive collars. The lower flange mimics traditional reflectors allowing for a wide range of bottom optics/lenses and standard clamp bands.

Features and Benefits

- Standard Spun, Anodized Aluminum is cost effective and provides a traditional yet low profile appearance
- Adaptable to any LED POD with an opening of up to 10 inches
- Adapts well to hot, humid environments and areas using manufacturing and cleaning chemicals/solutions
- Accommodates standard 16" diameter A.L.P.-LexaLite lenses including the Model 351 Drop Lens, 816 Conical Drop Lens and flat lenses. Bottom lenses are primarily used in applications where brightness control is paramount. Bottom lenses also enhance up-light.

Applications

High bay and low bay applications where a traditional fixture appearance, brightness control and/or wide distribution are desirable.

Ordering Information

Please call 877-257-5841 for price and delivery.

Dimensions

8.5" H x 16" diameter
Approximate weight 6 lbs

Materials

High-efficiency anodized spun Aluminum

Accessories/Options

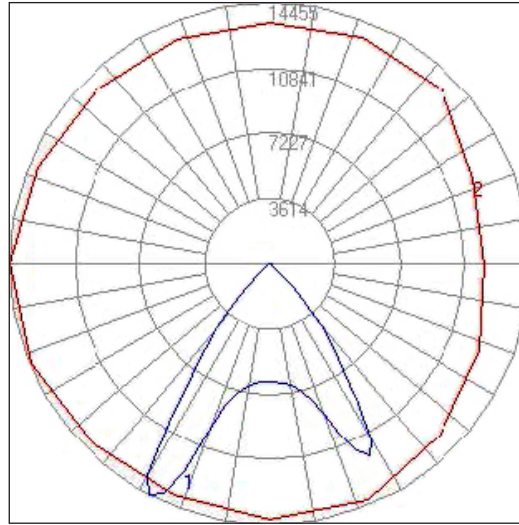
816 Conical Drop Lens
816 Smooth Flat Lens
16" Clamp Band
816 Wire Guard
350-361 Tapered Drop Lens,
Counterbore Rim

Light Source

LED Light Engines (PODs) by others

Photometry

Report Number: 05642
Issue Date: 05/26/16
Prepared for: A.L.P.
Catalog Number: AL16
Luminaire: CME LED POD with clear dome lens and AL16 reflector
Lamp: CREE board of 68 LEDs
Mounting: Pendant
Driver: Inventronics EUD-200S070DT
Watts: 157.08 @ 119.98 volts
Lumens per watt: 96.43



Lumen Summary

Zone	Lumens	% Fixture
0-30	8785.31	58.00
0-40	13444.79	88.76
0-60	15049.59	99.35
0-90	15113.79	99.78
90-110	0.88	0.01
90-130	4.24	0.03
90-150	16.72	0.11
90-180	33.97	0.22

Materials

See the LexaLite[®] brand price list for current part numbers and material offerings. Up-to-date and detailed material specifications can be found in the Products/Technical Resources section of our website at www.alplighting.com.

Notice

A.L.P. assumes no responsibility for suitability of these materials in any luminaire or application. Please test for fit and function prior to ordering project quantities.

While A.L.P. utilizes IESNA testing procedures and believes our testing results to be accurate, A.L.P. provides photometry for reference only. Actual results will vary based on the actual light source(s) and power source(s) used, i.e. ballast, driver, generator, etc. and the combinations in which they are used, as well as operating temperatures, and other electrical and environmental variables. We urge that customers perform their own fixture qualifications prior to making performance-based claims. In no event will A.L.P. be liable for any loss or damage, including without limitation, indirect or consequential loss or damage in connection with the use of this information.

