

# A.L.P.

## Suspension Systems Catalog

**Durable**

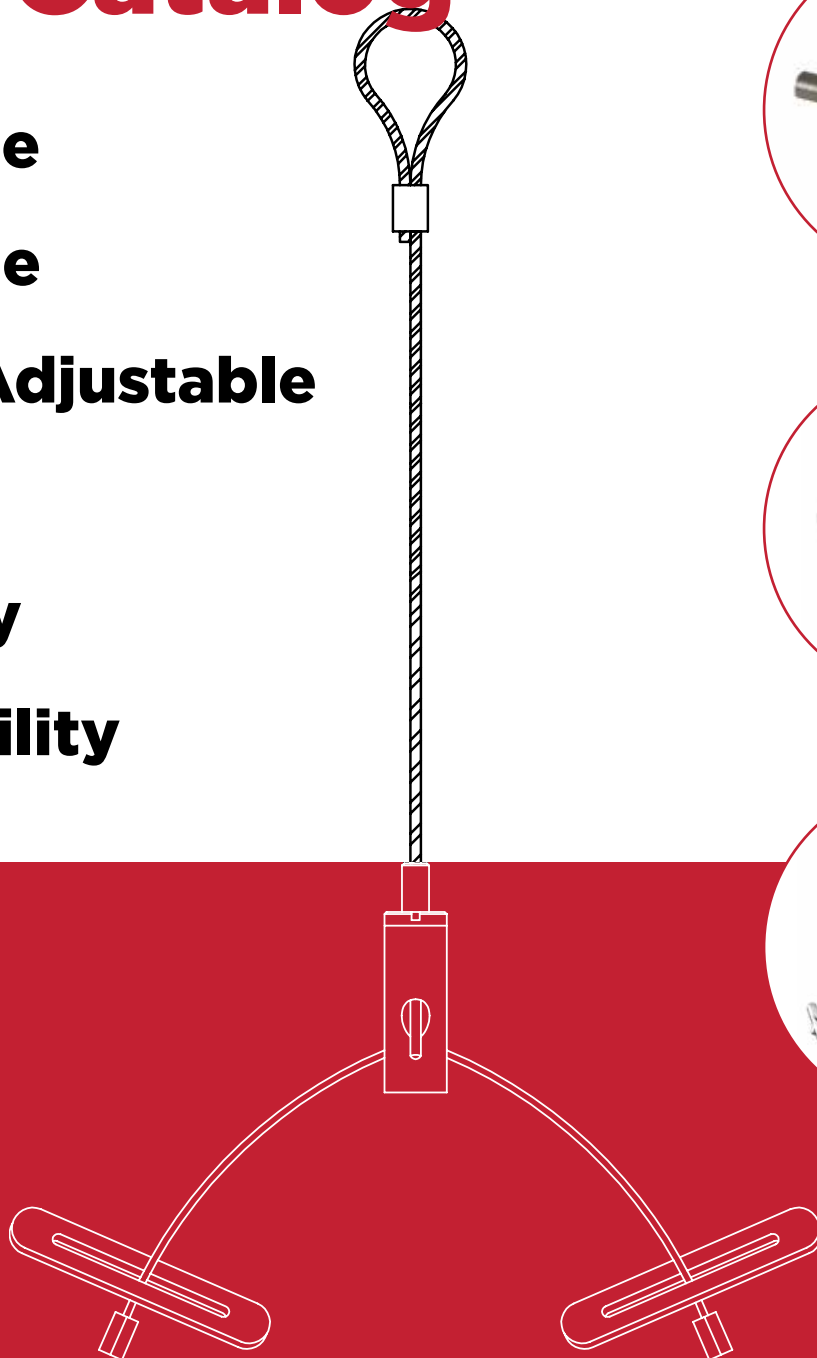
**Flexible**

**Field Adjustable**

**Value**

**Variety**

**Versatility**



**Bottom Exit**



**Side Exit**



**Canopy Kits**



**High Bay Kits**

A.L.P. is pleased to introduce the latest technologies for ceiling suspension of lighting fixtures. Changing regulation and design preference has increased the demand for suspended luminaires. A good flexible suspension kit, with a simple and effective method of changing luminaire height and leveling, addresses these preferences.

We have co-developed a range of systems that will meet lighting manufacturers' current requirements, as well as innovation requirements for the next generation of fixture designs.

Most importantly, the complete assembly is available from one source, eliminating the need to procure grippers from one company, suspension wire from another, ceiling attachment from another, and so on. We also tried to ensure that the existing products in the market could be easily replaced with the A.L.P. Lighting Suspension System. Rather than supplement an existing product, it was essential that our system meets the requirements of the next generation of fixtures and provides enhanced functionality. Clearly, the other key design initiative was to ensure value for money and long-lasting quality.

A.L.P.'s knowledge and engineering excellence, combined with patented gripper system technology, has exceeded our design goals and aspirations.

### Kitting Options

It is our strong recommendation that the complete solution is purchased from A.L.P. suitably packed, bar coded and labelled as per your specific design criteria. Systems can be provided and packed as single suspension wires, gripper and ceiling attachment or as a kit for direct supply with the complete luminaire. It is supplied as a kit without the need for additional assembly and modification when it is delivered to your facility.

### Ceiling Attachment

This attachment provides a firm anchor for the suspension system wire to locate onto the ceiling. In the standard configuration, the attachment barrel is screwed onto the ceiling, and the suspension wire is threaded through the collar-locking nut, with the nipple at the end of the suspension wire locating into the collar, which is then screwed into the barrel.

### Cable System

A variety of cable length and diameter options are available and should be discussed with your technical representative to ensure fitness for purpose and suitability of gripper choice.

### Area of Use

Replacement, Retrofit, Computer Task Areas, General Office, Display Lighting, Under Counter Retail Lighting and Signage.

### Grippers

The gripper provides the mechanism for raising and lowering the luminaire on the suspension wire.

### Hidden Profile

Gripper is secured into the luminaire and not visible.

### Visible Profile Side Exit

Gripper is secured into the luminaire, forms part of the luminaire profiling and the suspension cable extends from the side of the gripper not into the cavity inside the luminaire.

### Visible Profile Bottom Exit

Gripper is secured into the luminaire, forms part of the luminaire profiling and the suspension cable extends into the cavity inside the luminaire.

### Y Section Self Leveling

The Gripper is positioned on a single suspension wire, and has a separate Y section connected to the gripper and the luminaire. This enables the raising and lowering of the luminaire, simply and effectively with self leveling.

**Notice:** A.L.P. assumes no responsibility for the suitability of these materials in any luminaire or application. Suspension products are for indoor use only and are not suitable for industrial settings in which harsh chemicals, vibration, and other hazards are present.

# A.L.P.

## Our Most Popular Kits and Accessories

**High Bay Kits:** Each Kit includes two complete assemblies to suspend one fixture

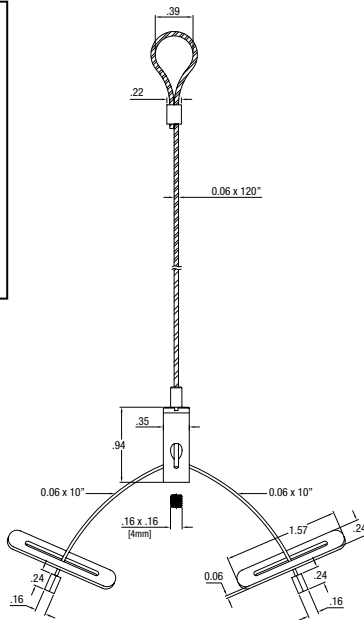


### 4011003

**Cable** 1.5mm  
**Max Weight** 40 lbs.

**Description**  
Universal yoke and toggle kit accommodates up to 15° spread

4011003-6 6' cable  
4011003-10 10' cable  
4011003-20 20' cable



### 5011003

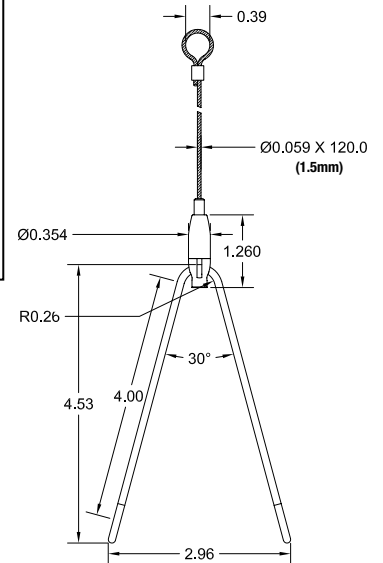
**Cable** 1.5mm  
**Max Weight** 40 lbs.

**Description**  
Vhook kit uses slip-on side exit Gripper (1018000)

5011003-6 6' cable  
5011003-10 10' cable

Can be ordered without vhook:

1018003-6 6' cable  
1018003-10 10' cable



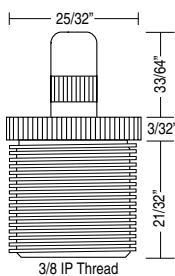
## Grippers and Accessories



### 1017997

**Cable** 1.5mm  
**Max Weight** 40 lbs.  
2.0mm XX lbs.

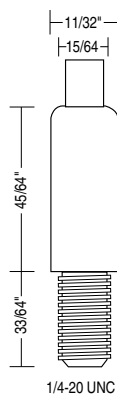
**Description**  
3/8 I.P. threaded bottom exit gripper with safety cap. Can be ordered with hex nut (GRIP-38IP)



### 1017999

**Cable** 1.5mm  
**Max Weight** 40 lbs.

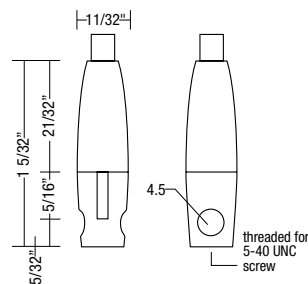
**Description**  
1/4-20 UNC threaded bottom exit gripper attaches to ceiling anchor or fixture with nut (GRIP-1420BE)



### 1018000

**Cable** 1.5mm  
**Max Weight** 40 lbs.

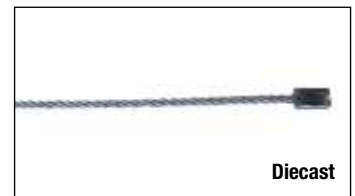
**Description**  
Slip-on style side exit gripper used with vhook (5011000) or similar.



VHook

### 5011000

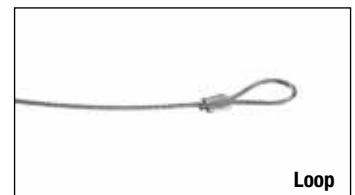
VHook



Diecast

### 3011000

1.5mm x 10'L cable with die cast end



Loop

### 3011001

1.5mm x 10'L cable with looped-end

**Notice** Suspension products are for indoor use only and are not suitable for industrial settings in which harsh chemicals, vibration, and other hazards are present.



**CKP-X**  
**Cable:** 1.5mm (1/16")  
**Cable Length:** 72"  
**Canopy Diameter:** 5"

**Description**  
 5" white canopy attaches to J-Box and includes bracket, coupler 72" long 18/3 SJT power cord and 1.5mm (1/16") cable, cord guide.

**To include gripper, use part number:**  
 CKP-14IP  
 CKP-38IP  
 CKP-1420BE  
 CKP-1420SE  
 CKP-YT

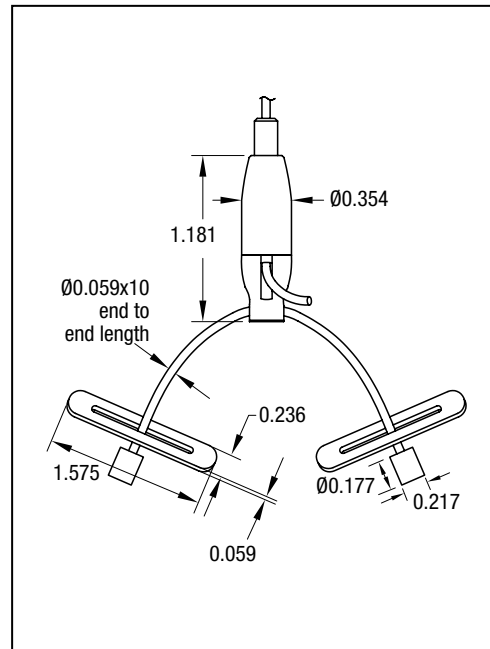
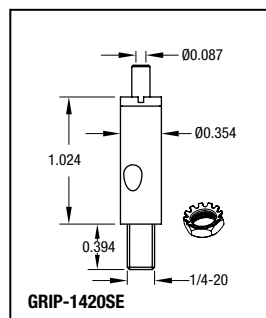
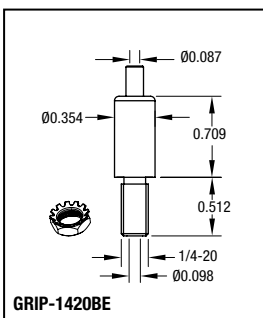
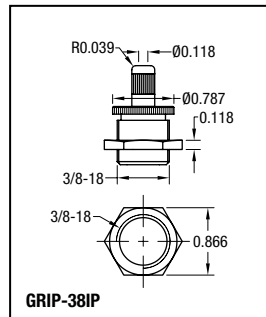
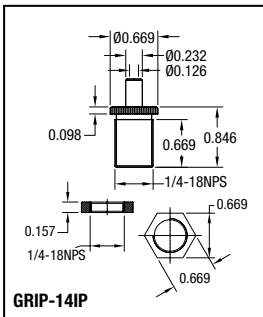


**CKNP-X**  
**Cable:** 1.5mm (1/16")  
**Cable Length:** 72"  
**Canopy Diameter:** 5"

**Description**  
 5" white canopy attaches to ceiling grid with included T-bar clip. Includes coupler and 1.5mm (1/16") x 72" cable.

**To include gripper, use part number:**  
 CKNP-14IP  
 CKNP-38IP  
 CKNP-1420BE  
 CKNP-1420SE  
 CKNP-YT

### Gripper Choices





Notice Suspension products are for indoor use only and are not suitable for industrial settings in which harsh chemicals, vibration, and other hazards are present.

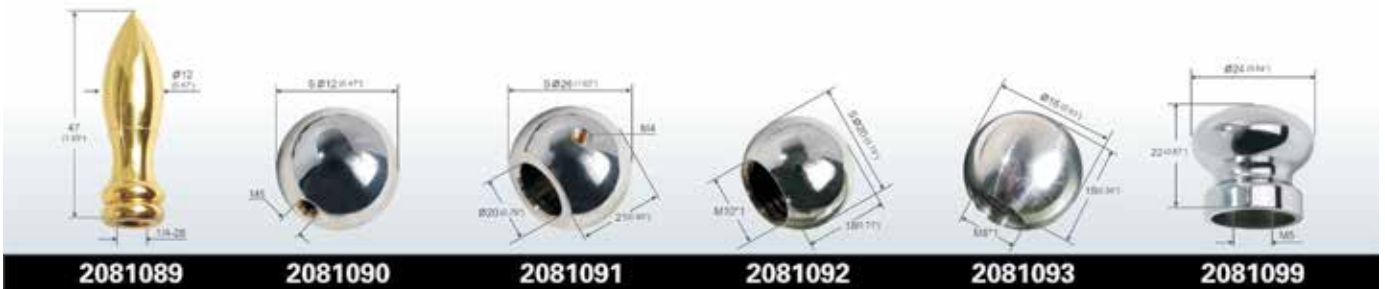
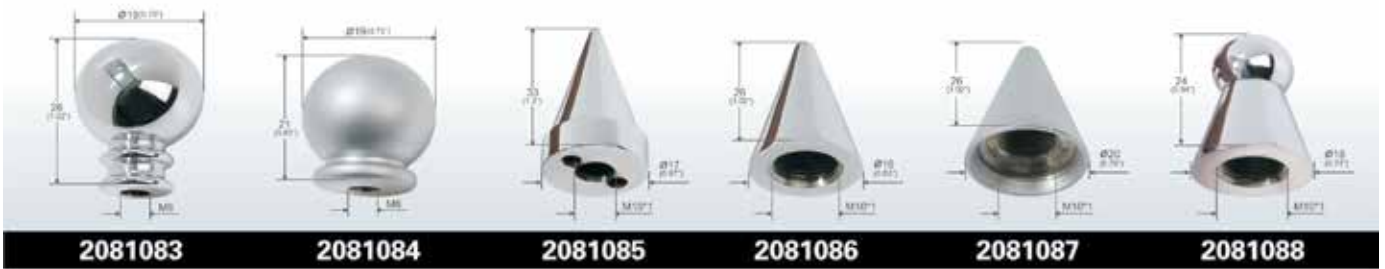
# A.L.P.

## Suspension Systems



**Notice** Suspension products are for indoor use only and are not suitable for industrial settings in which harsh chemicals, vibration, and other hazards are present.

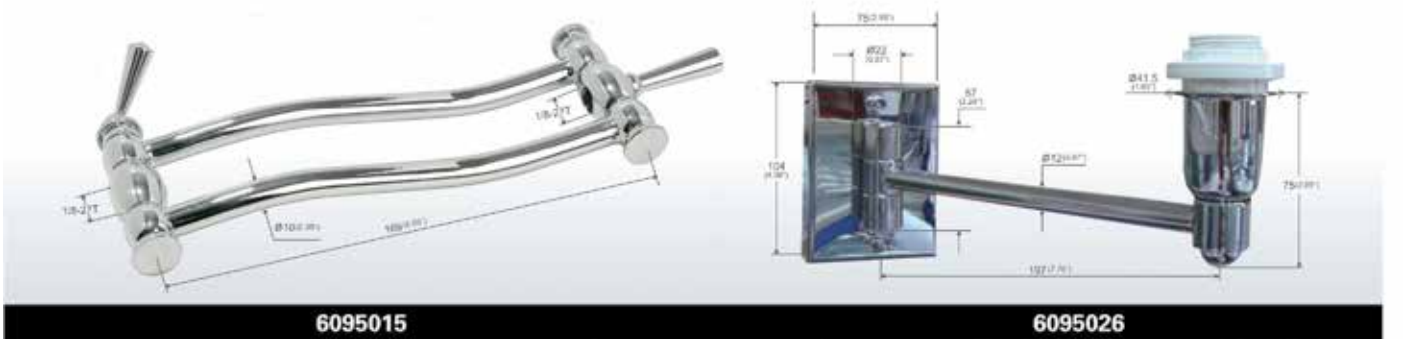
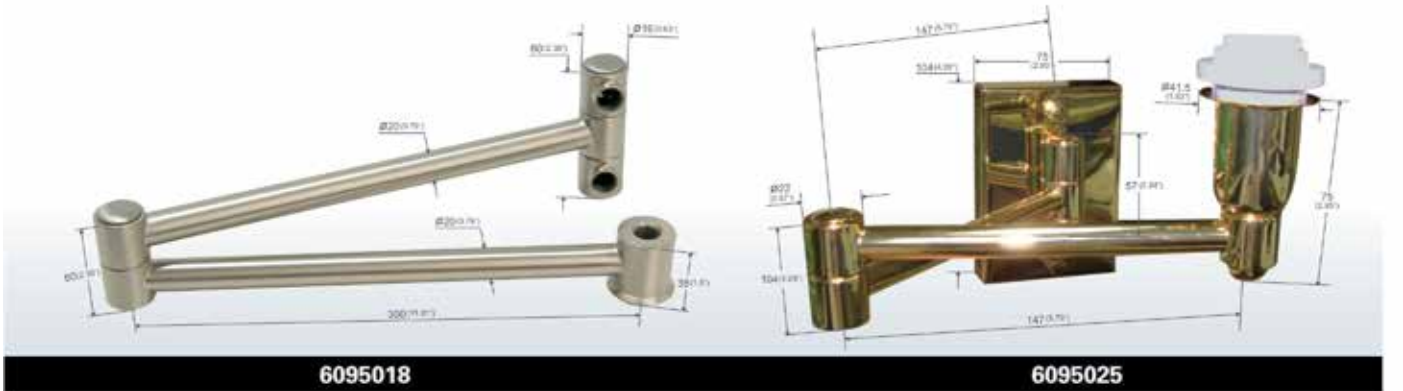
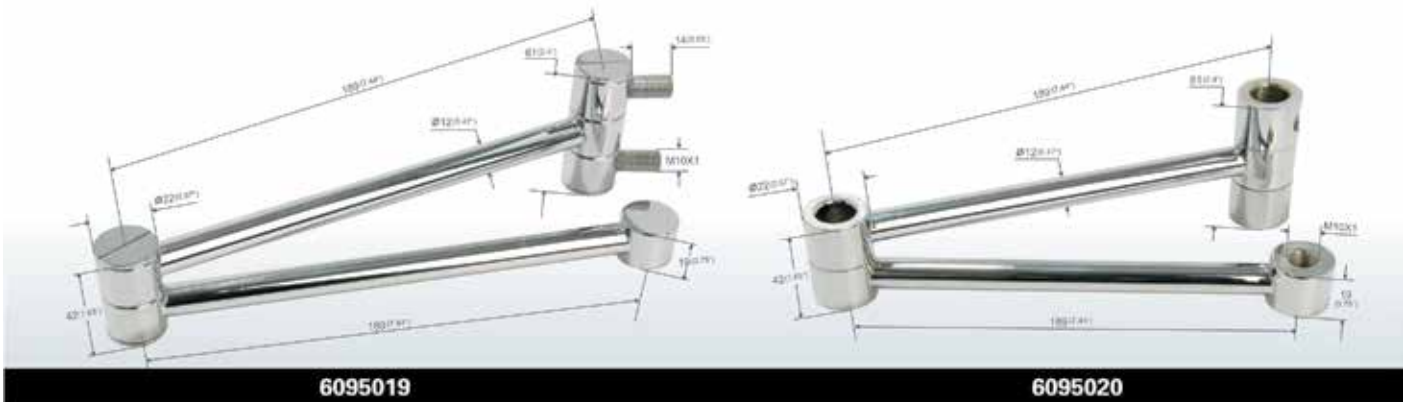




**Notice** Suspension products are for indoor use only and are not suitable for industrial settings in which harsh chemicals, vibration, and other hazards are present.

# A.L.P.

## Suspension Systems



**Notice** Suspension products are for indoor use only and are not suitable for industrial settings in which harsh chemicals, vibration, and other hazards are present.







# A.L.P.

## Suspension Systems



**Notice** Suspension products are for indoor use only and are not suitable for industrial settings in which harsh chemicals, vibration, and other hazards are present.



**Notice** Suspension products are for indoor use only and are not suitable for industrial settings in which harsh chemicals, vibration, and other hazards are present.







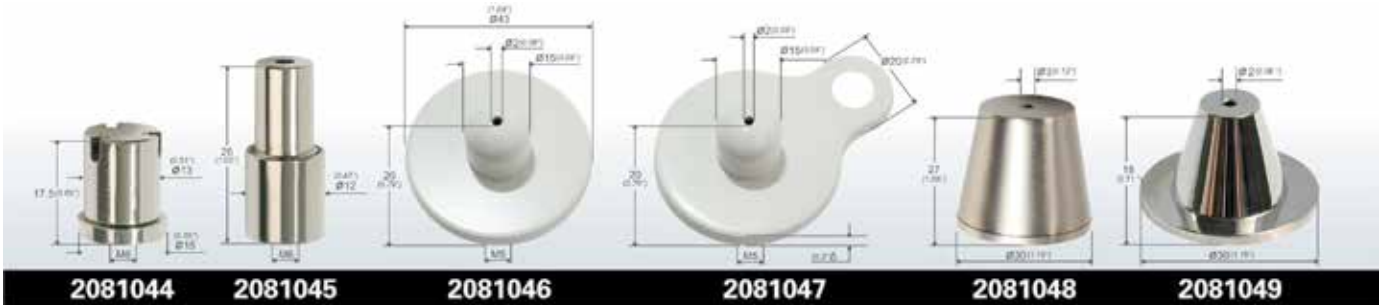


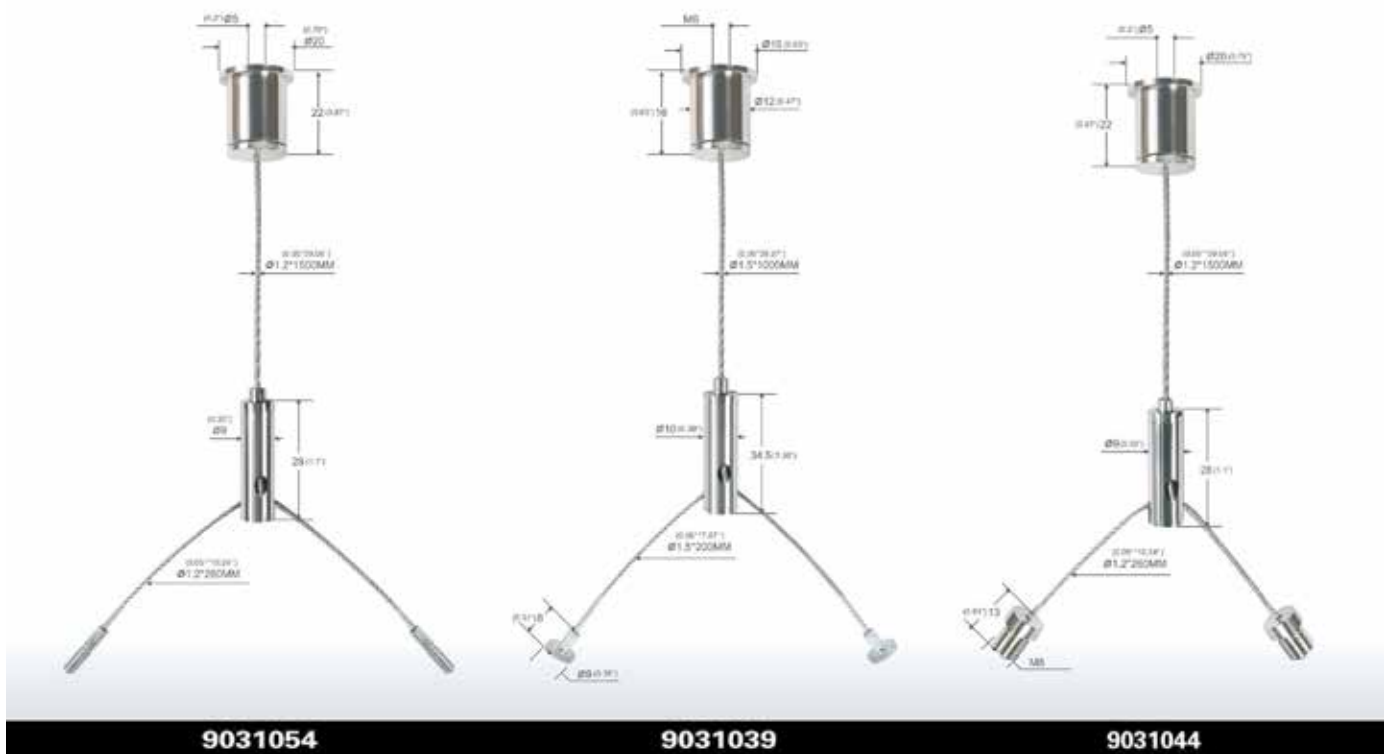
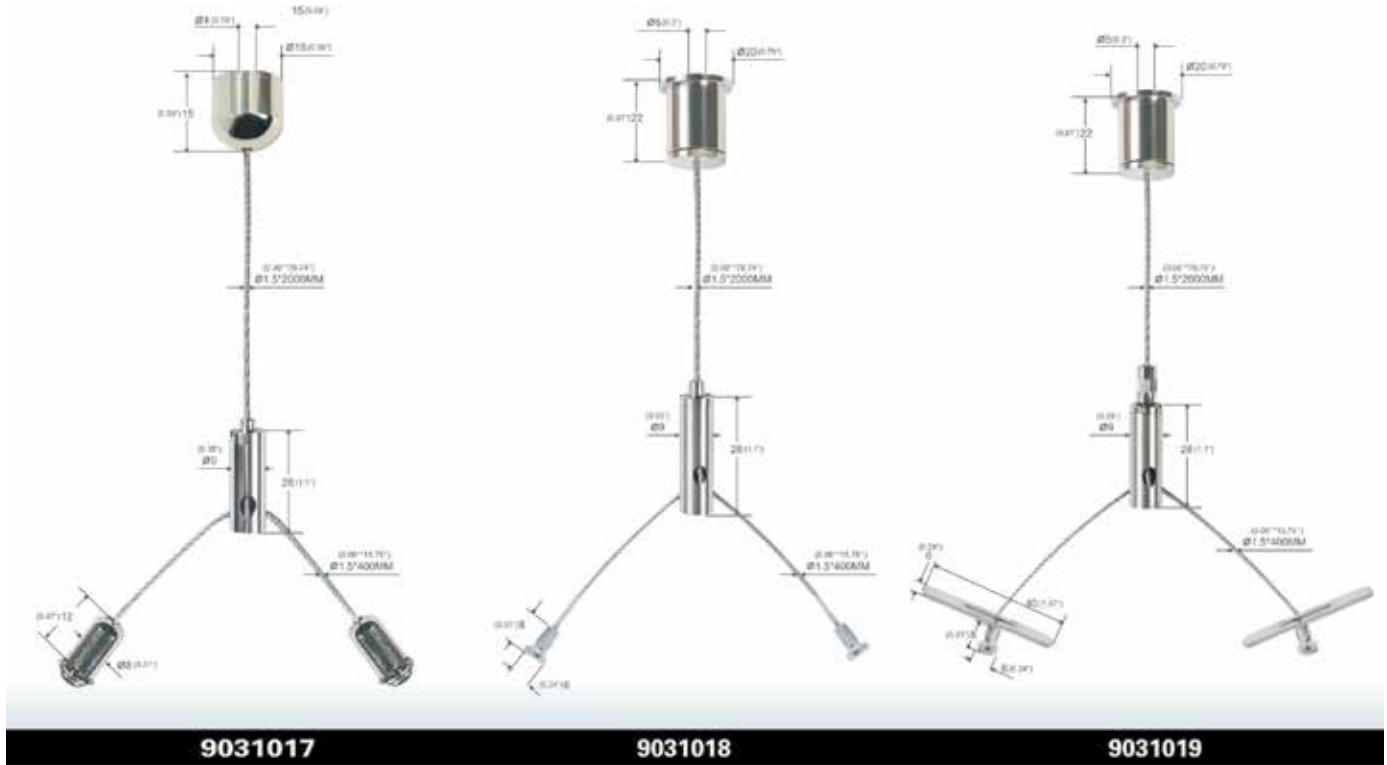
**Notice** Suspension products are for indoor use only and are not suitable for industrial settings in which harsh chemicals, vibration, and other hazards are present.



**Notice** Suspension products are for indoor use only and are not suitable for industrial settings in which harsh chemicals, vibration, and other hazards are present.











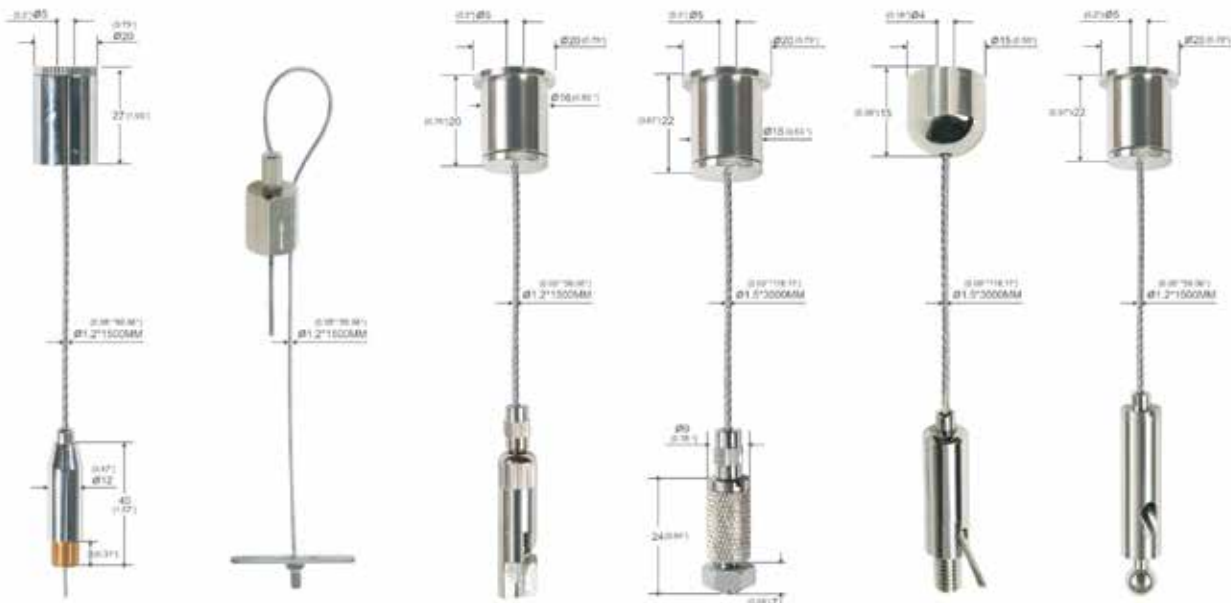
9031041

9031045

9031052

9031066

9031070



9031024

9031027

9031029

9031033

9031037

9031038



As a worldwide leader in the manufacturing and distribution of lighting components, A.L.P. Lighting offers a diverse line of products for OEMs and the aftermarket. Whether it is fluorescent, HID or LED, A.L.P. offers the industry's most comprehensive line of feature-differentiated products, processes and lighting innovations. From our beginnings as a modest Chicago area operation, A.L.P. has grown to become an international powerhouse with manufacturing plants and distribution centers located throughout the U.S., Europe and Latin America. Our core commitment is to create value through service and product performance.

Founded in 1972, A.L.P. Lighting Components began as the principal manufacturing supplier for parent company, Bill Brown Sales Agency. As the company has grown, our dedication to adopting sophisticated technologies and maintaining precise craftsmanship has grown as well.

Our extensive product line is backed by a nationwide system of customer support teams. We provide OEMs with the expert product advice and exemplary service that can only come from decades of experience in the lighting industry.

**A.L.P.** • 6333 Gross Point Road • Niles, IL 60714 USA  
Direct 773-774-9550 • 773-774-9331 Fax • Toll Free 877-257-5841 • 800-438-2500 Fax • [www.alpadvantage.com](http://www.alpadvantage.com)

