



### General Description

This multi-purpose LED fixture kit provides a Type V distribution with a main beam of 50 degrees vertical. This combination is suited for intersection, parking garage, low-bay and other general lighting applications. The LEDs are mounted 4-12" away from the optical surface which provides excellent hiding power.

### Housing

This one-piece casting design can effectively dissipate up to 100W in a 40°C ambient temperature with an appropriate LED module. The cast aluminum heat sink is offered either raw or powder coated white. To achieve a wide, Parking Garage distribution, there are 12 internal LED board mounting surfaces which are canted 35 degrees from vertical. A new board mounting feature allows a variety of different board shapes and sizes without the need for any drilling or tapping. Boards may effectively be mounted on 4, 6, 8, 9 or 12 faces.

### Platform II Widebay16 Lens

The Widebay16 is a remote optic intended for use with POD style LED high bay and low bay sources. Unlike traditional reflectors, the WB16 is shallow so as to allow higher beam angles. Its large upper shroud flat top allows it to be easily adapted to most any fixture without the need for expensive collars. The lower lens is shaped to distribute light with wide batwing pattern, allowing for greater vertical illumination.

### Light Engine Requirements

Suitable light engines are 100W or less, not including driver. For angled face mounting, LEDs should have a 150° FWHM beam or narrower. Each LED, board, and mounting will be different and the customer is responsible for determining the suitability of their LED package with these components.

### Approvals and/or Listings

- ETL Listed to UL1598 and 8750; file sharing program available to all customers
- IP66 Rated
- NSF International certified for NSF/ANSI Standard 2 – Food Equipment

### Service Life

Please visit our website [www.alpadvantage.com](http://www.alpadvantage.com) under the Resources section and then select Warranties for more information.

### Ordering Information

Please call 877-257-5841 for pricing and delivery.

### Dimensions

8.95" high  
16" diameter

### Lens Materials

Acrylic:  
Clear  
Lumieo  
Moon Glow™  
Polycarbonate:  
Clear

### Shroud Materials

Acrylic:  
Lumieo  
Polycarbonate:  
Frost

### Accessories/Options

Mounting Hook  
White acetal latches  
Clear polycarbonate latches  
Silicone lens gasket



Flat LED Board Location  
Both Lynk Labs 65W and  
100W AC/DC versions



Angled LED Board Location

### ETL File Number

102369752CHI-001 Safety  
102510057CHI-001 IP

Ask us about our Multiple Listee and File sharing program for your LexaLite Brand SSL luminaires.

Contact the Optical Engineering Manager  
(231) 547-6584

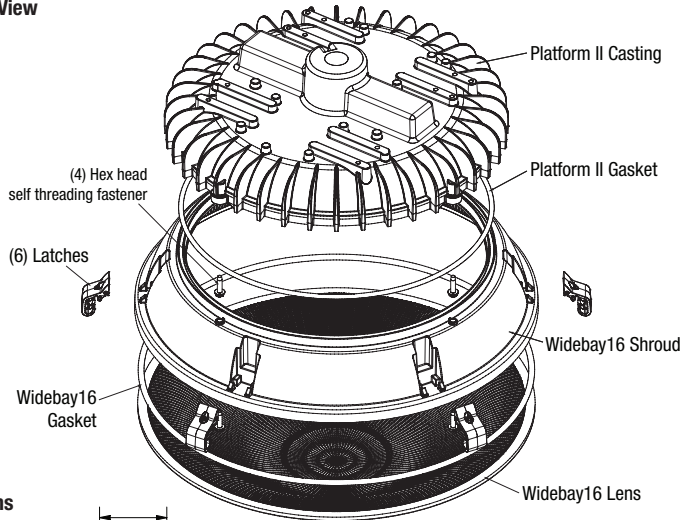
[www.platformseries.com](http://www.platformseries.com)

All specifications subject to change without notice. A.L.P. Lighting Components, Inc. assumes no responsibility for these materials in any luminaire or application.

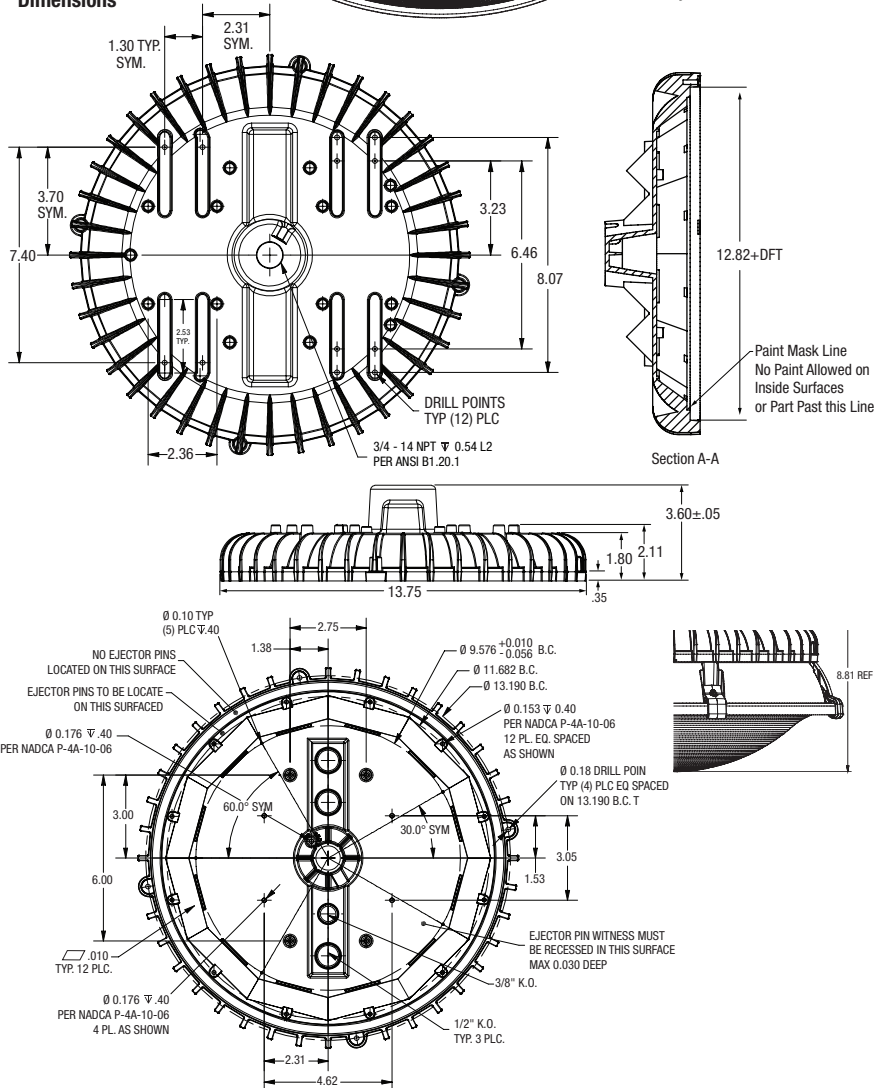
The product is an OEM component kit requiring final assembly by a qualified OEM fixture manufacturer.

## Platform II with Widebay16 Multi-purpose LED fixture kit

### Exploded View



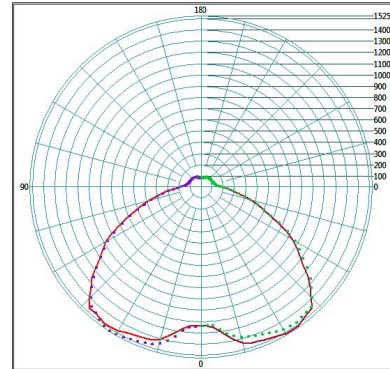
### Dimensions



### Fixture Performance for Reference Only

A.L.P. LexaLite Brand Test Report 05989

Specification	PFI with WB16
Input Wattage	69.60
Delivered Lumens (lms)	6468.2
Efficacy (LpW)	92.93
Voltage (V)	120-277v



### Lumen Summary

Zone	Lumens	%Fixt
0-30	1205.34	18.63
0-40	2140.27	33.09
0-60	4194.22	64.84
0-90	5727.63	88.55
40-90	3587.36	55.46
60-90	1533.41	23.71
90-180	740.58	11.45
0-180	6468.21	100.0

### Materials

See the LexaLite® brand price list for current part numbers and material offerings. Up-to-date and detailed material specifications can be found in the Resources section on our website [www.alpadvantage.com](http://www.alpadvantage.com).

When using acrylic, the surface temperature of the lens should not exceed 80°C. When using polycarbonate. The surface temperature of the lens should not exceed 90°C.

### Quality

The Platform casting is primarily a functional industrial grade component. Our pricing is based on this expectation.

### Caution

Sharp edges may occur at several locations on the part. We urge customers to select the shot-blasted option which reduces this hazard and also to wear gloves when handling.

### Notice

A.L.P. assumes no responsibility for suitability of these materials in any luminaire or application. Please test for fit and function prior to ordering project quantities.

While A.L.P. utilizes IESNA testing procedures and believes our testing results to be accurate, A.L.P. provides photometry for reference only. Actual results will vary based on the actual light source(s) and power source(s) used, i.e. ballast, driver, generator, etc. and the combinations in which they are used, as well as operating temperatures, and other electrical and environmental variables. We urge that customers perform their own fixture qualifications prior to making performance-based claims. In no event will A.L.P. be liable for any loss or damage, including without limitation, indirect or consequential loss or damage in connection with the use of this information.

## Platform II with Widebay16 Multi-purpose LED fixture kit

CASTING			
Part Number	Description	Material	Qty/Case
209371	HSG/Heat Sink	Die cast alum, Raw, with 3/4" NPT thrd Hole 10	5/ctn, 135/plt

REFLECTOR			
Part Number	Description	Material	Qty/Case
833944	Inner Reflector	"Specular aluminum"	400

TOP SHROUD-PLATFORM II			
Part Number	Description	Material	QTY
811464	WideBay16 Shroud Lumieo PLTFMII**	Lumieo Acrylic	20/ctn, 360/plt
811463	WideBay16 Shroud FROST PC PLTFMII**	Frost Polycarbonate	20/ctn, 360/plt

BOTTOM LENS			
Part Number	Description	Material	QTY
811450	WideBay16 Lens AC-FC	Clear Acrylic LED Grade	20/ctn, 360/plt
811453	WideBay16 Lens MG	MoonGlow Acrylic	20/ctn, 360/plt
811451	WideBay16 Lens Lumieo	Lumieo Acrylic	20/ctn, 360/plt
811452	WideBay16 Lens PC	Clear Polycarbonate	20/ctn, 360/plt

MISCELLANEOUS PARTS			
Part Number	Description	Material	QTY
HOOK-PF	Platform HB Mounting Hook		50
HOOK-PF-HL	Platform HB Mounting Hook with Hole		50
209381	PLTFM Latch Acetal White	White Acetal, (6) required per Shroud	216/bag
209383	PLTFM Latch Clear PC	Clear PolyCarb, (6) req. per Shroud	216/bag
209346	Gasket - Silicone for lens perimeter	Silicone gasket for IP66 assembly	Bulk
209366	Gasket - j-box cover	Silicone gasket for Shrd and Pltfm II Hsg	Bulk

\*\*Cut-out to fit Platform II Hsg

### Partner Components

Lynk Labs Patented UVDoBTM Technology		
Part Number	Description	Supplier
n/a	LynkLab 65 watt - 8" dia. AC-AC LED Board #SRC200-65W- _K-U (847)783-0123	Lynk Labs
n/a	LynkLab 100 watt - 9" dia. AC-AC LED Board #SRC200-100- _K-U (847)783-0123	Lynk Labs

### CASTING



209371

### TOP SHROUD PFI



811464

### BOTTOM LENS



811450

### LATCHES



209381



209383

### Hook



HOOK-PF-HL