



LED Light Engine Lumens

| LED Module | Driver |
|--|---|
| | TRC-1205045ST 120W |
| 12 LED Boards with 20 LEDs per Board, 240 Total LEDs | 12 Thomas Research Products LED Boards |
| | 8116.5 lm, 88.30W, 91.92lm/W |

Dimensions

6" high
13.9" diameter

Materials

Acrylic:
Clear
Moon Glow™
Lumieo™
Polycarbonate:
Clear

Accessories/Options

Mounting Hook
Lens Clips
LED Driver Cover
Aluminum Reflector
Silicone Gasket



Flat LED Board Location
Both AC/AC and AC/DC Versions

Angled LED Board Location

General Description

This multi-purpose LED fixture kit provides a Type V distribution with a main beam of 50 degrees vertical. This combination is suited for intersection, parking garage, low-bay and other general lighting applications. The LEDs are mounted 4-12" away from the optical surface which provides excellent hiding power.

Housing

This one-piece casting design can effectively dissipate up to 100W in a 40°C ambient temperature with an appropriate LED module. The cast aluminum heat sink is offered either raw or powder coated white. To achieve a wide, Parking Garage distribution, there are 12 internal LED board mounting surfaces which are canted 35 degrees from vertical. A new board mounting feature allows a variety of different board shapes and sizes without the need for any drilling or tapping. Boards may effectively be mounted on 4, 6, 8, 9 or 12 faces.

Platform II Drop Lens

The acrylic prismatic lens provides exceptional LED hiding and an excellent light distribution. Clear acrylic, Moon Glow™ acrylic, Lumieo™ acrylic and polycarbonate version are optional. This low profile lens provides the highest beam angle output option for maximum spacing. With most LED arrangements, the lens will provide at least 5% uplight, reducing apparent brightness and eliminating the cave effect.

Light Engine Requirements

Suitable light engines are 100W or less, not including driver. For angled face mounting, LEDs should have a 150° FWHM beam or narrower. Each LED, board, and mounting will be different and the customer is responsible for determining the suitability of their LED package with these components.

Approvals and/or Listings

- ETL Listed to UL1598 and 8750; file sharing program available to all customers
- IP66 Rated
- NSF International certified for NSF/ANSI Standard 2 – Food Equipment

Service Life

Please visit our website www.alpadvantage.com under the Resources section and then select Warranties for more information.

Ordering Information

Please call 877-257-5841 for pricing and delivery.

ETL File Number

102369752CHI-001 Safety
102510057CHI-001 IP

Ask us about our Multiple Listee and File sharing program for your LexaLite Brand SSL luminaires.

Contact the Optical Engineering Manager
(231) 547-6584

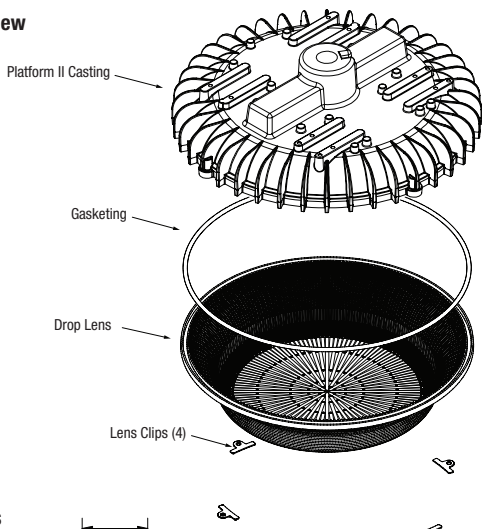
www.platformseries.com

All specifications subject to change without notice. A.L.P. Lighting Components, Inc. assumes no responsibility for these materials in any luminaire or application.

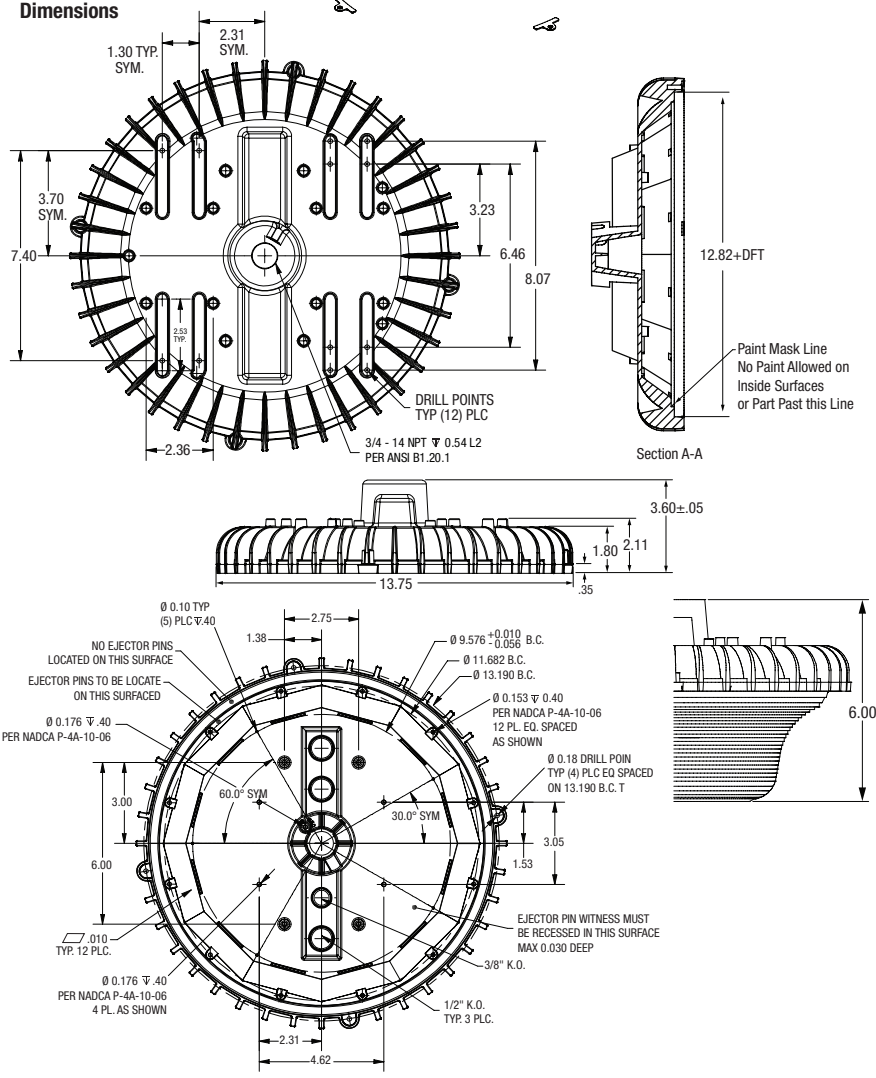
The product is an OEM component kit requiring final assembly by a qualified OEM fixture manufacturer.

Platform II with Drop Lens Multi-purpose LED fixture kit

Exploded View

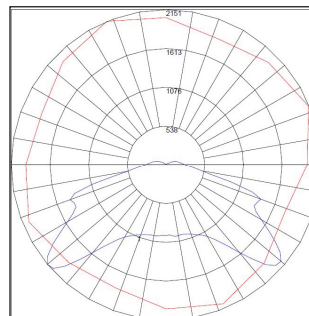


Dimensions



Fixture Performance for Reference Only

| A.L.P. LexaLite Brand Test Report 05498 | |
|---|-------------|
| Specification | Platform II |
| Input Wattage | 88.30 |
| Delivered Lumens (lms) | 8116.5 |
| Efficacy (LpW) | 91.92 |
| Voltage (V) | 120-277v |



Lumen Summary

| Zone | Lumens | %Lamp | %Fixt |
|--------|---------|-------|-------|
| 0-30 | 882.89 | n/a | 10.90 |
| 0-40 | 1722.75 | n/a | 21.20 |
| 0-60 | 4714.21 | n/a | 58.10 |
| 0-90 | 7517.60 | n/a | 92.60 |
| 90-120 | 540.11 | n/a | 6.70 |
| 90-130 | 581.97 | n/a | 7.20 |
| 90-150 | 595.46 | n/a | 7.30 |
| 90-180 | 598.42 | n/a | 7.40 |
| 0-180 | 8116.02 | n/a | 100.0 |

Materials

See the LexaLite® brand price list for current part numbers and material offerings. Up-to-date and detailed material specifications can be found in the Resources section on our website www.alpadvantage.com.

When using acrylic, the surface temperature of the lens should not exceed 80°C. When using polycarbonate. The surface temperature of the lens should not exceed 90°C.

Quality

The Platform casting is primarily a functional industrial grade component. Our pricing is based on this expectation.

Caution

Sharp edges may occur at several locations on the part. We urge customers to select the shot-blasted option which reduces this hazard and also to wear gloves when handling.

Notice

A.L.P. assumes no responsibility for suitability of these materials in any luminaire or application. Please test for fit and function prior to ordering project quantities.

While A.L.P. utilizes IESNA testing procedures and believes our testing results to be accurate, A.L.P. provides photometry for reference only. Actual results will vary based on the actual light source(s) and power source(s) used, i.e. ballast, driver, generator, etc. and the combinations in which they are used, as well as operating temperatures, and other electrical and environmental variables. We urge that customers perform their own fixture qualifications prior to making performance-based claims. In no event will A.L.P. be liable for any loss or damage, including without limitation, indirect or consequential loss or damage in connection with the use of this information.

This drawing is for reference only. Actual part dimensions will vary. Customer is urged to review actual samples to confirm fit and function. All specifications and dimensions are subject to change without notice.

Platform II with Drop Lens Multi-purpose LED fixture kit

| CASTING (Select One) | | | |
|----------------------|--|--|----------|
| Part Number | Description | Material | Qty/Case |
| 209371 | HSG/Heat Sink | Die cast alum, Raw, with 3/4" NPT thrd Hole 10 | 10 |
| LENSES (Select one) | | | |
| Part Number | Description | Material | Qty/Case |
| 833948 | Drop Lens | Acrylic Clear | 10 |
| 833949 | Drop Lens | Polycarbonate Clear | 10 |
| 833954 | Drop Lens | Acrylic Lumieo | 10 |
| 833958 | Drop Lens | Moon Glow Acrylic | 10 |
| LENS CLIPS | | | |
| Part Number | Description | Material | Qty/Case |
| 209347 | Lens Clips (4 per unit) | 040 SS PLC-0001/Recommend 4 per unit | n/a |
| REFLECTOR | | | |
| Part Number | Description | Material | Qty/Case |
| 833944 | Inner Reflector | "Specular aluminum" | 400 |
| DRIVER COVER | | | |
| Part Number | Description | | Qty/Case |
| 833980 | Platform II LED Driver Cover for 1.05" | | n/a |
| GASKET | | | |
| Part Number | Description | Material | Qty/Case |
| 209366 | Lens Gasket | Silicone DGS4U-6080-240 x 37.5" long | n/a |
| HOOK | | | |
| Part Number | Description | | Qty/Case |
| HOOK-PF | Platform HB Mounting Hook | | 50 |
| HOOK-PF-HL | Platform HB Mounting Hook with Holes | | 50 |

Partner Components

LED Board and Drivers below intended for parking garage or wide low bay applications

| Part Number | Item | Description | Supplier |
|---------------------------------|--------------------------|---|----------------------|
| 98043 | LED Board - Round | 9.1" Round with 100Nichia; 5000K, 80CRI - 89W | Norlux |
| EUC-096S280DT(ST) | LED Driver | Inventronics 2800ma driver | Inventronics |
| PLED96W-034-C2800-D | LED Driver | TRP PLED96W-034-C2800-D | Thomas Research |
| SRC237XS31A-100W-50KISD-120/277 | LED Board - Driver Combo | 9.3" Round AC-Board LED; 5000K-100W | Lynklabs "Snapbrite" |
| EUC-096S280DT(ST) | LED Driver | Inventronics 2800ma driver | Inventronics |

LED Boards and Drivers below intended for parking garage applications when used with PFII Drop Lens above; boards mounted on 12 faces

| Part Number | Item | Description | Supplier |
|-------------|-------------------|---|-----------------|
| 98038-04 | LED Board - Round | 2.5" Rect with 20 Nichia; 5000K, 80CRI - 7.75W/ea (x12?) | Norlux |
| TBD | LED Driver | INV EUC-096S045DT(ST) (Class I with 12 boards in series) | Inventronics |
| TBD | LED Driver | TRP PLED96W-213-C0450-D (Class I with 12 boards in series) TRP LED50W-111-C0450-D (Class I with 6 boards in series) TRP LED25W-18-C1400-D (2 drivers, class 2 in US&CAN with 3 boards in parallel on each driver) TRP LED50W-036-C1400-D (2 drivers, class 2 with 2 boards in series and 3 in parallel per driver) | Thomas Research |

LED Boards and Drivers below intended for parking garage applications when used with PFII Drop Lens above; boards mounted on 12 faces; 12

| Part Number | Item | Description | Supplier |
|-------------|-----------------|--|--------------------|
| TBD | LED Board -COB | Bridgelux Vero 10 5000K, 70 CRI BX-RC-50C1000-B-04 | Future Electronics |
| TBD | LED Driver (x2) | INV EUC-060S035ST (Class I with 2x6 boards in series) | Inventronics |
| TBD | LED Driver | INV EUC-120T035DT(ST) (Class I with 3x4 boards in series) | Inventronics |

GASKET (Select one)

| Part Number | Item | Description | Supplier |
|-------------|-------------|--------------------------------------|----------|
| TBD | Lens Gasket | Silicone DGS4U-6080-240 x 37.5" long | Sur-Seal |

Notes:

- Unit shall accept 10KV to 20KV surge protection devices in internal wiring.
- Unit shall accept wireless control module to be mounted on top (external).
- Drop lens may be cut in center to allow for motion / occupancy sensor.

CASTING



209371

LENS



833948

LENS CLIP



209347

GASKET



209366

Hook



HOOK-PF-HL