

General Description

A patent pending multi-purpose LED fixture kit using the new LexaLite[®] Model 352 refractor. The combination provides a Type V distribution with a main beam of 37 degrees vertical and spacing criteria of 1.8:1. This combination is suited for low-bay and other general lighting applications. The assembly can achieve an IP65 rating. The LEDs are mounted 16" away from the optical surface which provides exceptional hiding power.

Housing

The die cast aluminum housing is designed to accept multiple LED drivers while providing a separate compartment to keep the drivers and LEDs isolated. The housing has 2 conduit fittings on the periphery, a hook for mounting and cord pass through.

The finned housing serves as a highly efficient heat sink with over 500 sq. in. of surface area maximizing heat dissipation outside of the fixture. This one-piece design can effectively dissipate up to 180W in a 40°C ambient temperature. The cast aluminum heat sink is offered either raw or powder coated white. There are 12 internal LED board mounting surfaces which are canted 20 degrees from vertical. The Model 352 refractor is assembled to the housing with shoulder screws which compress a silicone gasket.

LexaLite offers custom machining of the heat sink to accommodate your LED board mounting.

Model 352 Lens

This prismatic lens provides exceptional LED hiding and an excellent light distribution. Polycarbonate versions are optional. Outline drawings are available upon request.

Inner Reflector

A specular reflector disc separates the lamp cavity from the driver cavity and helps control beam shape; also available as a white reflector version for a diffuse finish.

Light Engine Requirements

Suitable light engines are 200W or less not including driver. LEDs should have a 150° FWHM beam or narrower. Each LED, board, and mounting will be different and the customer is responsible for determining the suitability of their LED package with these components

Service Life

Please visit our website www.alpadvantage.com under the Resources section and then select Warranties for more information.

Ordering Information

Please call 877-257-5841 for pricing and delivery.

Dimensions

7.52" high
20" diameter

Housing:

Die Cast Aluminum:
Raw
Custom colors available upon request

Lenses:

Acrylic:
Clear
Lumieo[™]
Moon Glow[™]
Polycarbonate:
Clear

Reflector:

Specular aluminum reflector

Accessories/Options

Mounting Hook
351 Modified Rim
Stainless steel clips
Silicone gasket
Aluminum Reflector

Fixture Performance for Reference Only

Report Number: 04280FP

Issue Date: 05/08/12

Catalog Number: Platform 352

Luminaire: Platform LED housing with flat Miro[®]4 specular internal reflector and 352 lens after second polishing.

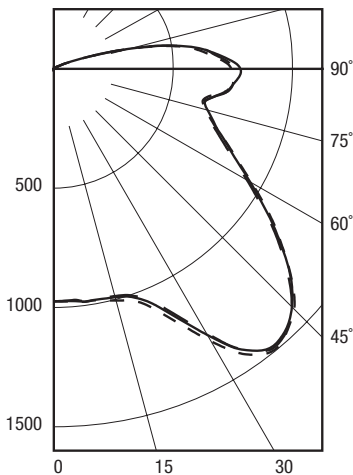
Photometric center located 1.6" below refractor rim.

Lamp: 3 Cree xml led's mounted on adco supplied boards, 12 boards for a total of 36 LEDs. LEDs are from the 280 luminous flux bin

Mounting: Pendant

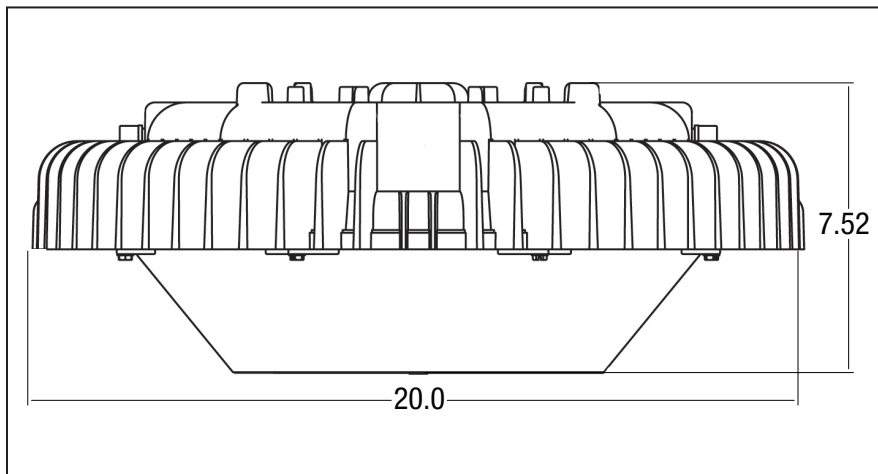
LED Driver: 96 Watt, 700mA Inventronics EUC-096S070DT

Test Procedure: IESNA LM-79-08



Lumen Summary

Zone	Lumens	% Lamp	% Fixture
0-30	894	N/A	12.2
0-40	1777	N/A	24.2
0-60	3838	N/A	52.3
0-90	6175	N/A	84.1
90-120	1155	N/A	15.7
90-130	1166	N/A	15.9
90-150	1169	N/A	15.9
90-180	1170	N/A	15.9
0-180	7345	N/A	100.00



This drawing is for reference only. Actual part dimensions will vary. Customer is urged to review actual samples to confirm fit and function. All specifications and dimensions are subject to change without notice.

Materials

See the LexaLite[®] brand price list for current part numbers and material offerings. Up-to-date and detailed material specifications can be found in the Resources section on our website www.alpadvantage.com.

When using acrylic, the surface temperature of the lens should not exceed 80°C. When using polycarbonate, the surface temperature of the lens should not exceed 90°C.

Quality

The Platform casting is primarily a functional industrial grade component. Our pricing is based on this expectation.

Caution

Sharp edges may occur at several locations on the part. Please wear gloves when handling.

Notice

A.L.P. assumes no responsibility for suitability of these materials in any luminaire or application. Please test for fit and function prior to ordering project quantities.

While A.L.P. utilizes IESNA testing procedures and believes our testing results to be accurate, A.L.P. provides photometry for reference only. Actual results will vary based on the actual light source(s) and power source(s) used, i.e. ballast, driver, generator, etc. and the combinations in which they are used, as well as operating temperatures, and other electrical and environmental variables. We urge that customers perform their own fixture qualifications prior to making performance-based claims. In no event will A.L.P. be liable for any loss or damage, including without limitation, indirect or consequential loss or damage in connection with the use of this information.

CASTING (Select One)			
Part Number	Description	Material	Qty
209377	Housing/Heat Sink	Platform Cast Hsg, Raw Aluminum	52/pallet
LENSES (Select one)			
Part Number	Description	Material	Qty/Case
833905	352 AC Refractor Type V	Acrylic Clear	26
833918	352 PC Refractor Type V	Polycarbonate Clear	26
731226	351 Tapered Drop Lens	ACRYLIC-LG w /o inside lifting prisms	20
731220	351 Tapered Drop Lens	ACRYLIC-FC w /o inside lifting prisms	20
731225	351 Tapered Drop Lens	LUMIEO ACRYLIC w /o inside lifting prisms	20
LENS CLIPS			
Part Number	Description	Material	Qty/Case
209347	Clip	040 SS PLC-0001 (ea.) Recommend 8 per unit.	80/bag
REFLECTOR			
Part Number	Description	Material	Qty/Case
833907	Reflector	Specular aluminum (94%+)	100
GASKET			
Part Number	Description	Material	Qty/Case
209346	Lens Gasket	Silicone Soft Density .235" 49.04"	n/a
HOOK			
Part Number	Description		Qty/Case
HOOK-PF	Platform HB Mounting Hook		50
HOOK-PF-HL	Platform HB Mounting Hook with Holes		50

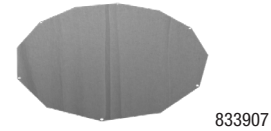
CASTING



LENS



REFLECTOR



LENS CLIP



GASKET



Hook

