

General Description

A patent pending multi-purpose LED fixture kit using the LexaLite® Model 210 refractor. The combination provides a Type V distribution with a main beam of 67 degrees vertical. This combination is suited for intersection, garage, low-bay and other general lighting applications. The assembly can achieve an IP65 rating. The LEDs are mounted 16" away from the optical surface which provides exceptional hiding power.

Housing

The die cast aluminum housing is designed to accept multiple LED drivers while providing a separate compartment to keep the drivers and LEDs isolated. The housing has 2 conduit fittings on the periphery, a hook for mounting and cord pass through.

The finned housing serves as a highly efficient heat sink with over 500 sq.in of surface area maximizing heat dissipation outside of the fixture. This one-piece design can effectively dissipate up to 180W in a 40°C ambient temperature. The cast aluminum heat sink is offered either raw or powder coated white. There are 12 internal LED board mounting surfaces which are canted 20 degrees from vertical. The Model 210 refractor is assembled to the housing with clips and screws which compress a silicone gasket.

LexaLite offers custom machining of the heat sink to accommodate your LED board mounting.

Model 210 Lens

This prismatic lens provides exceptional LED hiding and an excellent light distribution. The lens may be modified to accept an occupancy sensor in the bottom. Polycarbonate and open bottom versions are optional. A Type II refractor is also available and is intended to be used with an asymmetric light engine. Please see the specification sheet for the Model 200-215 at our website for more details.

Inner Reflector

A specular reflector disc separates the lamp cavity from the driver cavity and helps control beam shape; also available as a white reflector version for a diffuse finish.

Light Engine Requirements

Suitable light engines are 200W or less not including driver. LEDs should have a 150° FWHM beam or narrower. Each LED, board, and mounting will be different and the customer is responsible for determining the suitability of their LED package with these components.

Service Life

Please visit our website www.alpadvantage.com under the Resources section and then select Warranties for more information.

Ordering Information

Please call 877-257-5841 for pricing and delivery.

Dimensions

12.05" high
20.0" diameter

Housing:

Die Cast Aluminum:
Raw
Custom colors available upon request

Lenses:

Acrylic:
Clear
Polycarbonate:
Clear

Reflector:

Specular aluminum reflector

Accessories/Options

Mounting Hook
Stainless steel clips
Silicone gasket
Aluminum Reflector

Fixture Performance for Reference Only

Report Number: 04281FP

Issue Date: 05/08/12

Catalog Number: Platform 210

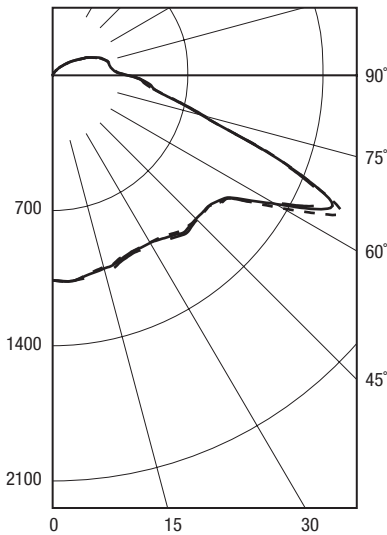
Luminaire: Platform LED Housing with Flat Miro4 Specular Internal Reflector and 210 Lens (after Rim was Thickened Slightly). Photometric Center Located 3.9" Below Refractor Rim.

Lamp: 3 Cree XML LED's Mounted on ADCO Supplied Boards, 12 Boards for a Total of 36 LED's. LED's are from the 280 Luminous Flux Bin

Mounting: Pendant

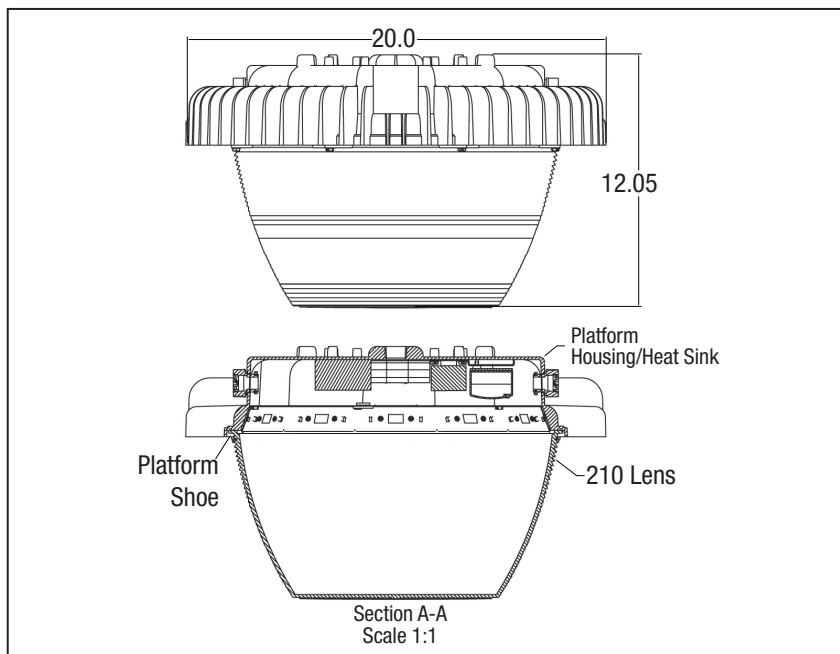
LED Driver: 96 Watt, 700mA INVENTRONICS EUC-096S070DT

Test Procedure: IESNA LM-79-08



Lumen Summary

Zone	Lumens	% Fixture
0-30	863	11.9
0-40	1514	20.8
0-60	3342	46.0
0-90	6227	85.6
90-120	864	11.9
90-130	982	13.5
90-150	1054	14.5
90-180	1059	14.6
0-180	7272	100.00



This drawing is for reference only. Actual part dimensions will vary. Customer is urged to review actual samples to confirm fit and function. All specifications and dimensions are subject to change without notice.

Materials

See the LexaLite® brand price list for current part numbers and material offerings. Up-to-date and detailed material specifications can be found in the Resources section on our website www.alpadvantage.com.

When using acrylic, the surface temperature of the lens should not exceed 80°C. When using polycarbonate, the surface temperature of the lens should not exceed 90°C.

Quality

The Platform casting is primarily a functional industrial grade component. Our pricing is based on this expectation.

Caution

Sharp edges may occur at several locations on the part. Please wear gloves when handling.

Notice

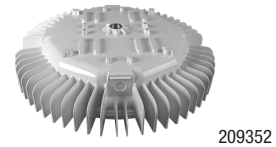
A.L.P. assumes no responsibility for suitability of these materials in any luminaire or application. Please test for fit and function prior to ordering project quantities.

While A.L.P. utilizes IESNA testing procedures and believes our testing results to be accurate, A.L.P. provides photometry for reference only. Actual results will vary based on the actual light source(s) and power source(s) used, i.e. ballast, driver, generator, etc. and the combinations in which they are used, as well as operating temperatures, and other electrical and environmental variables. We urge that customers perform their own fixture qualifications prior to making performance-based claims. In no event will A.L.P. be liable for any loss or damage, including without limitation, indirect or consequential loss or damage in connection with the use of this information.

CASTING (Select One)			
Part Number	Description	Material	Qty
209351	Housing/Heat Sink	Die cast alum, Unptd Shot Blasted, w/hole	52/pallet
LENSES* (Select one)			
Part Number	Description	Material	Qty/Case
833904	210 AC Refractor Type V	Acrylic Clear	4
LENS CLIPS			
Part Number	Description	Material	Qty/Case
209347	Clip	040 SS PLC-0001 (ea.) Recommend 8 per unit.	80/bag
REFLECTOR			
Part Number	Description	Material	Qty/Case
833907	Reflector	Specular aluminum (94%+)	100
GASKET			
Part Number	Description	Material	Qty/Case
209346	Lens Gasket	Silicone Soft Density .235" 49.04"	n/a
HOOK			
Part Number	Description		Qty/Case
HOOK-PF	Platform HB Mounting Hook		50
HOOK-PF-HL	Platform HB Mounting Hook with Holes		50

*For more lens options please refer to the Tapered Refractor Models 210 and 215.

CASTING



LENS



REFLECTOR



LENS CLIP



GASKET



Hook

