

EHB Series

4' Tube (Fluorescent & LED) and Gear Tray (LED) Types



6-row gear tray with frost acrylic lens & DC-2S end plug shown.

Description

The EHB Series brings the benefits of gasketed enclosures to High Bay and Low Bay applications. The EHB utilizes a gear tray design with symmetric hinging for easy wiring access. The contoured lens incorporates molded linear refractor ridges for lamp obscuration and glare reduction. The lenses are available in frost acrylic, for maximum lamp hiding, and clear acrylic for maximum light transmission. The housing is sealed against dust and moisture.

Certifications

- UL/cUL recognized component
- Wet Location listed
- IP65 and IP66
- Rated for 25° C ambient applications
- NSF International; certified for NSF/ANSI Standard 2 – Food Equipment and Splash Zone 2

Applications

Ideal for use in high mounting height environments where dust, dirt, or moisture is present including food processing, cold storage, sports concourses, manufacturing, and industrial.

Features

- Rigid one-piece housing construction.
- Contoured component surfaces reduce the buildup of debris and promote easy cleaning.
- Universal gear tray is symmetrically hinged for easy maintenance access via three steel hinges.
- Gear tray latches to housing via two stainless steel latches.
- Lens secured by 12 stainless steel cam latches. Optional tamper-proof screw also available.
- En-seal™ gasketing provides superior resistance to moisture absorption versus conventional gasketing.

Lamp Configurations

Tubes or Boards: available up to 6 tubes or 6 rows.

Housing

Compression molded self-extinguishing fiberglass reinforced polyester compound with UL 5VA flame rating (ASTM D635-74) and F1 weatherability rating.

Gasketing

En-Seal™ continuous perimeter poured gasket assures lens seal to housing.

Electrical Chassis

Gear trays constructed of high reflective, 22-gauge, pre-painted steel.

Conduit Entry

Standard housings available with one 7/8" conduit entry point on either or both ends. Consult Sales for other opening sizes or for top openings.

Lens

The contoured lens incorporates molded linear refractor ridges for lamp obscuration and glare reduction. The lenses are available in frost acrylic, for maximum lamp hiding, and clear acrylic.

Mounting

Stainless 316 steel mounting bracket kits available for surface, stem, chain or adjustable cable mounting.

A.L.P. submitted this fixture for wet location testing in the horizontal surface mounted position. Any other operating position should be test verified by the OEM.

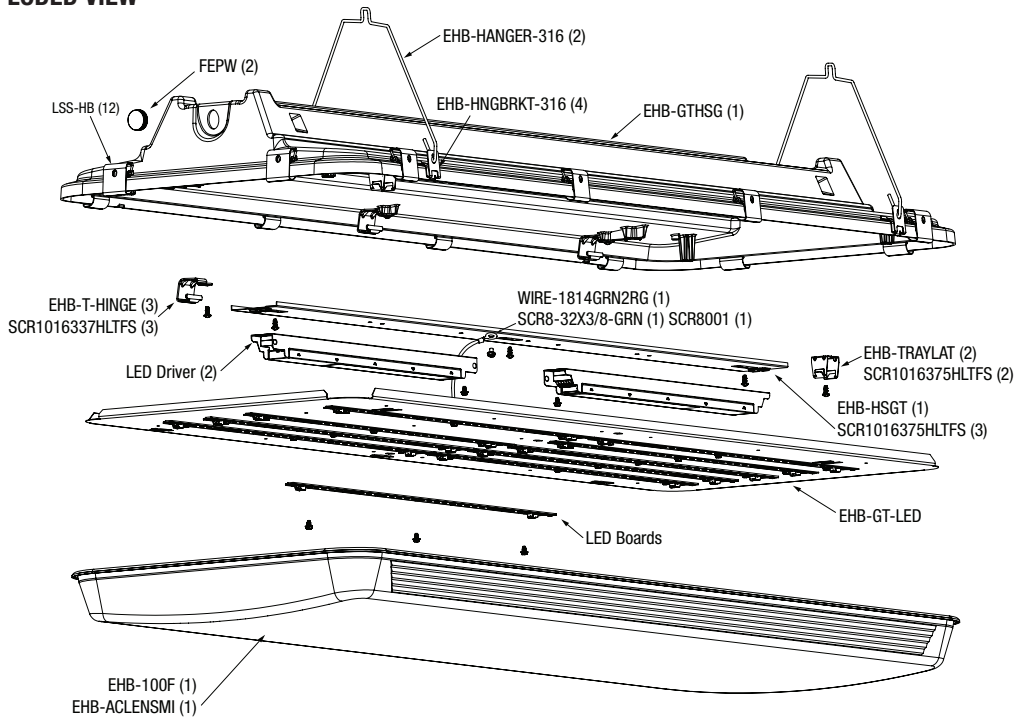
Please contact A.L.P. for pricing and delivery.

All specifications subject to change without notice. A.L.P. assumes no responsibility for these materials in any luminaire or application.

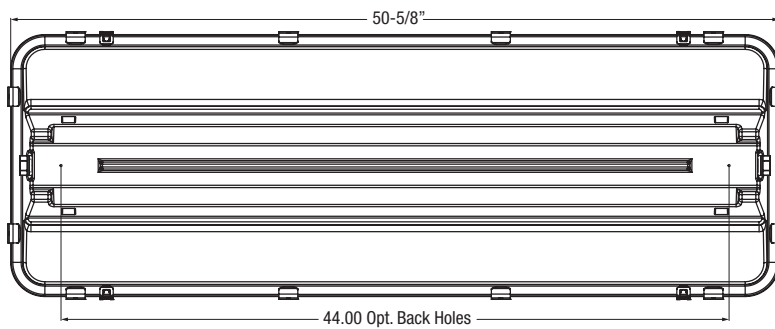
The product is an OEM component kit requiring final assembly by a qualified OEM fixture manufacturer.

Sealant required for wet location use.

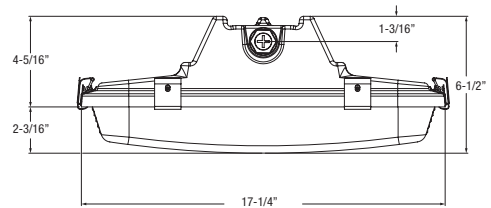
EXPLODED VIEW



TOP VIEW



END VIEW



SIDE VIEW



EHB Series

4' Tube (Fluorescent & LED) and Gear Tray (LED) Types

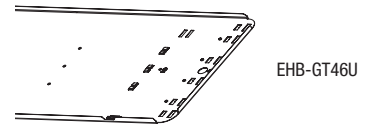
HOUSING (Requires 12 latches per housing)			
Part Number	Description	Qty/Case	Pallet
EHB-GTHSG	EHB 5VA housing white 2 -7/8" Holes	24	48
LENS (Select one)			
Part Number	Description	Qty/Case	Kit
EHB-ACLENSMI	EHB medium impact acrylic lens	12	120
EHB-100F	EHB high impact frost acrylic lens	12	120
GEAR TRAY* (Select one)			
Part Number	Description	Qty/Case	Pallet
EHB-GT-LED	EHB gear tray universal (for LED board)	n/a	n/a
EHB-GT46U	EHB gear tray 4-lamp/6-lamp universal (for tubes)	n/a	n/a
Driver Tray			
Part Number	Description	Qty/Case	Pallet
EHB-HSGT	EHB heat shield ballast gear tray (driver tray for LED board)	n/a	n/a
LATCHES			
Part Number	Description	Qty/Case	Pallet
LSS-HB	Stainless Steel EHB latch	1000	20000
WIRE ENTRY PLUGS (Select none, one or two depending on housing selected)			
Part Number	Description	Qty/Case	Pallet
FEPW	White 7/8" plastic plug	5000	NA
LTP088*	White 7/8" rubber plug	1000	NA
DC-2S*	7/8" die cast aluminum fitting assembly for 1/2" rigid conduit	200	NA
HOUSING MOUNTING OPTIONS^{2,3}			
Part Number	Description	Qty/Case	Pallet
EHB-HANGER-316	EHB hanging bracket 316 stainless steel	500	5000
EHB-HNGBRKT-316	EHB hanging bracket 316 stainless steel	1000	25000
EHB-MNTBRK-316	EHB mounting bracket 316 stainless steel assembly kit (2 BRKTS)	100	2500
MISCELLANEOUS PARTS			
Part Number	Description	Qty/Case	Pallet
EHB-TRAYLAT	EHB Stainless steel gear tray mounting clip.	1000	20000
SCR1016375HLTFS	10-16X3/8 HI-LOW PAN HD SCRW	500	10000
EHB-T-HINGE	EHB T-hinge Bracket	500	25000

Ordering Notes:

- To customize geartray, submit A.L.P. gear tray blank dwg/model with details. Pricing may be affected by design.
- Contact Sales or CS for aircraft cable hanging kit options.
- Each Housing requires two Hangers. Each Hanger requires two Brackets.

For custom hole/feature patterns, supply Order Sheet to BBS or Customer Service Representative.
 *Sealant required for wet location use.

GEAR TRAYS



OPTIONAL DRIVER TRAY COMPONENTS



LATCHES



HINGES



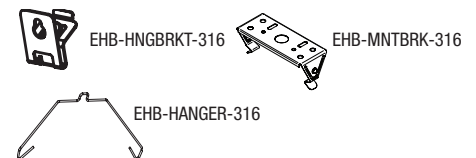
WIRE ENTRY PLUGS



LENSES



HOUSING MOUNTING BRACKETS



MISCELLANEOUS PARTS

