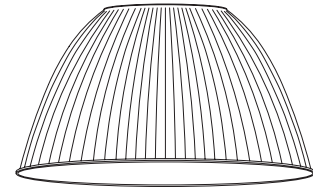


Model 825

**Dimensions**

13.96" high
25" diameter

Materials

Acrylic:
Clear
Moon Glow™
Lumieo™
Polycarbonate:
Clear

Accessories/Options

Smooth Collar
Wire Guard
Stainless Steel clamp band

General Description

The Model 825 is an energy efficient 25" diameter prismatic Reflexor[®] designed to be used in open or closed luminaires.

Features and Benefits

- Rated up to 1000 watts.
- Provides glare-control and lamp/light source hiding mechanisms.
- Widens the distribution pattern of the light.
- Provides uniform illuminance.
- Available in UV stabilized Acrylic in Clear, Moon Glow™ (for moderate diffusion), or Lumieo™ (for greater diffusion) for high efficiency in general lighting.
- Additional up-light is provided with the use of material such as Moon Glow or Lumieo.
- Available in Clear Polycarbonate for areas where breakage and high ambient heat are concerns.
- Used with collars for 10.06" open tops, or with closed flat top for custom/ customer hole patterns to best fit Light Engine of choice.

Applications

The Model 825 is designed to be used in industrial, manufacturing, warehouse, athletic facility, natatoriums, office, and retail spaces. It is exceptionally suited for high-mounting heights of 32-48 feet. The AC-FC lens is recommended for LED applications and the AC-LG lens for HID applications.

Polycarbonate material is recommended for use in high ambient heat areas, as ratings are 10-15 degrees higher than acrylics.

Before final installation of Reflexors, dissipate static on parts by spraying with de-staticized air or by wiping with a clean, damp rag. This will help minimize dust build up on the Reflexor.

Service Life

The service life of acrylic refractors is virtually unlimited when used within the recommended temperature limit. Polycarbonate refractors are subject to yellowing especially when used with high ultraviolet output light sources; this effect is enhanced at high temperatures.

Ordering Information

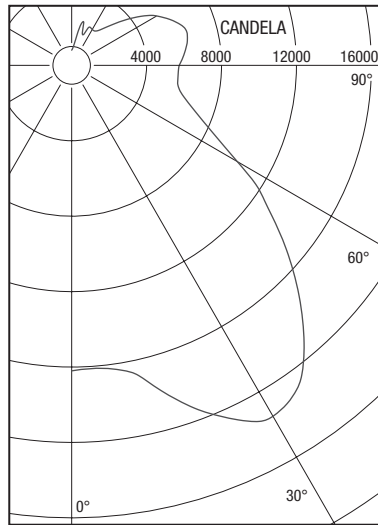
Please call 877-257-5841 for pricing and delivery.

For customized cuts please fill out a 825 Order sheet located on our website www.alpadvantage.com or contact your customer service representative

Fixture Performance for Reference Only

Report Number: ITL41525
Total Luminaire Efficiency: 89.6%
CIE Type: Semi-Direct
Luminaire Spacing Criteria: 1.7

Tested in accordance with IES standards.
 Lamp is a 1,000 watt phosphor coated metal halide. Lumen rating = 115000. Lamp center located at 8 inches above lower rim.



Lumen Summary

Zone	Lumens	% Lamp	% Fixture
0-30	16164	14.1	15.7
0-40	29078	25.3	28.2
0-60	53626	46.6	52.1
0-90	74472	64.8	72.3
90-120	18971	16.5	18.4
90-130	23082	20.1	22.4
90-150	26879	23.4	26.1
90-180	28536	24.8	27.7
0-180	103008	89.6	100.

Materials

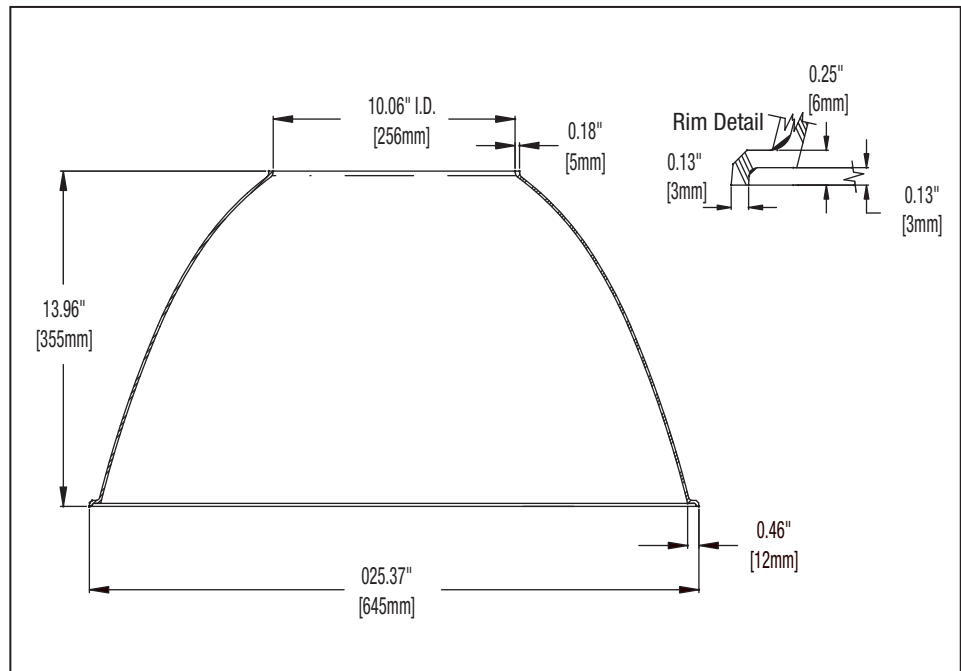
See the LexaLite® brand price list for current part numbers and material offerings. Up-to-date and detailed material specifications can be found in the Resources section on our website www.alpadvantage.com.

When using acrylic, the surface temperature of the lens should not exceed 80°C. When using polycarbonate. The surface temperature of the lens should not exceed 90°C.

Notice

A.L.P. assumes no responsibility for suitability of these materials in any luminaire or application. Please test for fit and function prior to ordering project quantities.

While A.L.P. utilizes IESNA testing procedures and believes our testing results to be accurate, A.L.P. provides photometry for reference only. Actual results will vary based on the actual light source(s) and power source(s) used, i.e. ballast, driver generator, etc. and the combinations in which they are used, as well as operating temperatures, and other electrical and environmental variables. We urge that customers perform their own fixture qualifications prior to making performance based claims. In no event will A.L.P. be liable for any loss, damage, including without limitation, indirect or consequential loss or damage in connection with the use of this information.



This drawing is for reference only. Actual part dimensions will vary. Customer is urged to review actual samples to confirm fit and function. All specifications and dimensions are subject to change without notice.