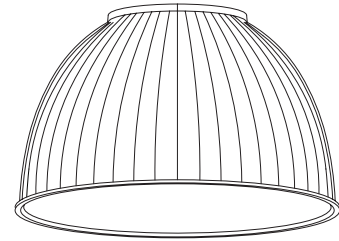


Model 822GV

**Dimensions**

13.40" high
 22" diameter

Materials

Acrylic:
 Clear

Accessories/Options

Conical Drop Lens
 622 Drop lens
 Smooth Flat Lens
 Stainless Steel Clampband (For use with all
 bottom lenses except the 622)
 Aluminum clamp band (For 622 use only)
 Wire Guard

General Description

This energy efficient 22" diameter prismatic Reflexor® is a lighter weight version of the Model 822 Reflexor®, and is designed to be used in open luminaires.

Features and Benefits

- Rated up to 400 watts.
- Provides glare-control and lamp/light source hiding mechanisms.
- Widens the distribution pattern of the light.
- Provides uniform illuminance.
- Available in UV stabilized Acrylic in Clear for high efficiency in general lighting.
- Used with collars for 10.06" open tops.

Applications

The 822GV is designed to be used in industrial, manufacturing, warehouse, grocery, athletic facility, natatoriums, and retail spaces. It is exceptionally suited for high-mounting heights of 28-40 feet. The AC-FC lens is recommended for LED applications and the AC-LG lens for HID applications.

Before final installation of Reflexors, dissipate static on parts by spraying with de-staticized air or by wiping with a clean damp rag. This will help minimize dust build up on the Reflexor.

Service Life

The service life of acrylic refractors is virtually unlimited when used within the recommended temperature limit. Polycarbonate refractors are subject to yellowing especially when used with high ultraviolet output light sources; this effect is enhanced at high temperatures.

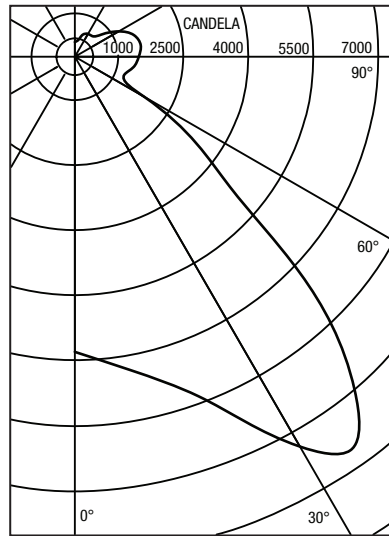
Ordering Information

Please call 877-257-5841 for pricing and delivery.

Fixture Performance for Reference Only

Report Number: ITL53357
Total Luminaire Efficiency: 92.7%
CIE Type: Semi-Direct
Luminaire Spacing Criterion: 1.6

Tested in accordance with IES standards.
 Lamp is a 400 watt phosphor coated metal halide lamp. Lumen rating = 36,000. Lamp center located at 8.75 inches above lower rim.



Lumen Summary

Zone	Lumens	%Lamp	% Fixture
0-30	7214	20.0	21.6
0-40	14039	39.0	42.1
0-60	22335	62.1	67.0
0-90	26567	73.8	79.6
90-120	4574	12.7	13.7
90-130	5451	15.1	16.3
90-150	6368	17.7	19.1
90-180	6808	18.9	20.4
0-180	33375	92.7	100.00

Materials

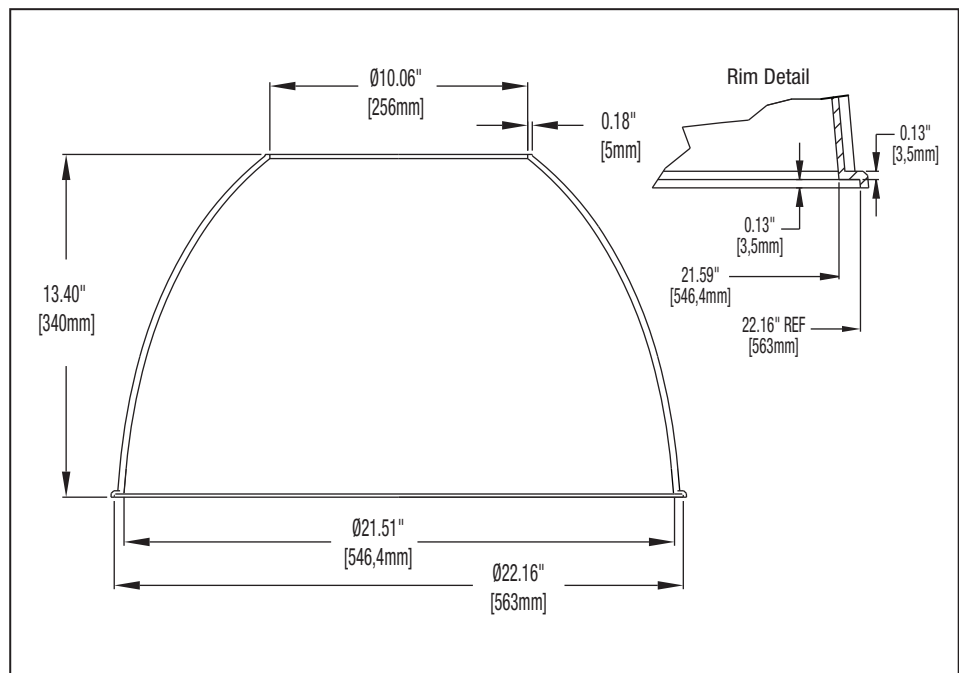
See the LexaLite® brand price list for current part numbers and material offerings. Up-to-date and detailed material specifications can be found in the Resources section on our website www.alpadvantage.com.

When using acrylic, the surface temperature of the lens should not exceed 80°C. When using polycarbonate. The surface temperature of the lens should not exceed 90°C.

Notice

A.L.P. assumes no responsibility for suitability of these materials in any luminaire or application. Please test for fit and function prior to ordering project quantities.

While A.L.P. utilizes IESNA testing procedures and believes our testing results to be accurate, A.L.P. provides photometry for reference only. Actual results will vary based on the actual light source(s) and power source(s) used, i.e. ballast, driver generator, etc. and the combinations in which they are used, as well as operating temperatures, and other electrical and environmental variables. We urge that customers perform their own fixture qualifications prior to making performance based claims. In no event will A.L.P. be liable for any loss, damage, including without limitation, indirect or consequential loss or damage in connection with the use of this information.



This drawing is for reference only. Actual part dimensions will vary. Customer is urged to review actual samples to confirm fit and function. All specifications and dimensions are subject to change without notice.