

Model 822

### General Description

This energy efficient 22" diameter prismatic Reflexor<sup>®</sup> is designed to be used in either open or closed luminaires.

### Features and Benefits

- Rated up to 400 watts.
- Provides glare-control and lamp/light source hiding mechanisms.
- Widens the distribution pattern of the light.
- Provides uniform illuminance.
- Available in UV stabilized Acrylic in Clear, Moon Glow<sup>™</sup> (for moderate diffusion), Lumieo<sup>™</sup> (for greater diffusion) for high efficiency in general lighting or Interface<sup>®</sup> version yields high down light efficiency and a gentle glow for maximum brightness control.
- Additional up-light is provided with the use of material such as Moon Glow or Lumieo.
- Available in Clear Polycarbonate for areas where breakage and high ambient heat are concerns.
- Used with collars for 10.06" open tops, or with closed flat top for custom/ customer hole patterns to best fit Light Engine of choice.

### Applications

The Model 822 is designed to be used in industrial, manufacturing, warehouse, grocery, athletic facility, natatoriums, office spaces, and retail spaces. It is exceptionally suited for high-mounting heights of 28-40 feet. The AC-FC lens is recommended for LED applications and the AC-LG lens for HID applications.

Polycarbonate material is recommended for use in high ambient heat areas, as ratings are 10-15 degrees higher than acrylics.

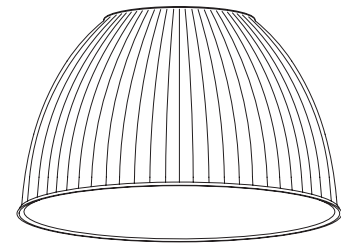
Before final installation of Reflexors<sup>®</sup>, dissipate static on parts by spraying with de-staticized air or by wiping with a clean, damp rag. This will help minimize dust build up on the Reflexor.

### Service Life

The service life of acrylic refractors is virtually unlimited when used within the recommended temperature limit. Polycarbonate refractors are subject to yellowing especially when used with high ultraviolet output light sources; this effect is enhanced at high temperatures.

### Ordering Information

Please call 877-257-5841 for pricing and delivery.



### Dimensions

13.40" high  
22" diameter

### Materials

Acrylic:  
Clear  
Moon Glow<sup>™</sup>  
Lumieo<sup>™</sup>  
Interface<sup>®</sup>  
Polycarbonate:  
Clear

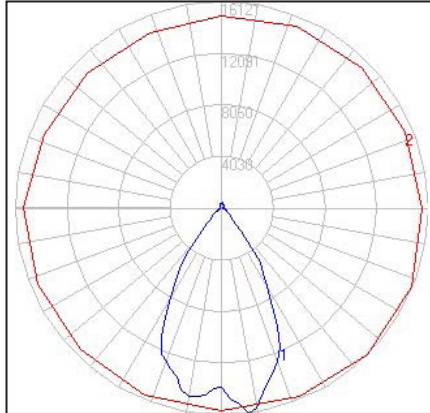
### Accessories/Options

Conical Drop Lens  
622 Drop Lens  
Smooth Flat Lens  
Stainless Steel Clampband (For use with all bottom lenses except the 622)  
Aluminum clamp band (For 622 use only)  
Wire Guard

For customized cuts please fill out a 822 Order sheet located on our website [www.alpadvantage.com](http://www.alpadvantage.com) or contact your customer service representative

### 822 Fixture Performance for Reference Only

**Issue Date:** 8/16/16  
**Prepared For:** A.L.P. LexaLite Brand  
**Catalog Number:** 822 Clear LG  
 Prismatic Reflexor  
**Luminaire:** Generic LED  
**Lamp:** Cree LED Board of 68 LEDs  
**Mounting:** Pendant  
**Driver:** Inventronics EUD-200S070DT  
**Watts:** 157.23  
**Lumens per Watt:** 107.14

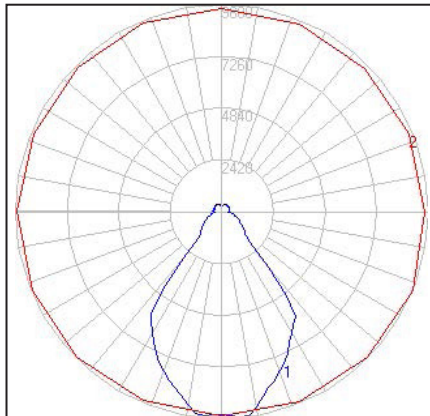


### Lumen Summary

Zone	Lumens	% Fixture
0-30	10188.59	60.48
0-40	13695.83	81.30
0-60	15155.89	89.97
0-90	15837.05	93.99
90-110	215.52	1.28
90-130	459.22	2.73
90-150	735.95	4.37
90-180	1011.86	6.01
0-180	16845.91	100.00

### 822i Fixture Performance for Reference Only

**Issue Date:** 8/22/16  
**Prepared For:** A.L.P. LexaLite Brand  
**Catalog Number:** 822i Interface  
 Prismatic Reflexor  
**Luminaire:** Generic LED  
**Lamp:** Cree LED Board of 68 LEDs  
**Mounting:** Pendant  
**Driver:** Inventronics EUD-200S070DT  
**Watts:** 157.34  
**Lumens per Watt:** 106.63



### Lumen Summary

Zone	Lumens	% Fixture
0-30	6689.48	39.87
0-40	10307.22	61.44
0-60	12488.69	74.44
0-90	14325.47	85.39
90-110	828.79	4.94
90-130	1566.57	9.34
90-150	2163.61	12.90
90-180	2451.11	14.61
0-180	16776.58	100.00

### Materials

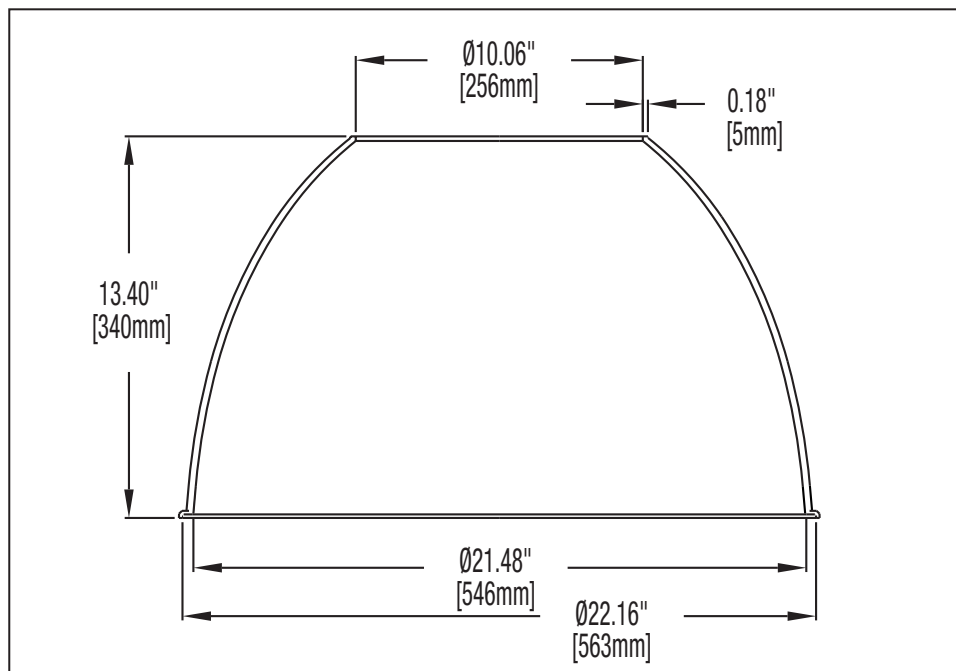
See the LexaLite® brand price list for current part numbers and material offerings. Up-to-date and detailed material specifications can be found in the Resources section on our website [www.alpadvantage.com](http://www.alpadvantage.com).

When using acrylic, the surface temperature of the lens should not exceed 80°C. When using polycarbonate. The surface temperature of the lens should not exceed 90°C.

### Notice

A.L.P. assumes no responsibility for suitability of these materials in any luminaire or application. Please test for fit and function prior to ordering project quantities.

While A.L.P. utilizes IESNA testing procedures and believes our testing results to be accurate, A.L.P. provides photometry for reference only. Actual results will vary based on the actual light source(s) and power source(s) used, i.e. ballast, driver generator, etc. and the combinations in which they are used, as well as operating temperatures, and other electrical and environmental variables. We urge that customers perform their own fixture qualifications prior to making performance based claims. In no event will A.L.P. be liable for any loss, damage, including without limitation, indirect or consequential loss or damage in connection with the use of this information.



*This drawing is for reference only. Actual part dimensions will vary. Customer is urged to review actual samples to confirm fit and function. All specifications and dimensions are subject to change without notice.*