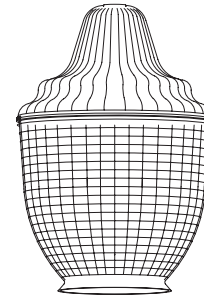




Model 424 Lumieo® Type V shown as one-piece (glued)


Dimensions

23.16" Height
 15.9" diameter
 8" or 9" fitters

Materials

Acrylic:
 Clear
 Lumieo®
 Polycarbonate:
 Clear

Accessories/Options

Prismatic Top
 Perforated LiteLid®
 Non-Perforated LiteLid
 Clamp band
 One-piece (glued)
 Finial
 Aluminum Neck Ring
 Post Top Fitter

General Description

A.L.P. Lexalite® The Lindy Model 424 refractor and prismatic top feature a traditional turn-of-the-century shape and cutting edge photometric performance. Assembled refractor bottom and top are 15.9" in diameter, 23.16" high and are available in 8" or 9" diameter fitters. It can be shipped as a one-piece (glued), one per carton or shipped as components with clamp band for field assembly.

Features and Benefits

- Rated up to 250watts
- Choice of: No LiteLid®, a perforated LiteLid (enough upward light for a pleasing glow) or a non-perforated LiteLids (no upward light in lighting fixture). Both decrease upward light 30-40% and increases downlight by 20-25%
- Available in Type III which provides roadway and parking area lighting and Type V symmetrical lighting.
- Available in UV stabilized Acrylic in Clear or Lumieo® (for greater diffusion) for high efficiency in general lighting.
- Clear Polycarbonate options for areas where breakage and high ambient heat are concerns.

Applications

The Lindy Model 424 refractor and prismatic top are for use in parks, along walkways, roadways or areas where a distinctive nostalgic theme is prevalent. Compatible with HID and LED lamp sources and poles with the height of 10' to 20'.

Before final installation, dissipate static on parts by spraying with de-staticized air or by wiping with a clean damp rag. This will help minimize dust build up.

Service Life

The service life of acrylic refractors is virtually unlimited when used within the recommended temperature limit. Polycarbonate refractors are subject to yellowing especially when used with high ultraviolet output light sources; this effect is enhanced at high temperatures.

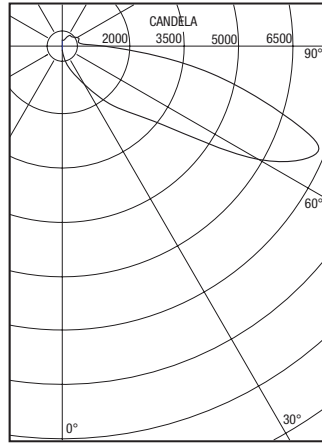
Ordering Information

Please call 877-257-5841 for pricing and delivery. Typical lead time is 2-4 weeks.

Type III Fixture Performance for Reference Only

Report Number: ITL48610
Total Luminaire Efficiency:
 81.25%
IES Classification: Type III,
 medium, non-cutoff

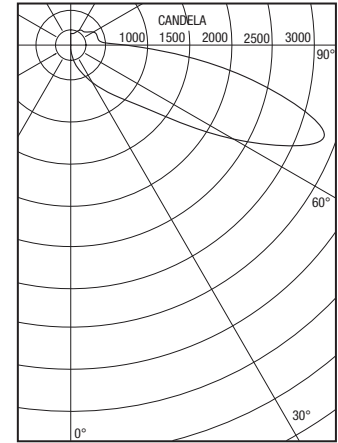
Tested in accordance with IES standards. Photometry based on a 150W diffuse HPS lamp



Type V Fixture Performance for Reference Only

Report Number: ITL48623
Total Luminaire Efficiency:
 81.72%
IES Classification: Type V
 semi-cutoff

Tested in accordance with IES standards. Photometry based on a 150W diffuse HPS lamp



Materials

See the Lexalite® brand price list for current part numbers and material offerings. Up-to-date and detailed material specifications can be found in the Resources section on our website www.alpadvantage.com.

When using an acrylic Model 424, the surface temperature of the refractor should not exceed 80°C. When using a polycarbonate Model 424, the surface temperature of the refractor should not exceed 90°C.

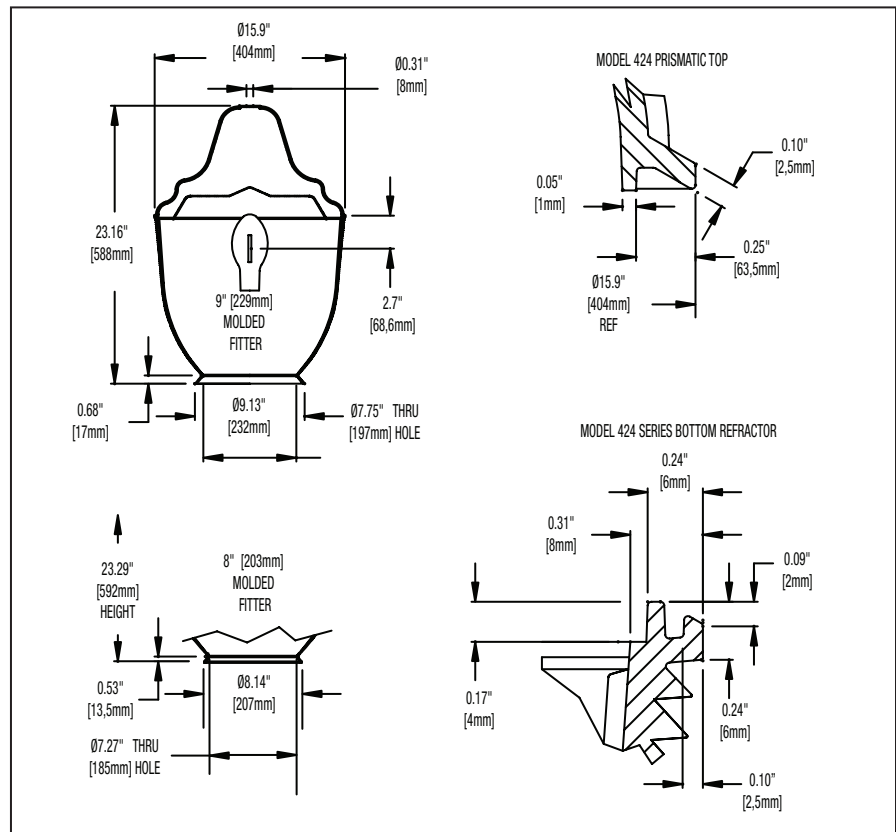
Adhesive note

The adhesive offers superior flexibility and adhesion for a durable, 100% waterproof and weatherproof seal that won't crack or shrink. It stays flexible to withstand expansion and contraction caused by temperature and weather fluctuations. The crystal-clear adhesive blends seamlessly with substrates. It can be applied in extreme temperatures: 20°F to 120°F and adheres to wet/damp surfaces. Once cured, the sealant is mold and mildew resistant. It is low in odor and VOC compliant. Meets ASTM C920, Class 25.

Notice

A.L.P. assumes no responsibility for suitability of these materials in any luminaire or application. Please test for fit and function prior to ordering project quantities.

While A.L.P. utilizes IESNA testing procedures and believes our testing results to be accurate, A.L.P. provides photometry for reference only. Actual results will vary based on the actual light source(s) and power source(s) used, i.e. ballast, driver generator, etc. and the combinations in which they are used, as well as operating temperatures, and other electrical and environmental variables. We urge that customers perform their own fixture qualifications prior to making performance based claims. In no event will A.L.P. be liable for any loss, damage, including without limitation, indirect or consequential loss or damage in connection with the use of this information.



These drawings are for reference only. Actual part dimensions will vary. Customer is urged to review actual samples to confirm fit and function. All specifications and dimensions are subject to change without notice.