

### Suspension Kit(s)

9031003-10-LE

10' cable looped end

9031003-10-CC

10' cable ceiling coupler

### Cable Diameter

1.2mm

### Safe Working Load

30 lbs. per gripper

### General Description

Lighting grippers and suspension kits from A.L.P. offer value, versatility and field adjustability. Featuring the latest technology in ceiling fixture suspension, A.L.P.'s systems are both durable and flexible. Fixtures are raised and lowered on the suspension wire for fast, cost-effective installation and easy adjustment, with significantly lower labor cost. Crafted of the highest quality material, including internal stainless steel ball bearings, these kits offer the integrity that lighting OEMs require.

### Application

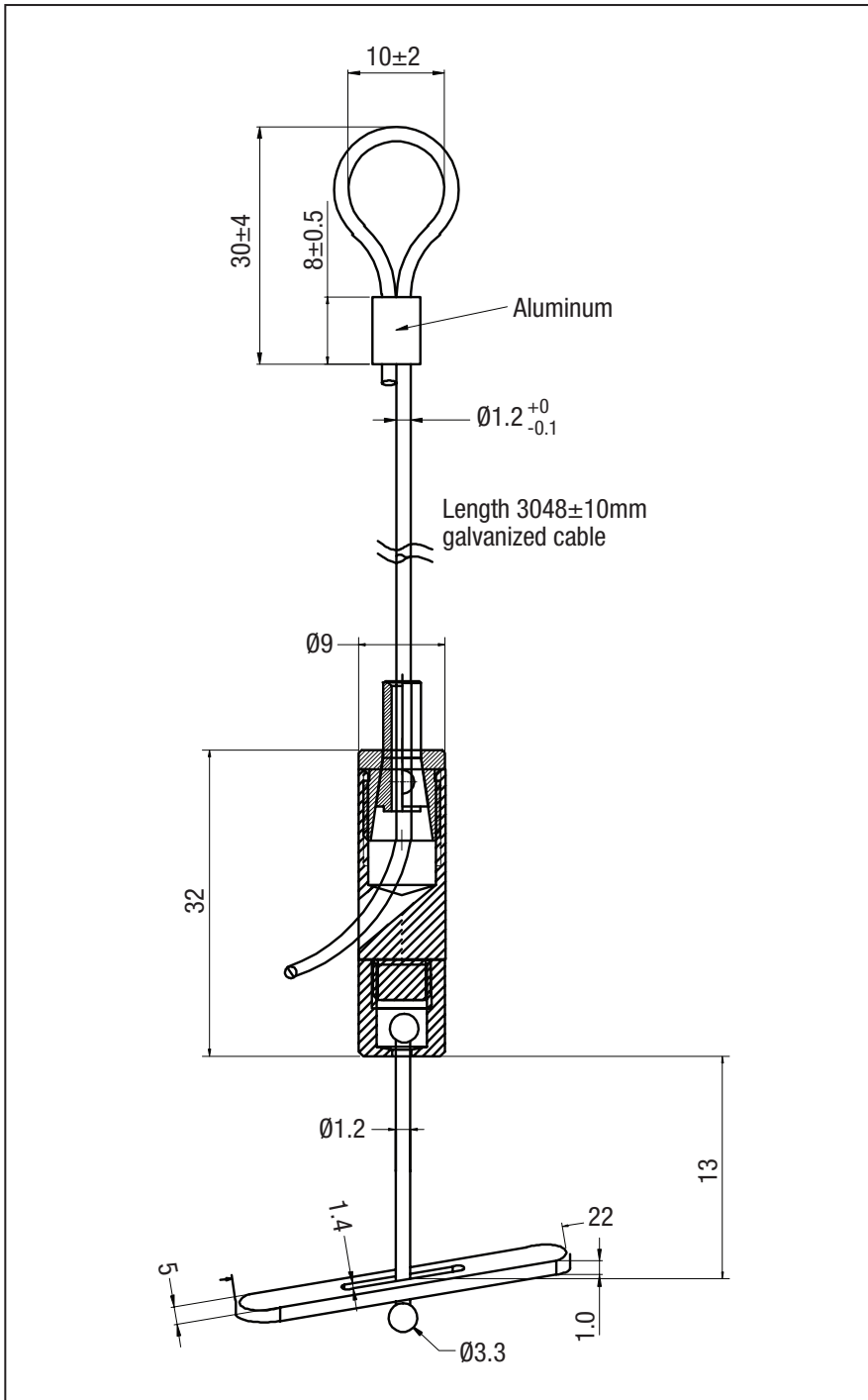
For use with strips and linear architectural fixtures.

### Features and Benefits

- Hanging system specifically designed for today's narrower LED strips and linear architectural fixtures.
- Designed to allow easy fixture height adjustment without the need to disassemble in the field.
- Toggles will work with virtually any slot or hole dimensions.
- Ceiling attachment options include either a looped end cable- to cinch around a strut- or a ceiling coupler to affix directly to ceiling.

### Ordering Information

Please call 877-257-5841 for price and delivery.



### General Description

Integrated gripper with toggle stops, kitted with cable

### Materials

Galvanized steel cable, brass gripper body, stainless steel ball bearings

### Capacity

30 lbs. per gripper

### Color/Finish

Silver

### Ordering Information

Boxed 100/carton

### Notice

A.L.P. assumes no responsibility for the suitability of these materials in any luminaire or application. Suspension products are for indoor use only and are not suitable for industrial settings in which harsh chemicals, vibration, and other hazards are present.