



CKP-X



CKNP-X

## Description

Canopy kits from A.L.P. feature both feed and non-feed suspension systems. Select from one of five gripper options for a complete solution providing a fast clean mounting of linear direct/indirect type fixtures and other suspended luminaires. The cable gripper allows for fixture height adjustment in the field without tools.

Hardware for either junction box (power feed) or drop ceiling (non-feed). Installation instructions included.

Packaged and labeled per order. Custom kitting is available per your specifications

## Features

- Cost-effective installation
- Tool-free height adjustment
- Grippers feature internal carbon steel ball bearings
- Five gripper options; to order, simply select kit and gripper to suit the application
- With or without power cord
- Kitted and bagged with installation instructions for a turnkey solution

## Application

For use in offices, conference rooms, reception areas, classrooms, retail displays, replacement and retrofit applications.

## Notice

Dimensions subject to change without notice.

## Ordering Information

Please call 877-257-5841 for price and delivery.

## Canopy

White, painted steel

## Canopy diameter

5"

## Cable Length

72"

## Cable Diameter

1.5mm (1/16")

## Cord

72" SJT 18/3  
White Power Cord  
with cord guide

## Hardware

Power Feed Kit:  
J-Box bracket  
Canopy  
Cord with guide  
Cable  
Coupler

Non-Power Feed Kit:  
T-Bar bracket  
Canopy  
Cable  
Coupler

## Gripper Choices

1/4-20 Bottom Exit  
1/4-20 Side Exit  
1/4 I.P.  
3/8 I.P.  
Yoke/Toggle

### Hardware

Power Feed Kit:	Non-Power Feed Kit:
J-Box bracket	T-Bar bracket
Canopy	Canopy
Cord with guide	Cable
Cable	Coupler
Coupler	

### Gripper Choices

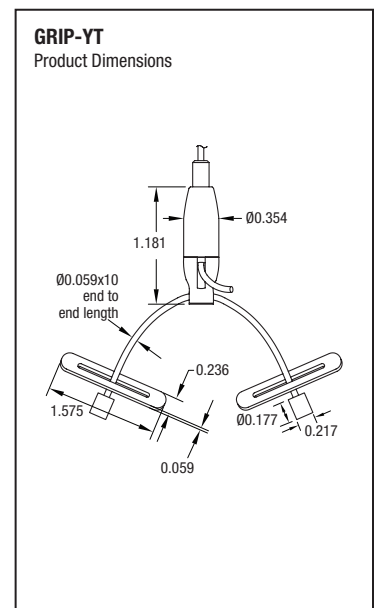
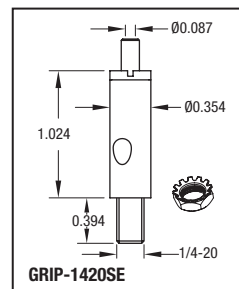
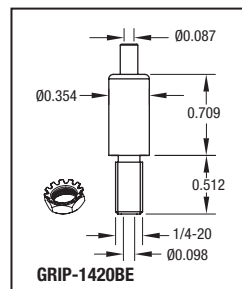
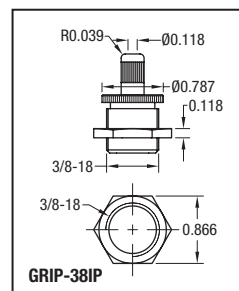
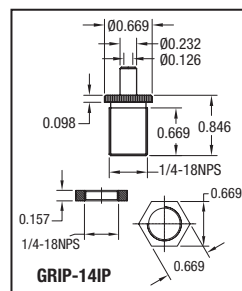
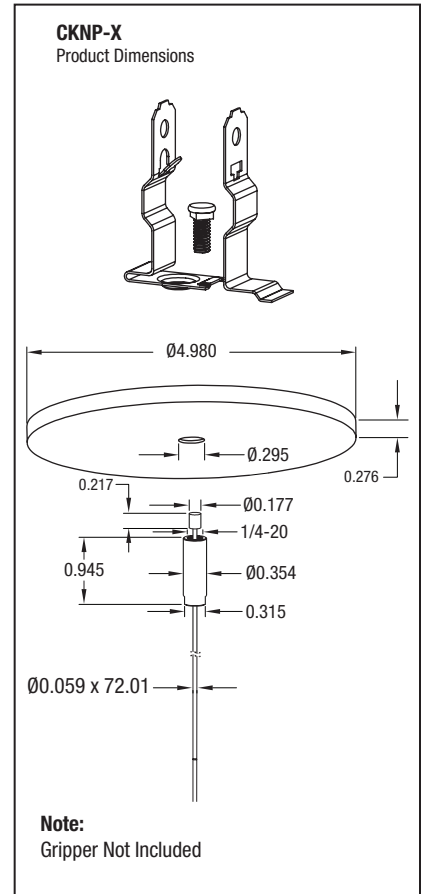
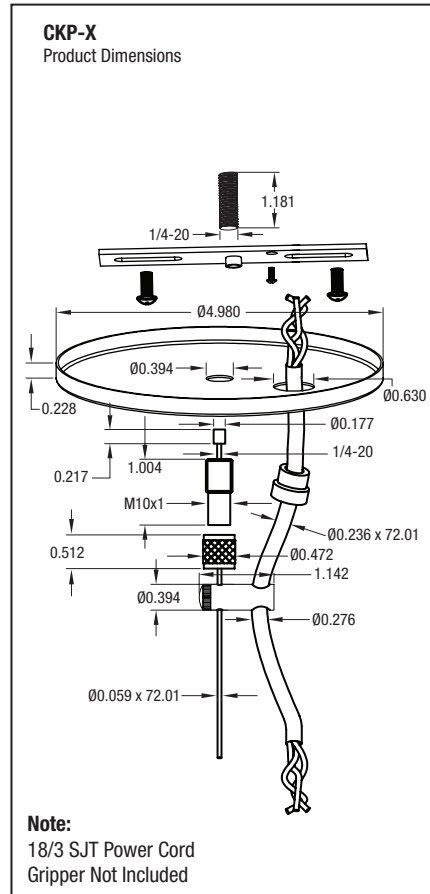
- 1/4-20 Bottom Exit
- 1/4-20 Side Exit
- 1/4 I.P.
- 3/8 I.P.
- Yoke/Toggle

Part Number	Description
Canopy Kits (gripper not included)	
CKP-X	Canopy Kit- 72" cable, 72" power, no gripper
CKNP-X	Canopy Kit- 72" cable, no power, no gripper

Part Number	Description
Power Canopy Kits (gripper included)	
CKP-1420BE-K	Bottom exit 1/4-20 UNC with kep nut
CKP-1420SE-K	Side exit 1/4-20 UNC with kep nut
CKP-YT-K	Yoke and toggle with set screw
CKP-38IP-K	3/8-IP gripper with hex nut
CKP-14IP-K	1/4-IP gripper with hex nut

Part Number	Description
Non-Power Canopy Kits (gripper included)	
CKNP-1420BE-K	Bottom exit 1/4-20 UNC with kep nut
CKNP-1420SE-K	Side exit 1/4-20 UNC with kep nut
CKNP-YT-K	Yoke and toggle with set screw
CKNP-38IP-K	3/8-IP gripper with hex nut
CKNP-14IP-K	1/4-IP gripper with hex nut

Part Number	Description
Gripper Only	
GRIP-1420BE	Bottom exit 1/4-20 UNC with kep nut
GRIP-1420SE	Side exit 1/4-20 UNC with kep nut
GRIP-YT	Yoke and toggle with set screw
GRIP-38IP	3/8-IP gripper with hex nut
GRIP-14IP	1/4-IP gripper with hex nut



### Notice

A.L.P. assumes no responsibility for the suitability of these materials in any luminaire or application. Suspension products are for indoor use only and are not suitable for industrial settings in which harsh chemicals, vibration, and other hazards are present.