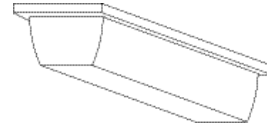




Series I43

**Materials**

Acrylic:

Clear

White

Polycarbonate:

Clear

White

General Description

These injection molded lenses are manufactured using clear and white acrylic or clear and white polycarbonate material. The Series I43 are capable of being used with HID, incandescent, CFL and various other fluorescent lamps depending on the luminaire.

Features and Benefits

- The prism design provides the ultimate light control with maximum efficiency.
- The polycarbonate version of these lenses will protect the light source against abuse, such as severe impact and vandalism.
- Series I43 components are capable of being used with HID, incandescent, CFL and various other fluorescent lamps depending on the luminaire.

Applications

The Series I43 Security Lenses are suitable for interior and exterior applications. The NEC requires luminaires listed for use with metal halide lamps to either utilize an open-fixture rated lamp. Safety Standard 1598 clause 16.29 or equivalent. Records of this testing are the responsibility of the luminaire manufacturer.

The reflector/housing design will impact operating temperatures. Thermal survey testing is advised.

Before final installation of Reflexors[®], dissipate static on parts by spraying with de-staticized air or by wiping with a clean, damp rag. This will help minimize dust build up on the Reflexor[®].

Service Life

The service life of acrylic refractors is virtually unlimited when used within the recommended temperature limit. Polycarbonate refractors are subject to yellowing especially when used with high ultraviolet output light sources; this effect is enhanced at high temperatures.

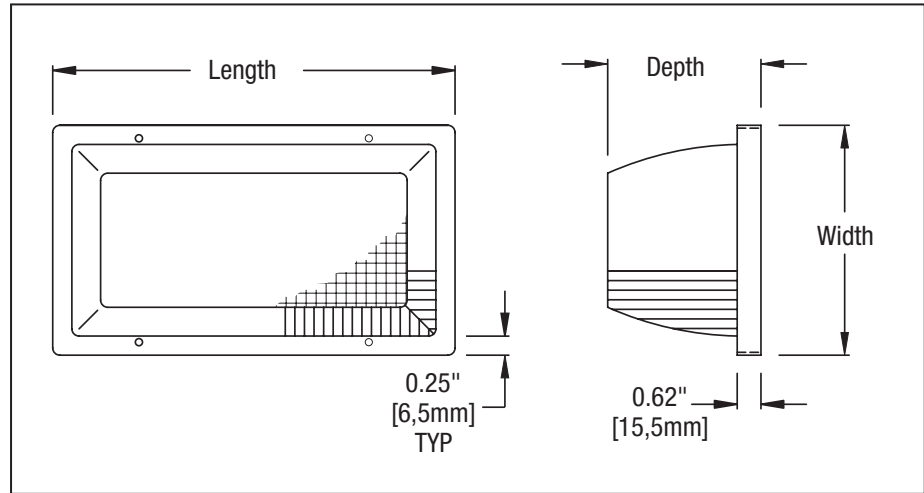
Ordering Information

Please call 877-257-5841 for pricing and delivery.

Materials

See the LexaLite[®] brand price list for current part numbers and material offerings. Up-to-date and detailed material specifications can be found in the Resources section on our website www.alpadvantage.com.

When using acrylic, the surface temperature of the lens should not exceed 80°C. When using polycarbonate, the surface temperature of the lens should not exceed 90°C.



This drawing is for reference only. Actual part dimensions will vary. Customer is urged to review actual samples to confirm fit and function. All specifications and dimensions are subject to change without notice.

Series I43 Security Lenses

Size	Depth
5-1/4" x 7-5/8"	4"
6" x 10-1/2"	4"