

## General Description

Modular Highbay Kits from A.L.P. Lighting feature common parts so you can offer your customers a wide variety of highbay options with minimal stocking requirements.

## Features and Benefits

- Engineered for both T5 and T8 lamps
- Compound Acrylic and high-reflectance white or Miro4 specular optics serve a wide range of high and low bay applications
- High-impact injection molded ABS end cap provides a sleek finish for an application
- Engineered linear acrylic reflector design combines efficient reflection and refraction to manage brightness while delivering even direct illumination
- Convective air path created through the compound reflector panel draws airborne particles away from the upward facing optical surfaces
- Strategically located venting maintains efficient lamp operation while cooling the ballast cavity

## Applications

For most industrial or retail applications where low or high bay units are required, installations could include, warehouses, distribution centers, manufacturing facilities, retail stores etc.

## Ordering Information

Please call 877-257-5841 for price and delivery.

## Notice

A.L.P. assumes no responsibility for suitability of these materials in any luminaire or application.

Please test for fit and function prior to ordering project quantities.

Dimensions subject to change without notice. This product is an OEM component kit requiring final assembly by a qualified OEM fixture manufacturer. This product is not a complete fixture assembly.

## Reflector Material

Miro4™ or Baked White Enamel and Virgin DR Acrylic

## Housing Material

Die formed CRS

## EndCaps

High Impact injection molded ABS

## Mounting

Designed for surface, pendant, stem, chain hanging or aircraft cable

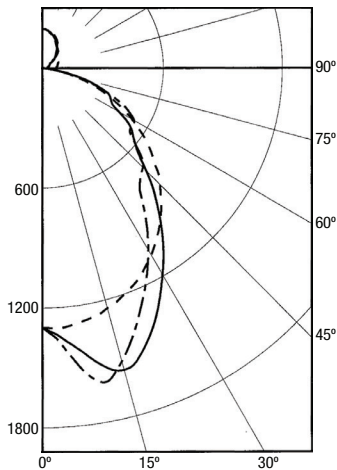
## Lamps

4- and 6-Lamp T8 or T5

## Finish

Pre-painted white polyster polymer with minimum 82% reflectivity

## PHOTOMETRY



### Lumen Summary

Zone	Lumens	% Lamp	% Fixture
0-30	5719	28.6	28.3
0-40	8961	44.8	44.4
0-60	14536	72.7	72.0
0-90	17800	89.0	88.2
90-120	605	3.0	3.0
90-130	882	4.4	4.4
90-150	1673	8.4	8.3
90-180	2379	11.9	11.0
0-180	20179	100.9	100.0

### Luminance Data in Candela/SQ M at 0° plane

Angle	Average
45	14272.
55	13327.
65	11585.
75	8693.
85	3200.

**Report Number:** ITL55144-2

**Issue Date:** 08/25/01

**Prepared for:** A.L.P. Lighting

**Catalog Number:** ACR RMT5 446

**Luminaire:** Fabricated metal strip ballast housing with molded white plastic end caps, fabricated white painted metal socket end pieces, formed multi-faceted metal reflector with premium specular finish, two clear linear prismatic acrylic side lenses, open bottom

**Lamp:** Four 54 Watt FP54/ 835HO Linear Fluorescents

**Mounting:** Suspended

**Ballast:** Universal B454IUNV-E

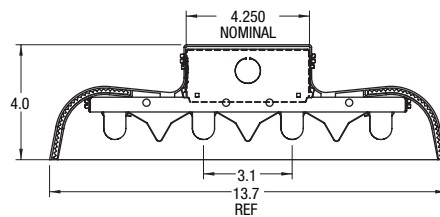
**Watts:** 238 @ 120.0 Volts

### Notice

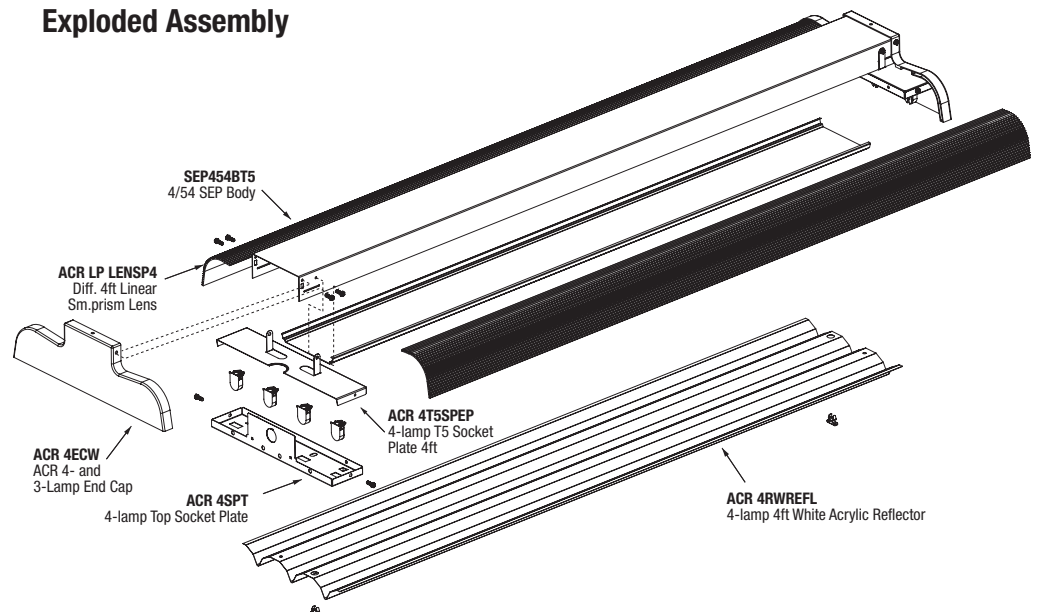
A.L.P. assumes no responsibility for suitability of these materials in any luminaire or application. Please test for fit and function prior to ordering project quantities.

While A.L.P. utilizes IESNA testing procedures and believe our testing results to be accurate, A.L.P. provides photometry for reference only. Actual results will vary based on the actual lamp/ballast combination used, operating temperatures, and other electrical and environmental variables. We urge the customer to perform their own qualification of the fixture before making performance based claims. In no event will we be liable for any loss or damage including without limitation, indirect or consequential loss or damage in connection with the use of this information.

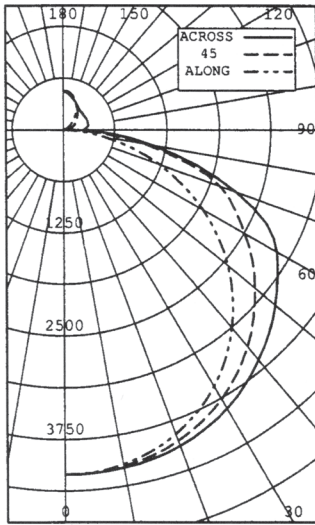
### Profile Drawing



### Exploded Assembly



## PHOTOMETRY



**Report Number:** 19777  
**Issue Date:** 02/08/05  
**Prepared for:** A.L.P. Lighting  
**Catalog Number:** ACR RWT8 648  
**Luminaire:** Suspended with white reflector, clear prismatic plastic side panels and no lens  
**Lamp:** Six Phillips 32 watt T8 F32T8/TL841  
**Ballast:** 3 Robertson REI232T8120  
**Mounting:** Suspended

### Notice

A.L.P. Lighting Components, Inc., assumes no responsibility for suitability of these materials in any luminaire or application. Please test for fit and function prior to ordering project quantities.

While A.L.P. utilizes IESNA testing procedures and believe our testing results to be accurate, A.L.P. provides photometry for reference only. Actual results will vary based on the actual lamp/ballast combination used, operating temperatures, and other electrical and environmental variables. We urge the customer to perform their own qualification of the fixture before making performance based claims. In no event will we be liable for any loss or damage including without limitation, indirect or consequential loss or damage in connection with the use of this information.

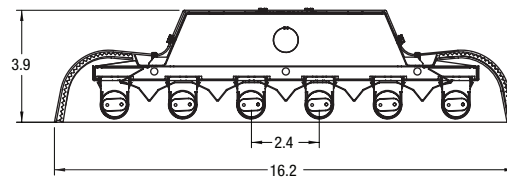
## Lumen Summary

Zone	Lumens	% Lamp	% Fixture
0-30	3341	18.88	20.93
0-40	5585	31.56	34.98
0-60	10491	59.56	65.71
0-90	14640	82.71	91.69
40-90	9054	51.16	56.71
60-90	4148	23.44	25.98
90-180	1326	7.50	8.31
0-180	15966	90.21	100.00

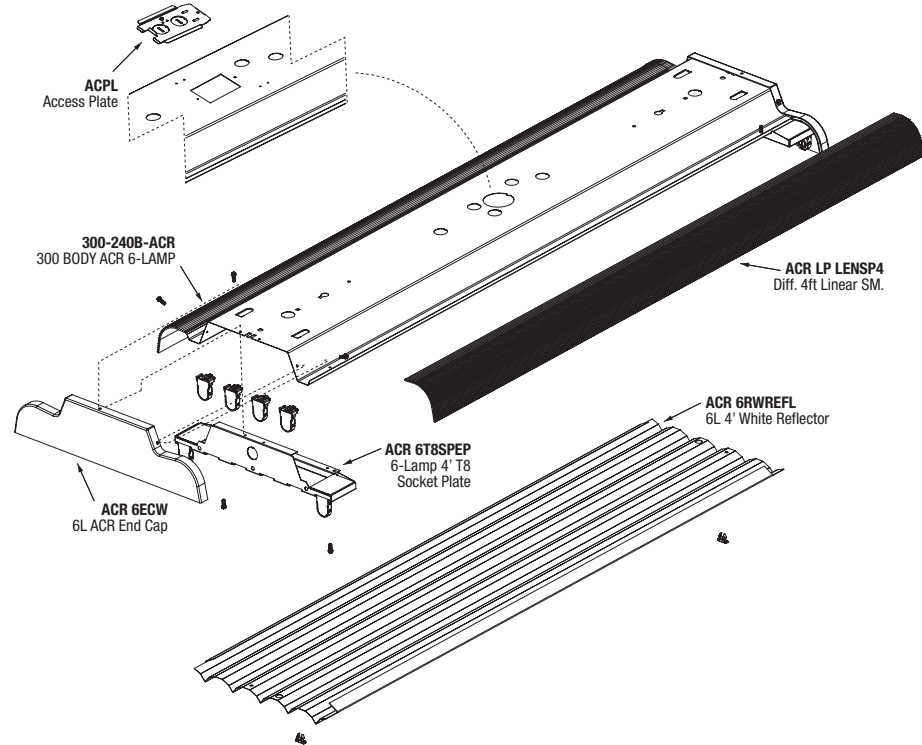
## Luminance Data in Candela/SQ M at 0° plane

Angle	Average
45	8168.
55	7945.
65	7594.
75	6760.
85	3789.

## Profile Drawing



## Exploded Assembly



ACR RMT8 / RMT5		
Kit Number	Component	Qty
<b>ACR 4RMT5</b> ACR 4-Lamp T5 Miro Reflector Kit		
ACR SEPC04 MOD	Ballast Cover 4ft 43" Length	1
SEP454BT5	4/54 Sep Body	1
ACR 4T5SPEP	4-Lamp T5 Socket Plate 4ft	2
ACR 4SPT	4-Lamp Top Socket Plate	2
ACR 4RMREFL	4-Lamp 4ft Miro ACR Reflector	1
ACR LP LENS P4	Diff. 4ft Linear Sm.Prism Lens	2
ACR 4ECW	FCR 4 & 3 Lamp End Cap	2
ACPL2	SEP Access Plate	1
<b>ACR 4RMT8</b> ACR 4-Lamp T8 Miro Reflector Kit		
ACR SEPC04 MOD	Ballast Cover 4ft 43" Length	1
SEP240B	2/40 Sep Body	1
ACR 4T8SPEP	4-Lamp T8 Socket Plate 4ft	2
ACR 4SPT	4-Lamp Top Socket Plate	2
ACR 4RMREFL	4-Lamp 4ft Miro ACR Reflector	1
ACR LP LENS P4	Diff. 4ft Linear Sm.Prism Lens	2
ACR 4ECW	FCR 4 & 3 Lamp End Cap	2
ACPL2	SEP Access Plate	1
<b>ACR 6RMT5</b> ACR 6-Lamp T5 Miro Reflector Kit		
300654BT5	300-240b 6/54 T5	1
ACR 6T5SPEP	6-Lamp T5 Socket Plate 4 Ft	2
ACR 6RMREFL	6-Lamp 4ft Miro ACR Reflector	1
ACR LP LENS P4	Diff. 4ft Linear Sm.Prism Lens	2
ACR 6ECW	6-Lamp End Cap	2
<b>ACR 6RMT8</b> ACR 6-Lamp Miro T8 Kit		
300-240B-ACR	300 Body Acr 6-Lamp	1
ACR 6T8SPEP	6-Lamp T8 Socket Plate 4ft	2
ACR 6RMREFL	6-Lamp 4ft Miro ACR Reflector	1
ACR LP LENS P4	Diff. 4ft Linear Sm.Prism Lens	2
ACR 6ECW	6-Lamp End Cap	2

ACR RWT8 / RWT5		
Kit Number	Component	Qty
<b>ACR 4RWT5</b> ACR 4-Lamp T5 White Reflector Kit		
ACR SEPC04 MOD	Ballast Cover 4ft 43" Length	1
SEP454BT5	4/54 Sep Body	1
ACR 4T5SPEP	4-Lamp T5 Socket Plate 4ft	2
ACR 4SPT	4-Lamp Top Socket Plate	2
ACR 4RWREFL	4-Lamp 4ft White ACR Reflector	1
ACR LP LENS P4	Diff. 4ft Linear Sm.Prism Lens	2
ACR 4ECW	FCR 4 & 3 Lamp End Cap	2
ACPL2	SEP Access Plate	1
<b>ACR 4RWT8</b> ACR 4-Lamp T8 White Reflector Kit		
ACR SEPC04 MOD	Ballast Cover 4ft 43" Length	1
SEP240B	2/40 Sep Body	1
ACR 4T8SPEP	4-Lamp T8 Socket Plate 4ft	2
ACR 4SPT	4-Lamp Top Socket Plate	2
ACR 4RWREFL	4-Lamp 4ft White ACR Reflector	1
ACR LP LENS P4	Diff. 4ft Linear Sm.Prism Lens	2
ACR 4ECW	FCR 4 & 3 Lamp End Cap	2
ACPL2	SEP Access Plate	1
<b>ACR 6RWT5</b> ACR 6-Lamp T5 White Reflector Kit		
300654BT5	300-240b 6/54 T5	1
ACR 6T5SPEP	6-Lamp T5 Socket Plate 4 Ft	2
ACR 6RWREFL	6-Lamp 4ft White ACR Reflector	1
ACR LP LENS P4	Diff. 4ft Linear Sm.Prism Lens	2
ACR 6ECW	6-Lamp End Cap	2
<b>ACR 6RWT8</b> ACR 6-Lamp T8 White Reflector Kit		
300-240B-ACR	300 Body Acr 6-Lamp	1
ACR 6T8SPEP	6-Lamp T8 Socket Plate 4ft	2
ACR 6RWREFL	6-Lamp 4ft White ACR Reflector	1
ACR LP LENS P4	Diff. 4ft Linear Sm.Prism Lens	2
ACR 6ECW	6-Lamp End Cap	2

Optional Suspension Kits		
Part Number	Description	Qty
4011003	Universal Yoke and Toggle Kit	2
5011003	V-hook kit	2