

Specifications

Reflector:
Anodized Aluminum

Efficiency:
RA: 86% standard specular
RM: 94% specular
RW: 90% diffuse white

Options:
Socket Plate
End Caps

Description

7000V Series Reflector Kit is an economical one-piece reflector used to delamp fluorescent recessed / grid troffers. This reduces energy, improves efficiency and keeps light loss to a minimum.

Features and Benefits

Anodized Aluminum (RA) reflectors are manufactured with an 86% minimum reflectance. The 7000V Reflector is designed and manufactured in compliance with U.L. Standards for retrofit reflectors.

Applications

Suitable for relamping in commercial, industrial and institutional applications.

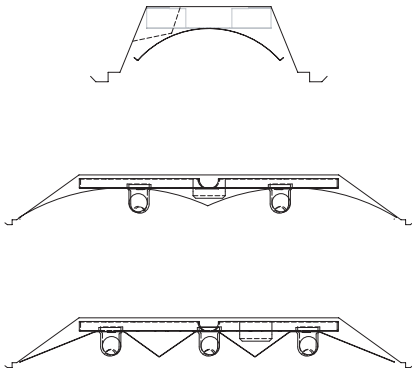
Ordering Information

Please call 800-228-5275 or 231-547-6584 for price and delivery. Typical lead time is four to six weeks.

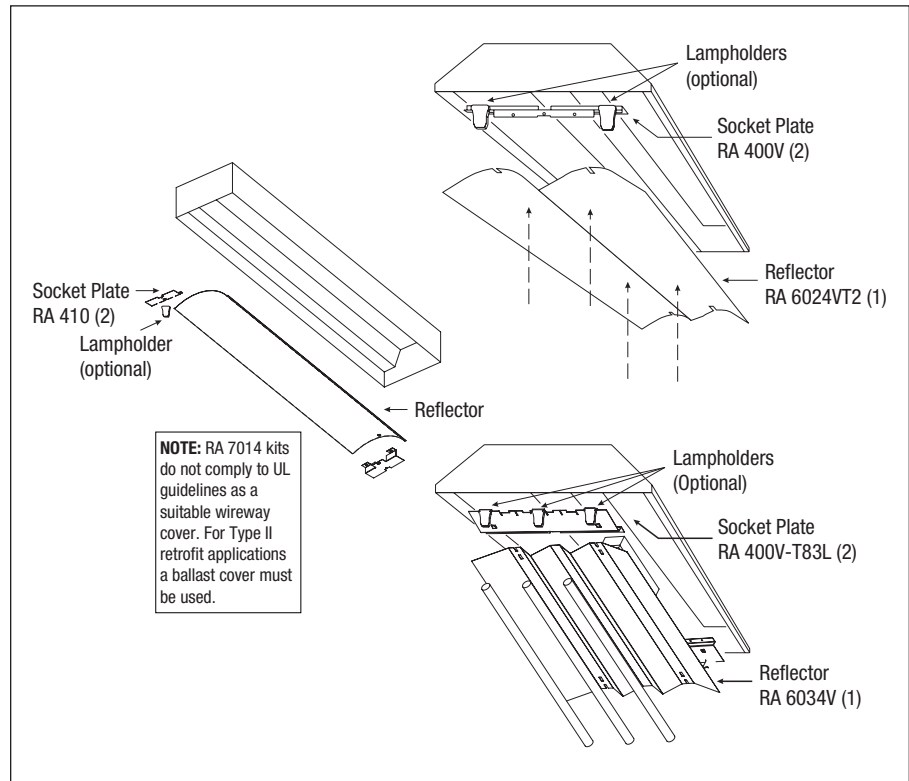
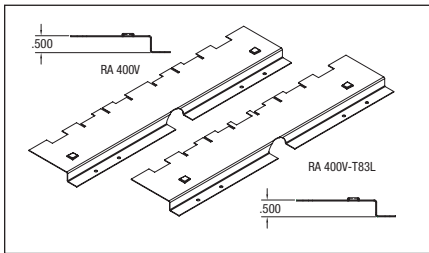
Notice

Reflector kits do not come with a ballast and are not pre-wired. A.L.P. assumes no responsibility for suitability of these materials in any luminaire or application. Please test for fit and function prior to ordering project quantities. Dimensions subject to change without notice.

Profile End Drawing



Accessories



Catalog Number	Description
RA 7014 Kit	(1) RA 6014 1-lamp Reflector for 1' x 4' Troffer, (2) RA 410 Socket Plates, (4) TEK Screws
RA 7022V Kit	(1) RA 6022VT2 2-lamp Reflector for 2' x 2' Troffer, (2) RA 400V Socket Plates, (4) TEK Screws
RA 7024V Kit	(1) RA 6024VT2 2-lamp Reflector for 2' x 4' Troffer, (2) RA 400V Socket Plates, (4) TEK Screws
RA 7032V Kit	(1) RA 6032V 3-lamp Reflector for 2' x 2' Troffer, (2) RA 400V-T83L, (4) TEK Screws
RA 7034V Kit	(1) RA 6034V 3-lamp Reflector for 2' x 4' Troffer, (2) RA 400V-T83L, (4) TEK Screws

NOTE: For Highly Reflective Specular Aluminum, delete prefix "RA" and replace with "RM" or for White Aluminum delete "RA" and replace with "RW". Also available in 20 pack kits.

This drawing is for reference only. Actual part dimensions will vary. Customer is urged to review actual samples to confirm fit and function. All specifications and dimensions are subject to change without notice.