

### Specifications

**Reflector:**

Anodized Aluminum

**Efficiency:**

RA: 86% standard specular

RM: 94% specular

RW: 90% diffuse white

**Options:**

Socket Plate

End Caps

### Description

The 6000 Series Reflectors are an economical one piece reflector used to delamp fluorescent ceiling/grid troffers from 4-lamps to 2-lamps using optional socket plates to recenter lamps after delamping. This reduces energy, improves efficiency and keeps light loss to a minimum.

### Features and Benefits

Anodized Aluminum (RA) reflectors are manufactured with an 86% minimum reflectance. The 6000 Reflector is designed and manufactured in compliance with U.L. Standards for retrofit reflectors.

### Applications

Suitable for relamping in commercial, industrial and institutional applications.

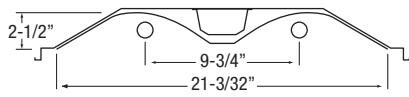
### Ordering Information

Please call 877-257-5841 for price and delivery.

### Notice

Reflector kits do not come with a ballast and are not pre-wired. A.L.P. Lighting Components, Inc., assumes no responsibility for suitability of these materials in any luminaire or application. Please test for fit and function prior to ordering project quantities. Dimensions subject to change without notice.

### Profile End Drawing

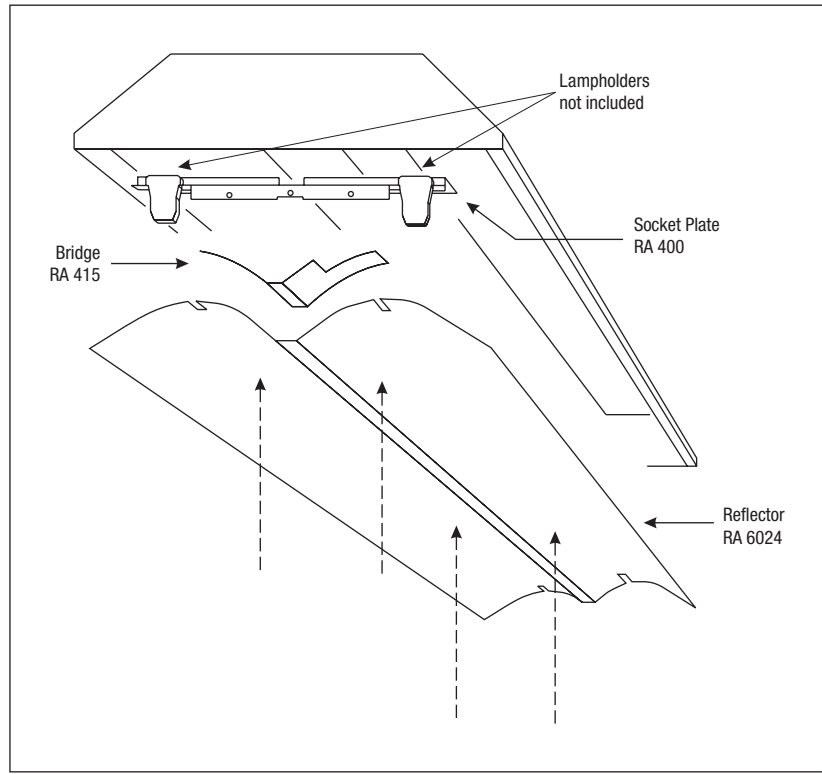
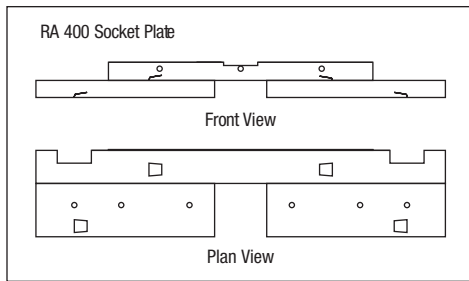


6000 Series Reflector



6000 Series Reflector Ray Tracing

### Accessories



*This drawing is for reference only. Actual part dimensions will vary. Customer is urged to review actual samples to confirm fit and function. All specifications and dimensions are subject to change without notice.*

Catalog Number	Description
RA 6022	(1) RA 6022 Reflector for 2' X 2' Troffer; (2) tek screws
RA 6024	(1) RA 6024 Reflector for 2' x 4' Troffer; (4) tek screws

Accessories	
RA 400	2 Lamp Socket Plate & (2) TEK Screws
RA 415	(2) End Caps

**Note:** For Highly Reflective Specular Aluminum, Delete Prefix "RA" and Replace with "RM" or for White Aluminum Delete "RA" and Replace with "RW".