

### Description

2000 Series Reflector kits are for maximizing light output from typical 2-lamp fluorescent strip lighting fixtures. They can be used to convert from 8' to 4' lamps by using our optional socket plates.

### Features and Benefits

Anodized aluminum (RA) reflectors are manufactured with a minimum of 86% Total Reflectivity (T.R.). Optional finishes are also available. They are designed and manufactured in compliance with U.L. Standards for retrofit reflectors.

### Applications

Suitable for relamping in commercial, industrial and institutional applications.

### Ordering Information

Please call 877-257-5841 for price and delivery.

### Notice

Reflector kits do not come with a ballast and are not pre-wired. A.L.P. assumes no responsibility for suitability of these materials in any luminaire or application. Please test for fit and function prior to ordering project quantities. Dimensions subject to change without notice.

### Specifications

#### Reflector:

Anodized Aluminum

#### Efficiency:

RA: 86% standard specular

RM: 94% specular

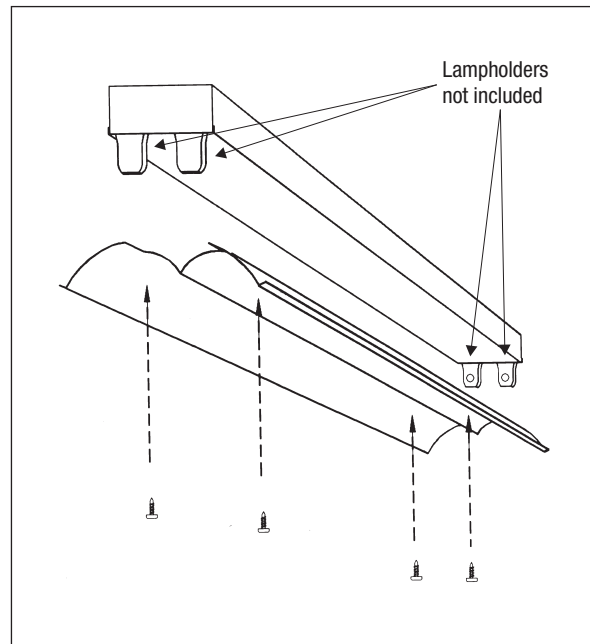
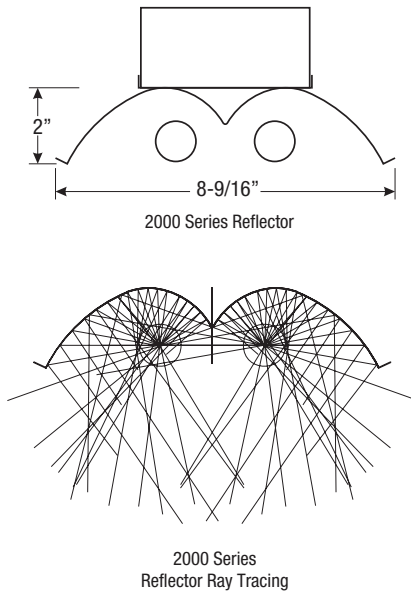
RW: 90% diffuse white

#### Options:

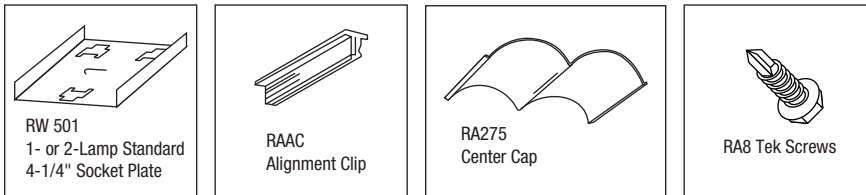
Socket Plate

End Caps

## Profile End Drawing



## Accessories



Catalog Number	Description
RA 2002	(1) RA 2002 2' Reflector (Anodized Aluminum), (4) RA8 TEK Screws
RA 2003	(1) RA 2003 3' Reflector (Anodized Aluminum), (4) RA8 TEK Screws
RA 2004	(1) RA 2004 4' Reflector (Anodized Aluminum), (4) RA8 TEK Screws
RA 2006	(2) RA 2003 3' Reflector (Anodized Aluminum), (8) RA8 TEK Screws, (2) RAAC Alignment Clips, (1) RA 275 Center Cap
RA 2008	(2) RA 2004 4' Reflector (Anodized Aluminum), (8) RA8 TEK Screws, (2) RAAC Alignment Clips, (1) RA 275 Center Cap

### Accessories

RW 501*	1 or 2 Lamp Standard 4-1/4" Wide Socket Plate & (2) TEK Screws (Order 2 per fixture)
RW 522*	
RAAC	Clear Plastic Alignment Clip
RA 275	Center Cap

**Note:** For Highly Reflective Specular Aluminum, Delete Prefix "RA" and Replace with "RM" or for White Aluminum Delete "RA" and Replace with "RW".

**\*Note:** All RW 501, RW 511 and RW 522 socket plate use slide-on lampholders. Do not use snap-in lampholders.

### Notice

Reflector kits do not come with a ballast and are not pre-wired. A.L.P. Lighting Components, Inc., assumes no responsibility for suitability of these materials in any luminaire or application. Please test for fit and function prior to ordering project quantities. Dimensions subject to change without notice.