

### Description

1000 Series Reflectors are for single lamp strip fluorescent lighting fixtures. They are specifically designed to enhance 1-lamp strip lights. They are also ideal, when converting 8' to 4' lamps or when delamping from 2- to 1-lamp by using our optional socket plates.

### Features and Benefits

Anodized aluminum (RA) reflectors are manufactured with a minimum of 86% Total Reflectivity (T.R.). Optional finishes are also available. They are designed and manufactured in compliance with U.L. Standards for retrofit reflectors.

### Applications

Suitable for relamping in commercial, industrial and institutional applications.

### Ordering Information

Please call 877-257-5841 for price and delivery.

### Notice

Reflector kits do not come with a ballast and are not pre-wired. A.L.P. assumes no responsibility for suitability of these materials in any luminaire or application. Please test for fit and function prior to ordering project quantities. Dimensions subject to change without notice.

### Specifications

#### Reflector:

Anodized Aluminum

#### Efficiency:

RA: 86% standard specular

RM: 94% specular

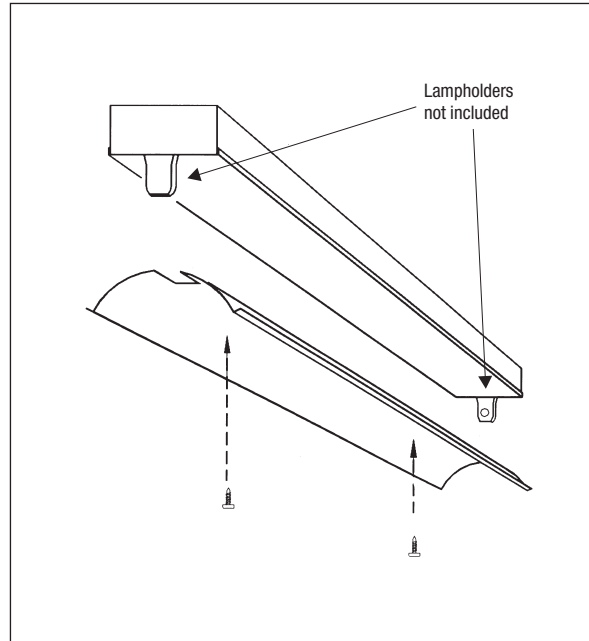
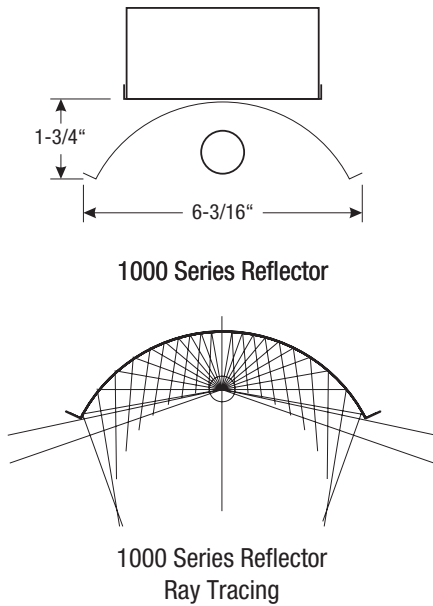
RW: 90% diffuse white

#### Options:

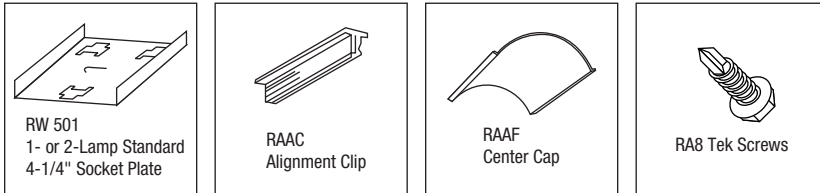
Socket Plate

End Caps

## Profile End Drawing



## Accessories



Catalog Number	Description
RA 1002	(1) RA 1002 2' Reflector (Anodized Aluminum), (2) TEK Screws
RA 1003	(1) RA 1003 3' Reflector (Anodized Aluminum), (2) TEK Screws
RA 1004	(1) RA 1004 4' Reflector (Anodized Aluminum), (2) TEK Screws
RA 1006	(2) RA 1003 3' Reflector (Anodized Aluminum), (4) TEK Screws, (2) RAAC Alignment Clips, (1) RAAF Center Cap
RA 1008	(2) RA 1004 4' Reflector (Anodized Aluminum), (4) TEK Screws, (2) RAAC Alignment Clips, (1) RAAF Center Cap

## Accessories

RW 501	1 or 2 Lamp Standard 4-1/4" Wide Socket Plate & (2) TEK Screws (Order 2 per fixture)
RW 511	1 Lamp Center Socket Plate & (2) TEK Screws, 4-1/4" Wide (Order 1 per 6' or 8' fixture)
RAAC	Clear Plastic Alignment Clip
RAAF	Center Cap

**Note:** For Highly Reflective Specular Aluminum, Delete Prefix "RA" and Replace with "RM" or for White Aluminum Delete "RA" and Replace with "RW".

This drawing is for reference only. Actual part dimensions will vary. Customer is urged to review actual samples to confirm fit and function. All specifications and dimensions are subject to change without notice.