

KDS T8 1-Light Low-Profile Knockdown Strip

General Description

A special applications fluorescent strip fixture for installations where space is limited, typically cove lighting, display cases and signs. The KDS T8 Low-Profile Strip features a significantly lower and narrower profile than conventional 1-light T8 strips.

Features and Benefits

- Uses the latest technology T8 ballasts and lamps
- Range of lamp lengths provides application flexibility
- Designed for ceiling mount, wall mount or chain hanging
- Numerous knockouts for ease of installation and configuration
- All close tolerance snap-fit construction

Application

Suitable for commercial, light industrial and institutional applications such as offices, hospitals, schools and retail. Intended for surface or suspended mounting.

Ordering Information

Please call 877-257-5841 for price and delivery.

Housing

Heavy-gauge cold rolled steel

Channel/Wireway Cover

Secures with two #8 x 5/16" sheet metal screws (not included)

Ends and Socket Plates

Available with double D or 7/8" knockouts for continuous mounting

Finish

Pre-painted white polyester polymer with minimum 82% reflectivity

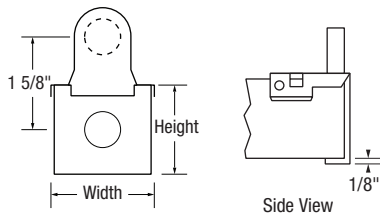
Mounting

Designed with 1/8" stand off for surface mounting as individual units, or in continuous rows

Ballasts

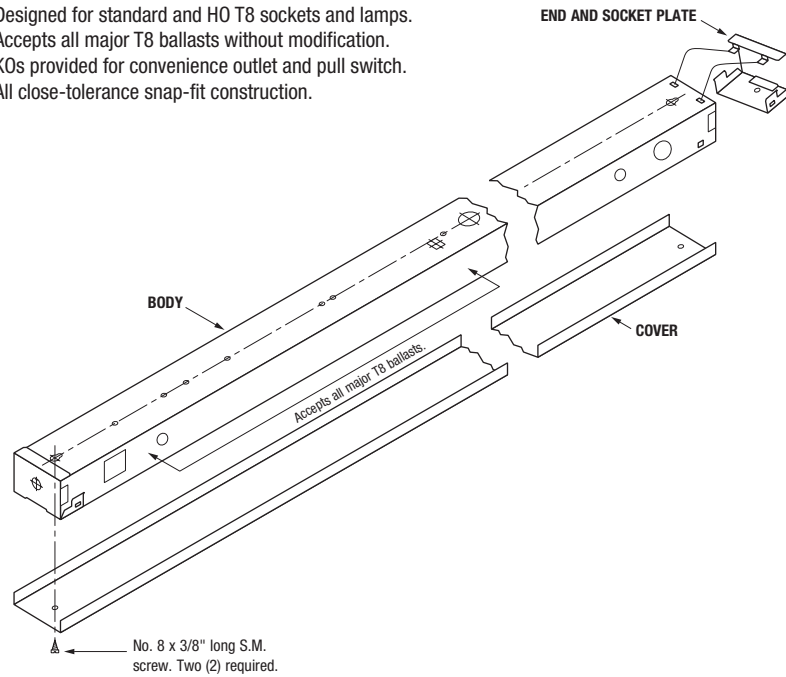
Housings have hole patterns to accept ballasts of the following lengths: 5-7/16", 5-15/16", 6-7/16", 8-7/16", 9-13/16" and 14"

Product Dimensions



	Width	Hgt.
Body Only:	1-5/8"	1-3/8"
W/End & Cover:	1-13/16"	1-9/16"

Designed for standard and HO T8 sockets and lamps.
Accepts all major T8 ballasts without modification.
KOs provided for convenience outlet and pull switch.
All close-tolerance snap-fit construction.



Component	Description	Qty
KDST824-D		
KDST8E-D	T8 End w/ Double Deep KO	2
KDST824BPP	24" T8 Body	1
KDST824CPP	24" T8 Cover	1
KDST824-4		
KDST8E-4	T8 End w/ 1/2"D KO	2
KDST824BPP	24" T8 Body	1
KDST824CPP	24" T8 Cover	1
KDST824-7		
KDST8E-7	T8 End w/ 7/8"D KO	2
KDST824BPP	24" T8 Body	1
KDST824CPP	24" T8 Cover	1
KDST836-D		
KDST8E-D	T8 End w/ Double Deep KO	2
KDST836BPP	36" T8 Body	1
KDST836CPP	36" T8 Cover	1
KDST836-4		
KDST8E-4	T8 End w/ 1/2"D KO	2
KDST836BPP	36" T8 Body	1
KDST836CPP	36" T8 Cover	1
KDST836-7		
KDST8E-7	T8 End w/ 7/8"D KO	2
KDST836BPP	36" T8 Body	1
KDST836CPP	36" T8 Cover	1

Component	Description	Qty
KDST848-D		
KDST8E-D	T8 End w/ Double Deep KO	2
KDST848BPP	48" T8 Body	1
KDST848CPP	48" T8 Cover	1
KDST848-4		
KDST8E-4	T8 End w/ 1/2"D KO	2
KDST848BPP	48" T8 Body	1
KDST848CPP	48" T8 Cover	1
KDST848-7		
KDST8E-7	T8 End w/ 7/8"D KO	2
KDST848BPP	48" T8 Body	1
KDST848CPP	48" T8 Cover	1
KDST860-D		
KDST8E-D	T8 End w/ Double Deep KO	2
KDST860BPP	60" T8 Body	1
KDST860CPP	60" T8 Cover	1
KDST860-4		
KDST8E-4	T8 End w/ 1/2"D KO	2
KDST860BPP	60" T8 Body	1
KDST860CPP	60" T8 Cover	1
KDST860-7		
KDST8E-7	T8 End w/ 7/8"D KO	2
KDST860BPP	60" T8 Body	1
KDST860CPP	60" T8 Cover	1

Notice

Dimensions subject to change without notice.

This product is an OEM component kit requiring final assembly by a qualified OEM fixture manufacturer.

THIS PRODUCT IS NOT A COMPLETE FIXTURE ASSEMBLY