



General Description

A low-profile, narrow LED wraparound high bay. All parts snap together for easy installation and maintenance. Housing accepts lift-and-shift lenses and frames. New low profile driver cover minimizes center shadows.

Advanced microprism clear acrylic lens design provides excellent LED light output. Linear sides provide excellent light distribution and put more light in task areas. Manufactured from durable DR/ Acrylic polymer blend.

Features and Benefits

- Side flanges reinforce for maximum rigidity
- Accepts lift-and-shift prismatic lenses
- Smooth hemmed sides for safe handling
- LM79

Application

For most industrial or retail applications where low or high bay units are required, installations could include, warehouses, distribution centers, manufacturing facilities, retail stores etc.

Date	
Catalog Number	
Project	
Prepared by	
Type	
Comments	

LED Configurations

Rows	Boards	Lumens
6 Rows	12	19,000

Housing

Die-formed heavy-gauge steel

Ends

Snap on tightly to the housing with hole end available for flush ceiling frame mounting

Driver Cover

Snaps into housing to cover driver and wires

Finish

Pre-painted white polyester polymer with minimum 82% reflectivity

Mounting

Unit maybe surface, stem or aircraft cable mounted individually or in continuous rows

Prismatic Lens

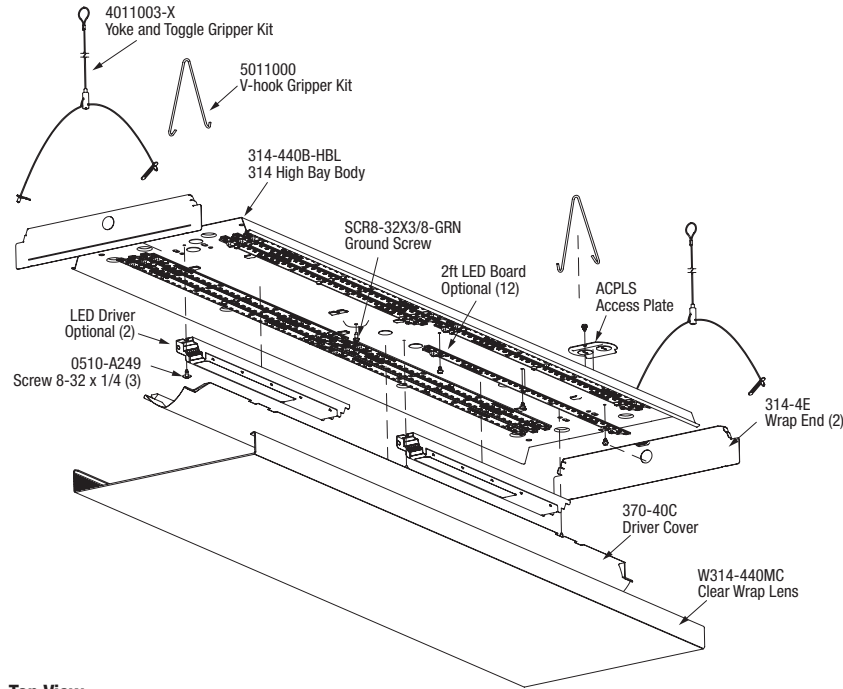
Prism clear acrylic lens or Lumieo® Acrylic Lens (optional)



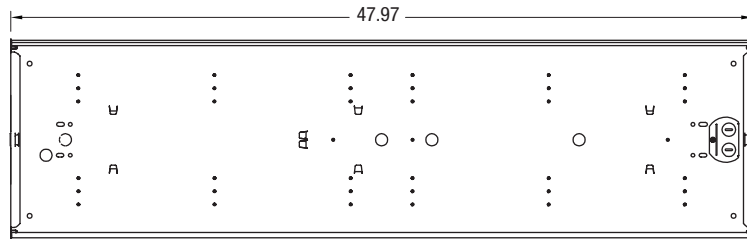
For the most current listing of DLC Qualified Products, please visit the DLC website www.designlights.org

A.L.P will support design and development with customer supplied light engines.

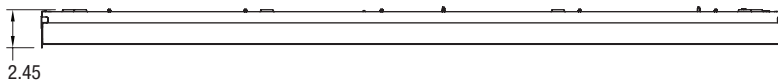
314 High Bay Exploded View



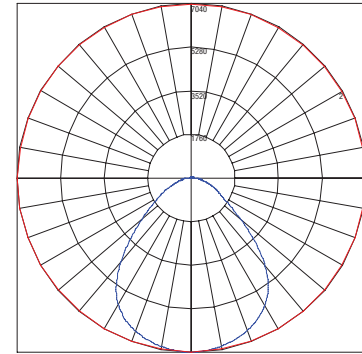
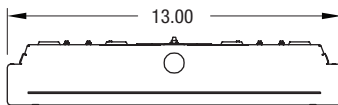
Top View



Side View



End Profile



Maximum Candels = 7039.7 Located At Horizontal Angle = 200, Vertical Angle = 2.5
1 - Vertical Plane Through Horizontal Angles (200° - 20°) (Through Max. Cd.)
2 - Horizontal Cone Through Vertical Angle (2.5°) (Through Max. Cd.)

Report Number:

s15100008a-01

Test Date: 10/14/15

Product Number:

HBL-15035LC-1

Lumens: 15156

Watts: 148.4

Lumens Per Watt: 102

CRI: 80

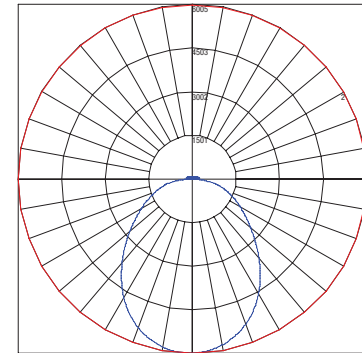
CCT: 3500K

Zonal Lumen Summary

Zone	Lumens	%Fixt
0-30	5440.92	35.90
0-40	8529.33	56.30
0-60	12530.38	82.70
0-90	14491.23	95.60
0-180	15155.52	100.0

Spacing Criteria

0-180	1.28
90-270	1.18
DIA	1.22



Maximum Candels = 6004.53 Located At Horizontal Angle = 230, Vertical Angle = 1
1 - Vertical Plane Through Horizontal Angles (230° - 50°) (Through Max. Cd.)
2 - Horizontal Cone Through Vertical Angle (1°) (Through Max. Cd.)

Report Number:

s15100008c-01

Test Date: 10/14/15

Product Number:

HBL-15035LL-1

Lumens: 15229

Watts: 148.3

Lumens Per Watt: 103

CRI: 80

CCT: 3500K

Zonal Lumen Summary

Zone	Lumens	%Fixt
0-30	4486.82	29.50
0-40	7093.54	46.60
0-60	11592.9	76.10
0-90	14589.25	95.80
0-180	15229.33	100.0

Spacing Criteria

0-180	1.18
90-270	1.12
DIA	1.26

Please contact A.L.P. for pricing and delivery.

All specifications subject to change without notice. A.L.P. Lighting Components, Inc. assumes no responsibility for these materials in any luminaire or application.

The product is an OEM component kit requiring final assembly by a qualified OEM fixture manufacturer.

4ft LED High Bay Metal Components

Part Number	QTY	Description
HBL-314440MC		
314-440B-HBL	1	4ft LED High Bay Body
370-40C	1	4ft driver cover
314-4E	2	End plate
ACPLS	1	Access plate

Note

Kits are available assembled and unassembled. Please contact customer service for more information.

314 Series LED Lenses

Part Number	Description
W314-440MC	4ft Acrylic Prismatic Wrap Lens
W314-440MC-LED	4ft Lumieo Prismatic Wrap Lens

Optional Suspension Kits

Part Number	Description	Qty
4011003	Universal Yoke and Toggle Kit	2
5011003	V-hook kit	2