

## Threaded Globes

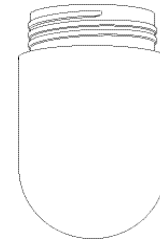
Models 507, 518, 520, 537 and 538



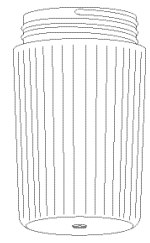
Model 507



Model 518



Model 507



Model 518

### General Description

These threaded globes provide maximum lamp protection. Several models are available with your choice of a Smooth or interior diffusing prisms.

### Features and Benefits

- All Colors molded with Polycarbonate for areas where breakage and high ambient heat are concerns.
- Color Options: Clear, Red, Amber, Green, Blue, Black, and Opal White for optimum lamp obscuration.
- Threaded for easy attachment and removal.

### Applications

Applications include; Hotels/Motels, food processing, industrial, marine, and residential areas. Compatible with incandescent, LED, compact fluorescent and medium based HID lamp sources.

Lamp wattages are shown on next page. Calculated for clear globes using metal housings only. Plastic fixtures as well as colored globes will require lower wattage lamps and should be tested for lamp suitability. The use of mercury vapor and metal halide lamps is not recommended in polycarbonate globes due to the high UV output and temperature

Before final installation, dissipate static on parts by spraying with de-staticized air or by wiping with a clean, damp rag. This will help minimize dust build up.

### Service Life

The service life of acrylic refractors is virtually unlimited when used within the recommended temperature limit. Polycarbonate refractors are subject to yellowing especially when used with high ultraviolet output light sources; this effect is enhanced at high temperatures.

### Ordering Information

Please call 877-257-5841 for pricing and delivery.

### Model 507

3.16" Diameter Thread  
6" High

### Model 510

4.71" Diameter Thread  
6" High

### Model 520

5.31" Diameter Thread  
7.51" High

### Models 508/518

3.16" Diameter Thread  
5.86" High

### Models 527/537

3.15" Diameter Thread  
8.25" High

### Models 528/538

4.17" Diameter Thread  
8.25" High

### Material:

Polycarbonate:

Clear

Colored;

Red

Blue

Green

Amber

Opal White

Black

### Vapor Tight Globes

**Model 507:** 3.16" diameter thread, 6.0" high, expanded smooth globe, can be used with up to 75 watt incandescent lamps in the base-up position. The Model 507 expanded globe provides the optimum fixture light output, by permitting the use of larger wattage lamps in fixtures with relatively small thread openings.

**Model 510:** 4.71" diameter thread, 6" high, smooth tapered globe, can be used with up to 100 watt A-19 or A-21 incandescent lamps in the base-up position.

**Model 520:** 5.31" diameter thread, 7.51" high, smooth tapered globe can be used with up to 200 watt A-23 incandescent lamps in the base-up position.

### Threaded Globes

#### Model 508 Smooth/518 Prismatic:

3.16" diameter thread, 5.86" high smooth globe, can be used with up to 75 watt incandescent lamps in the base-up position. The 518 prismatic globe utilizes vertical prisms on the inside surface for maximum lamp obscuration.

#### Model 527 Smooth/537 Prismatic:

3.15" diameter thread, 8.25" high globes, are available for use with up to 150 watt A-21 incandescent lamps in the base-up position. The 537 prismatic globe utilizes vertical prisms on the inside surface for maximum lamp obscuration.

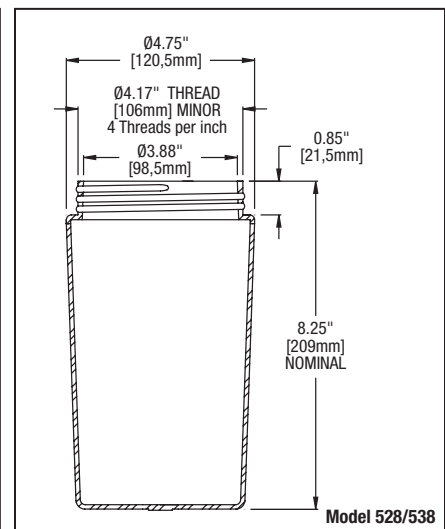
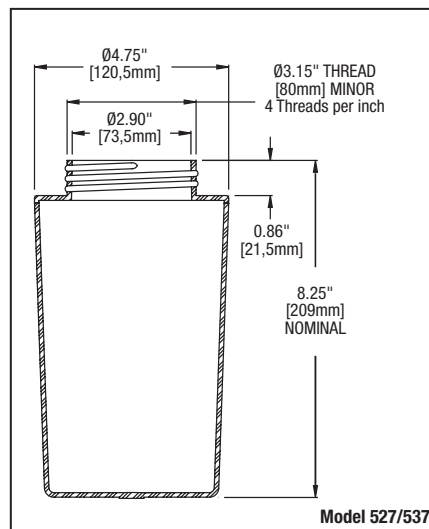
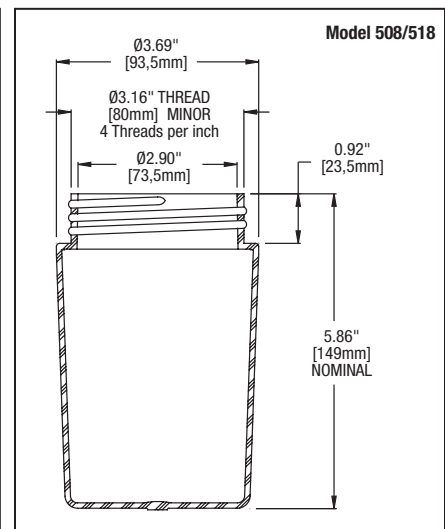
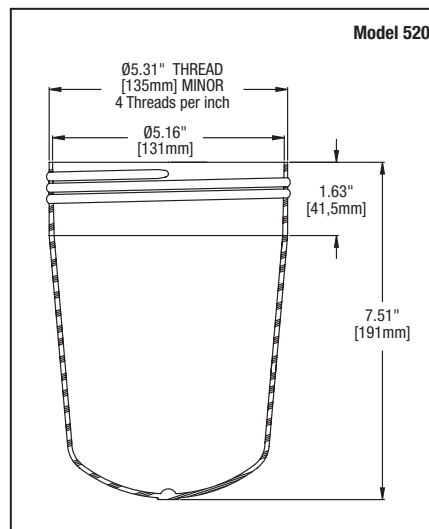
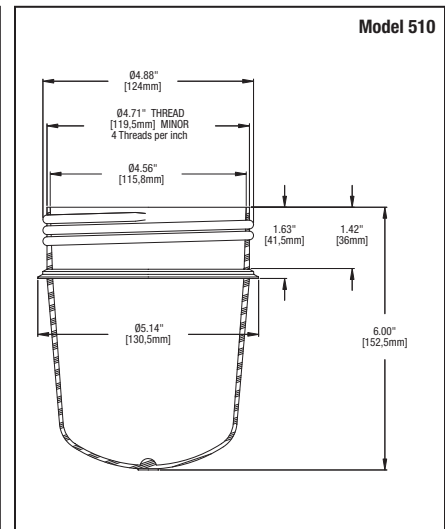
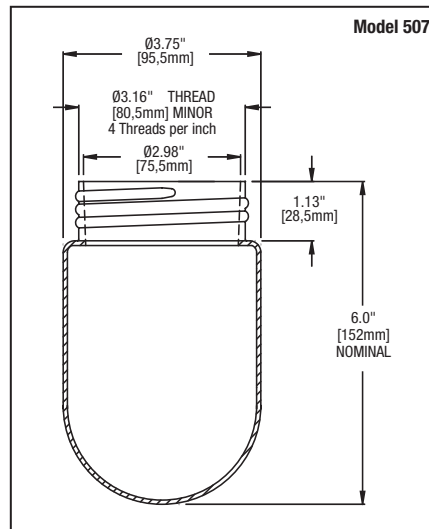
#### Model 528 Smooth/538 Prismatic:

4.17" diameter thread, 8.25" high globes, are available for use with up to 150 watt A-21 incandescent lamps in the base-up position. The 538 prismatic globe utilizes vertical prisms on the inside surface for maximum lamp obscuration.

### Materials

See the LexaLite® brand price list for current part numbers and material offerings. Up-to-date and detailed material specifications can be found in the Resources section on our website [www.alpadvantage.com](http://www.alpadvantage.com).

When using polycarbonate the surface temperature of the lantern body should not exceed 90°C.



*These drawings are for reference only. Actual part dimensions will vary. Customer is urged to review actual samples to confirm fit and function. All specifications and dimensions are subject to change without notice.*