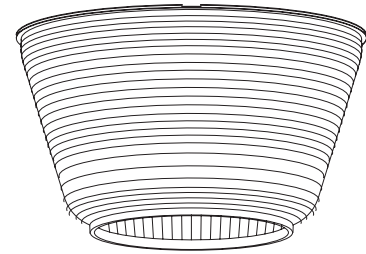




Model 270 Type V



### Dimensions

6.9" high  
12" diameter

### Materials

Acrylic:  
Clear  
Polycarbonate with UvaLex®:  
Clear

### Description

These 12" diameter tapered refractors feature precise optics that provide maximum luminaire efficiency and uniformity of illumination available in open or closed bottom. Open bottom refractors provide relamping and maintenance ease, while closed bottom refractors provide additional protection for the light source.

### Features and Benefits

- Rated up to 150watts
- Provides optical batwing distribution.
- Available in Type III which provides roadway and parking area lighting and Type V symmetrical lighting.
- Models 260 (closed bottom) and 265 (open bottom) are molded in Clear Polycarbonate with UvaLex® for areas where breakage and high ambient heat are concerns.
- Models 270 (closed bottom) and 275 (open bottom) are molded using UV stabilized Clear Acrylic for high efficiency in general lighting applications.

### Applications

These refractors are widely used in pendant-mount and post-top luminaires in roadway, area and industrial lighting applications. Compatible with vertical burning lamps with halogen and compact fluorescent, HID, and LED lamp sources.

Before final installation, dissipate static on parts by spraying with de-staticized air or by wiping with a clean, damp rag. This will help minimize dust build up.

### Service Life

The service life of acrylic refractors is virtually unlimited when used within the recommended temperature limit. Polycarbonate refractors are subject to yellowing especially when used with high ultraviolet output light sources; this effect is enhanced at high temperatures.

### Ordering Information

Please call 877-257-5841 for pricing and delivery.

## Type V Fixture Performance for Reference Only

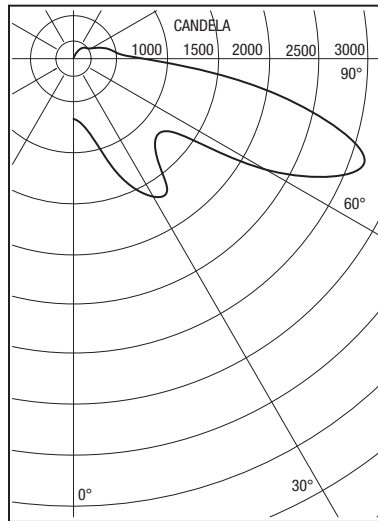
**Report Number:** ITL41576

**Total Luminaire Efficiency:** 81.11%

**IES Classification:** Type V, Semi-cutoff

**Arc Tube Voltage Rise:** 0.3

Tested in accordance with IES standards.  
Photometry based on a 150W HPS lamp



### Materials

See the LexaLite® brand price list for current part numbers and material offerings. Up-to-date and detailed material specifications can be found in the Resources section on our website [www.alpadvantage.com](http://www.alpadvantage.com).

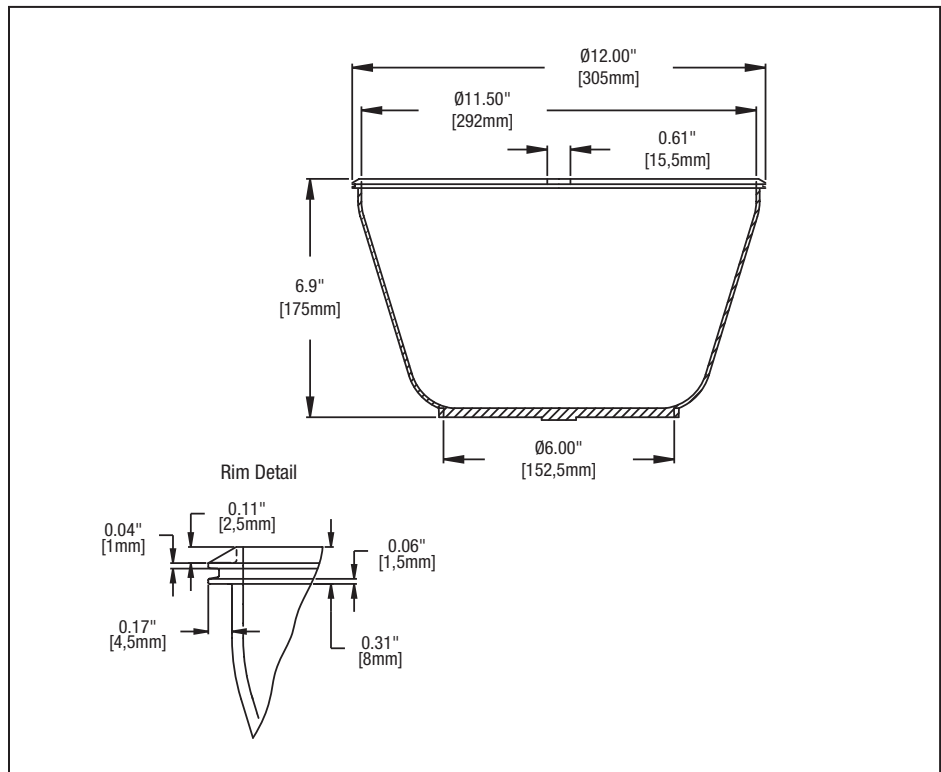
When using acrylic, the surface temperature of the lens should not exceed 80°C. When using polycarbonate, the surface temperature of the lens should not exceed 90°C.

UvaLex® is LexaLite's proprietary treatment to retard yellowing in ultraviolet environments and is standard on these polycarbonate refractors.

### Notice

A.L.P. assumes no responsibility for suitability of these materials in any luminaire or application. Please test for fit and function prior to ordering project quantities.

While A.L.P. utilizes IESNA testing procedures and believes our testing results to be accurate, A.L.P. provides photometry for reference only. Actual results will vary based on the actual light source(s) and power source(s) used, i.e. ballast, driver generator, etc. and the combinations in which they are used, as well as operating temperatures, and other electrical and environmental variables. We urge that customers perform their own fixture qualifications prior to making performance based claims. In no event will A.L.P. be liable for any loss, damage, including without limitation, indirect or consequential loss or damage in connection with the use of this information.



*This drawing is for reference only. Actual part dimensions will vary. Customer is urged to review actual samples to confirm fit and function. All specifications and dimensions are subject to change without notice.*