



Date	
Catalog Number	
Project	
Prepared by	
Type	
Comments	

General Description

The ELP2 offers the look and feel of a fluorescent luminaire — subtle soft direct elements, interest and depth across the ceiling plane — with a contemporary look that blends with today's commercial spaces.

The specially formulated prismatic lens provides a diffused luminance, with the effective combination of excellent light transmission and haze.

Applications

For recessed commercial applications such as offices, hospitals, schools etc. Suitable for use in standard 15/16" inverted T-Bar grid ceilings.

Features and Benefits

- Unique composition diffuser manages the balance of efficiency and aesthetics
- Linear arrayed LED modules provide diffused, but effective illumination

Housing

Low profile troffer body with white enamel finish

Direct Optical Component

High performance optical engine

Diffuser Surround

Unique composition provides prismatic look, good value

Luminaire Type

Recessed troffer fixture body assembly 1'x4' size

Finish

Pre-painted white polyester polymer with minimum 82% reflectivity

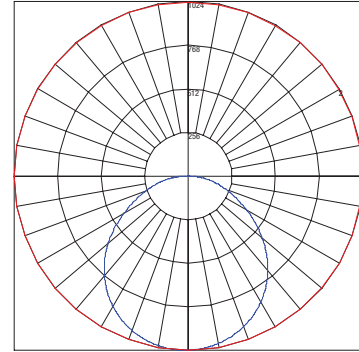
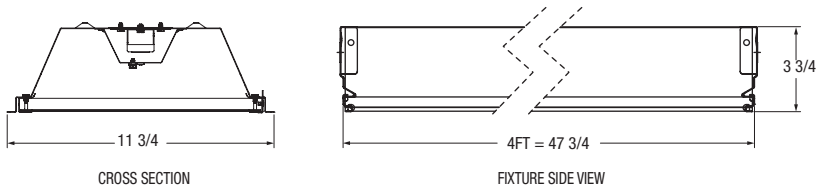
Please contact A.L.P. for pricing and delivery.

A.L.P. will support design and development with customer supplied light engines.

All specifications subject to change without notice. A.L.P. Lighting Components, Inc. assumes no responsibility for these materials in any luminaire or application.

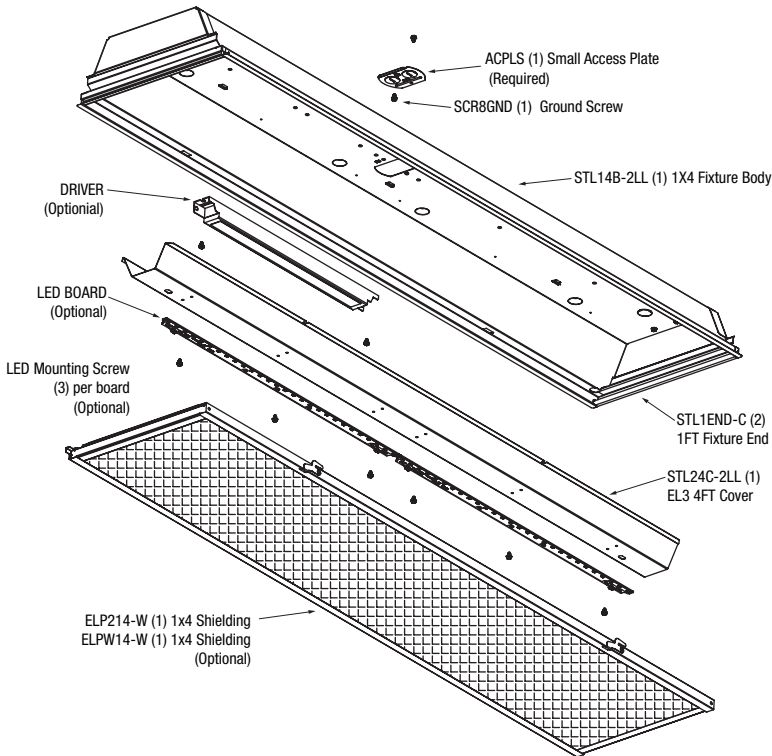
The product is an OEM component kit requiring final assembly by a qualified OEM fixture manufacturer.

ELP 1x4 Cross Section



Maximum Candela = 1023.54 Located At Horizontal Angle = 20°, Vertical Angle = 1.5°
 # 1 - Vertical Plane Through Horizontal Angles (220° - 40°) (Through Max. Cd.)
 # 2 - Horizontal Plane Through Vertical Angle (1.5°) (Through Max. Cd.)

ELP 1x4 Exploded Assembly



Report Number:

s15100009d-01

Test Date: 10/21/15

Product Number:

ELPW14-3750-1

Lumens: 2853.3

Watts: 28.4

Lumens Per Watt: 100

CRI: 80

CCT: 5000K

Zonal Lumen Summary

Zone	Lumens	%Fixt
0-30	795.80	27.40
0-40	1301.66	45.60
0-60	2259.79	79.20
0-90	2850.14	99.90
0-180	2853.3	100.0

Spacing Criteria

0-180	1.28
90-270	1.22
DIA	1.38

EL Metal Component Kits

Kit Number	Component	Qty
EL-1X4-2LL		
STL14B-2LL	1x4 Shallow LED Body	1
STL24C-2LL	1x4 Driver Cover	1
STL1END-C	1x4 End	2
ACPLS	Small Access Plate White	1

Door Frame Options

Kit Number	Description	Qty
ELP214-W	ELP2 1x4 Door Frame with P12 Prismatic Engineering White Lens (Assembled)	
STL4DL	4' Door Latch Side	1
STL4DH	4' Door Hinge Side	1
STL1DE	1' Door End	2
ELP2-14P12AW	1'x4' Prismatic Engineering White Lens Door Latch	1
STLATCH	Door Latch	2
ELPW14-W	ELPW 1x4 Door Frame with P12 Prismatic Lumieo Lens (Assembled)	
STL4DL	4' Door Latch Side	1
STL4DH	4' Door Hinge Side	1
STL1DE	1' Door End	2
ELPW-14P12AW	1'x4' Prismatic Lumieo White Lens Door Latch	1
STLATCH	Door Latch	2

Optional Hardware

Part Number	Description
SCR8001	#8-18X.25XTYPE B, Hex/Slot/Phl
RIV41431W	D41-43BS MULTI Grip Rivet White
SCR8GND	#8-32X1/4 Slot/Hex Green Zinc

