



Models 825M Lenses

### General Description

The Model 825M is a 25" inverted conical lens designed to attach to the 825 prismatic Reflexor®.

### Features and Benefits

- The addition of an inverted conical drop lens to a Reflexor® aids in hiding the lamp/light source
- When used with a LED lens, will help with widening the symmetrical light distribution pattern for greater spacing criterion and vertical illuminance
- Using an HID as a lamp/light source allows use of a general lamp up to 400 watts

### Applications

The Model 825M is designed to be used in industrial, warehouse, athletic facility, agriculture processing, indoor horticulture, natatorium and retail spaces requiring better, wider illuminance and greater spacing of fixtures. The AC-FC lens is recommended for LED applications and the AC-LG lens for HID applications. In high Ambient Heat applications, use Polycarbonate as it has rating of 10-15 degrees more than that of Acrylic products.

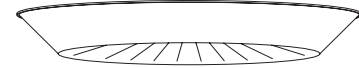
Before final installation of Reflexors, dissipate static on parts by spraying with de-staticized air or by wiping with a clean, damp rag. This will help minimize dust build up on the Reflexor.

### Service Life

The service life of acrylic refractors is virtually unlimited when used within the recommended temperature limit. Polycarbonate refractors are subject to yellowing especially when used with high ultraviolet output light sources; this effect is enhanced at high temperatures.

### Ordering Information

Please call 877-257-5841 for pricing and delivery. Typical lead time is two to four weeks.



### Dimensions

3" high  
25" diameter

### Materials

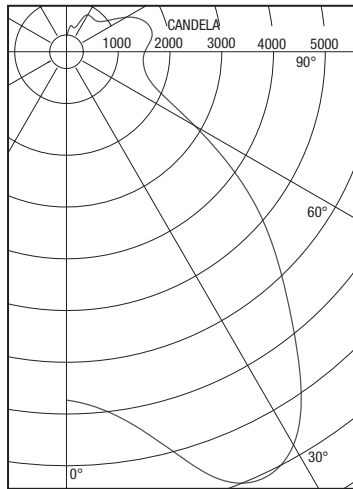
Acrylic:  
Clear  
Moon Glow™  
Lumieo®  
Polycarbonate:  
Clear

### Accessories/Options

Stainless Steel clamp band  
Smooth Collar  
Wire Guard

### Fixture Performance for Reference Only

825 Reflexor and 825M Lens  
**Report Number:** ITL41464  
**Total Luminaire Efficiency:** 91.2%  
**CIE Type:** Semi-Direct  
**Luminaire Spacing Criteria:** 1.5



### Lumen Summary

Zone	Lumens	%Lamp	% Fixture
0-30	7081	19.7	21.6
0-40	11884	33.0	36.2
0-60	19719	54.8	60.1
0-90	25710	69.9	76.7
90-120	4999	13.9	15.2
90-130	5985	16.6	18.2
90-150	7134	19.8	21.7
90-180	7654	21.3	23.3
0-180	32823	91.2	100.00

### Materials

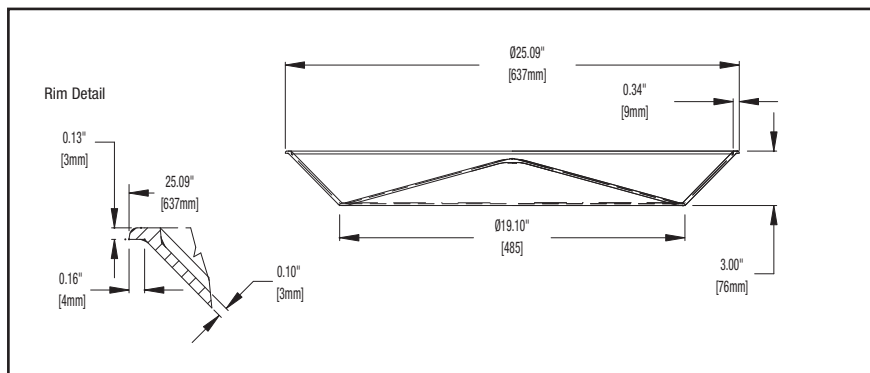
See the Lexalite® brand price list for current part numbers and material offerings. Up-to-date and detailed material specifications can be found in the Resources section on our website [www.alpadvantage.com](http://www.alpadvantage.com).

When using acrylic, the surface temperature of the lens should not exceed 80°C. When using polycarbonate, the surface temperature of the lens should not exceed 90°C.

### Notice

A.L.P. assumes no responsibility for suitability of these materials in any luminaire or application. Please test for fit and function prior to ordering project quantities.

While A.L.P. utilizes IESNA testing procedures and believes our testing results to be accurate, A.L.P. provides photometry for reference only. Actual results will vary based on the actual light source(s) and power source(s) used, i.e. ballast, driver generator, etc. and the combinations in which they are used, as well as operating temperatures, and other electrical and environmental variables. We urge that customers perform their own fixture qualifications prior to making performance based claims. In no event will A.L.P. be liable for any loss, damage, including without limitation, indirect or consequential loss or damage in connection with the use of this information.



*This drawing is for reference only. Actual part dimensions will vary. Customer is urged to review actual samples to confirm fit and function. All specifications and dimensions are subject to change without notice.*