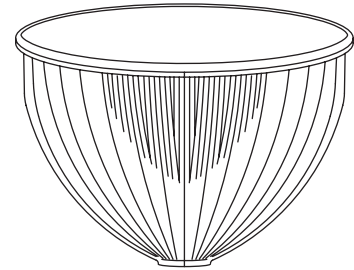




Model 110



### Dimensions

8.75" height  
13" diameter

### Materials

Acrylic:  
Clear  
Polycarbonate with UvaLex®:  
Clear

### Accessories/Options

Aluminum Reflector

### General Description

Models 110 and 111 are 8.75" high. These 13" diameter refractors are typically used in roadway or nostalgia luminaires and have smooth exteriors for self-cleaning.

### Features and Benefits

- Rated up to 175watts.
- Provides optical batwing distribution.
- Supplied in Type III which provides roadway and parking area lighting and Type V symmetrical lighting.
- Model 110 is molded in Clear Polycarbonate with UvaLex® for areas where breakage and high ambient heat are concerns.
- Model 111 is molded using UV stabilized Clear Acrylic for high efficiency in general lighting applications.

### Applications

These lenses are typically used in roadway or nostalgia luminaires. Compatible with traditional halogen, medium or mogul-based metal halide, HPS, and LED lamp sources.

Before final installation, dissipate static on parts by spraying with destaticized air or by wiping with a clean, damp rag. This will help minimize dust build up.

### Service Life

The service life of acrylic refractors is virtually unlimited when used within the recommended temperature limit. Polycarbonate refractors are subject to yellowing especially when used with high ultraviolet output light sources; this effect is enhanced at high temperatures.

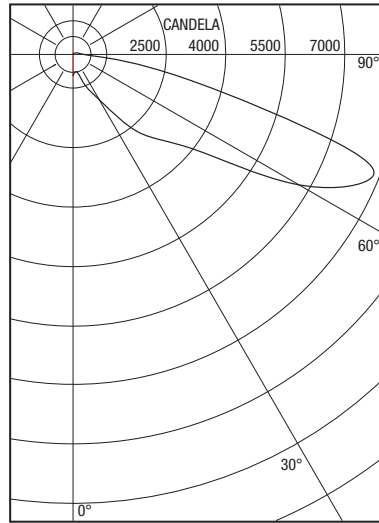
### Ordering Information

Please call 877-257-5841 for pricing and delivery.

## Type III Fixture Performance for Reference Only

**Report Number:** ITL41551  
**Total Luminaire Efficiency:** 71.56%  
**Downward total:** 68.66%  
**IES Classification:** Medium, Semi-cutoff, Type III  
**Arc Tube Voltage Rise:** 1.0

Tested in accordance with IES standards.  
 Photometry based on a 150W HPS lamp



### Materials

See the LexaLite® brand price list for current part numbers and material offerings. Up-to-date and detailed material specifications can be found in the Resources section on our website [www.alpadvantage.com](http://www.alpadvantage.com).

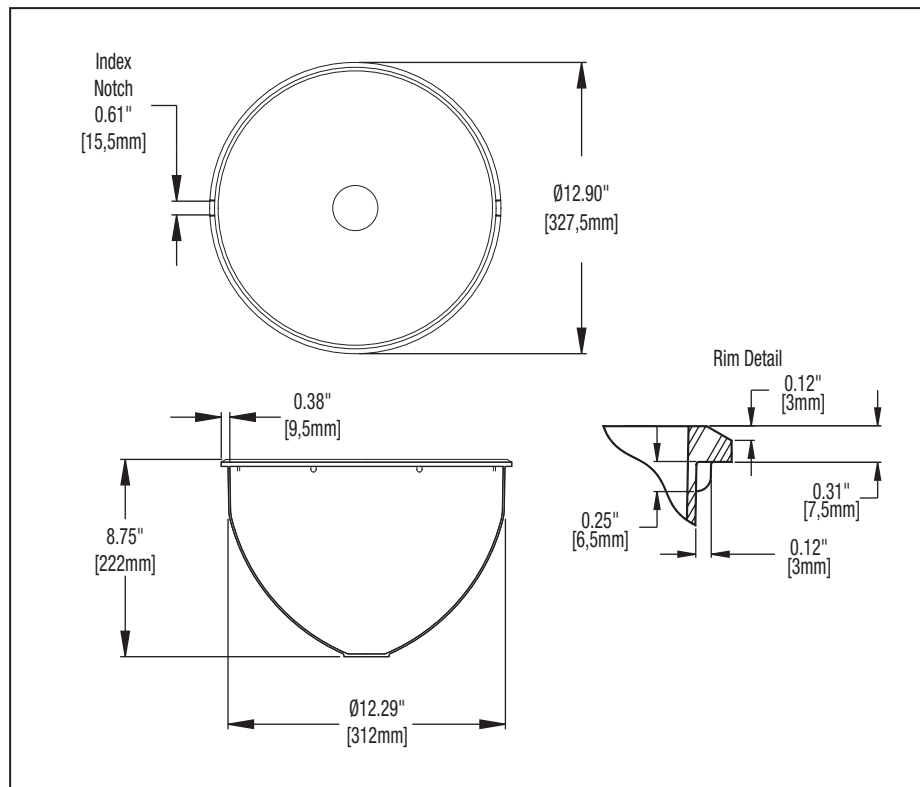
When using acrylic, the surface temperature of the lens should not exceed 80°C. When using polycarbonate, the surface temperature of the lens should not exceed 90°C.

UvaLex® is LexaLite's proprietary treatment to retard yellowing in ultraviolet environments and is standard on these polycarbonate refractors.

### Notice

A.L.P. assumes no responsibility for suitability of these materials in any luminaire or application. Please test for fit and function prior to ordering project quantities.

While A.L.P. utilizes IESNA testing procedures and believes our testing results to be accurate, A.L.P. provides photometry for reference only. Actual results will vary based on the actual light source(s) and power source(s) used, i.e. ballast, driver generator, etc. and the combinations in which they are used, as well as operating temperatures, and other electrical and environmental variables. We urge that customers perform their own fixture qualifications prior to making performance based claims. In no event will A.L.P. be liable for any loss, damage, including without limitation, indirect or consequential loss or damage in connection with the use of this information.



*This drawing is for reference only. Actual part dimensions will vary. Customer is urged to review actual samples to confirm fit and function. All specifications and dimensions are subject to change without notice.*