

1018000 Gripper
5011000 V-Hook

Kits

Gripper and cable
1018003-6' cable
1018003-10' cable

Gripper, V-Hook, cable
5011003- 6' cable
5011003-10' cable

Cable Diameter

1/16" (1.5mm)

Max Weight

40 lbs. per gripper

Description

Lighting grippers and suspension kits from A.L.P. offer value, versatility and field adjustability. Featuring the latest technology in ceiling fixture suspension, A.L.P.'s systems are both durable and flexible. Fixtures are raised and lowered on the suspension wire for fast, cost-effective installation and easy adjustment, with significantly lower labor cost. Crafted of the highest quality material, including internal stainless steel ball bearings, this kit offers the integrity that lighting OEMs require. Kits available in six and ten foot lengths with or without V-Hook, in order to hang one complete fixture.

Features

- The 1018000 gripper is designed to work with V-hook 5011000
- Adjustment at the fixture level means less time on a ladder or lift
- Unlike traditional chain hanging, no need to spend time measuring or waste scrap
- Cables are pre-looped at end for easy installation. Simply throw the cable over the strut, feed through the end loop, and cinch to secure
- Cable suspension offers a cleaner look than chain and collects less dust

Application

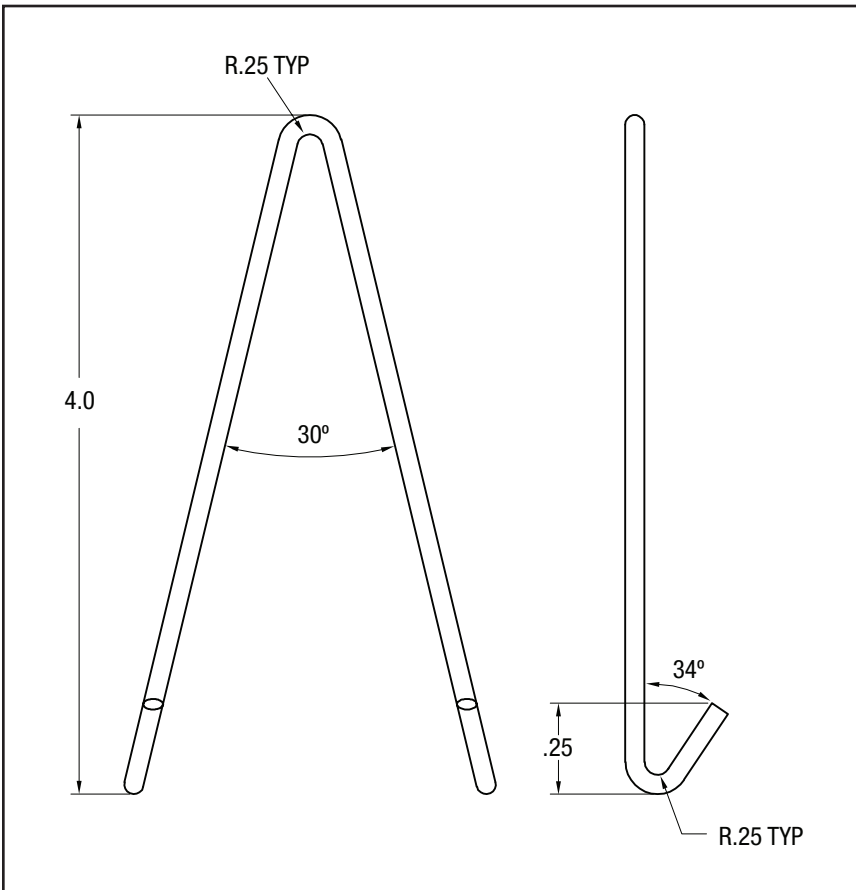
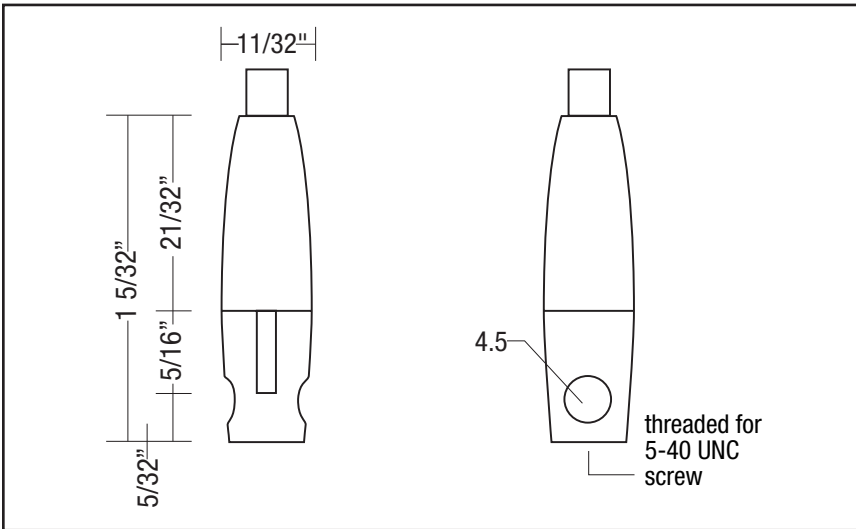
For use with high bay hanging and general fixture hanging.

Ordering Information

Please call 877-257-5841 for price and delivery.

Notice

Always support fixture while raising and lowering. If you cut off cable ends, treat them, either with glue, solder, or with a crimp to prevent them from fraying. (Allow glue to dry thoroughly before inserting in the gripper).



Notice

A.L.P. assumes no responsibility for the suitability of these materials in any luminaire or application. Suspension products are for indoor use only and are not suitable for industrial settings in which harsh chemicals, vibration, and other hazards are present.

General Description

Integrated gripper and V-Hook, kitted with cable

Materials

Galvanized steel cable, brass gripper body, stainless steel ball bearings

Capacity

40 lbs. per gripper

Color/Finish

Silver

Ordering Information Boxed

100/carton—

2 gripper assembly, cable per kit