



RDIALPDB22

General Description

An attractive center basket 2x2 direct/indirect fixture kit, the RDI provides soft, balanced illumination for a contemporary appearance and comfortable, low glare light. The housing and LED lamp modules are fully recessed above the ceiling plane, minimizing lamp exposure.

The acrylic lens wraps around the LED modules or lamps to provide the ideal combination of efficiency and aesthetics. The curved reflectors produce a combination of direct and indirect light, fully illuminating the fixture housing.

The contoured panels of the unit are finished in high reflectance matte white that provide a low-brightness glow, with the majority of the light controlled through the center.

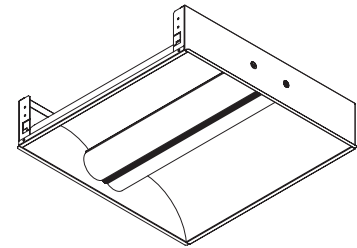
Features and Benefits

- Reflectors and ends feature specially formulated proprietary matte white paint to enhance efficiency
- Linear arrayed LEDs provide soft, effective illumination

Applications

Suitable for recessed commercial and institutional applications such as offices, hospitals, schools etc. For use with standard 15/16" grid ceiling systems.

Date	
Catalog Number	
Project	
Prepared by	
Type	
Comments	



Housing

Die-formed heavy-gauge cold rolled steel

Basket Options

Clear acrylic or clear w/overlay "Double Bubble" lens or high transmission extruded acrylic baskets

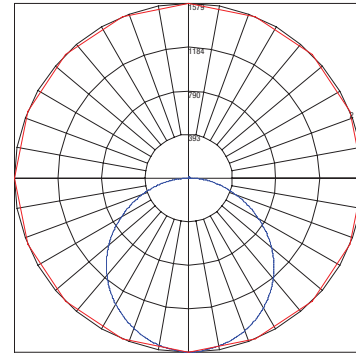
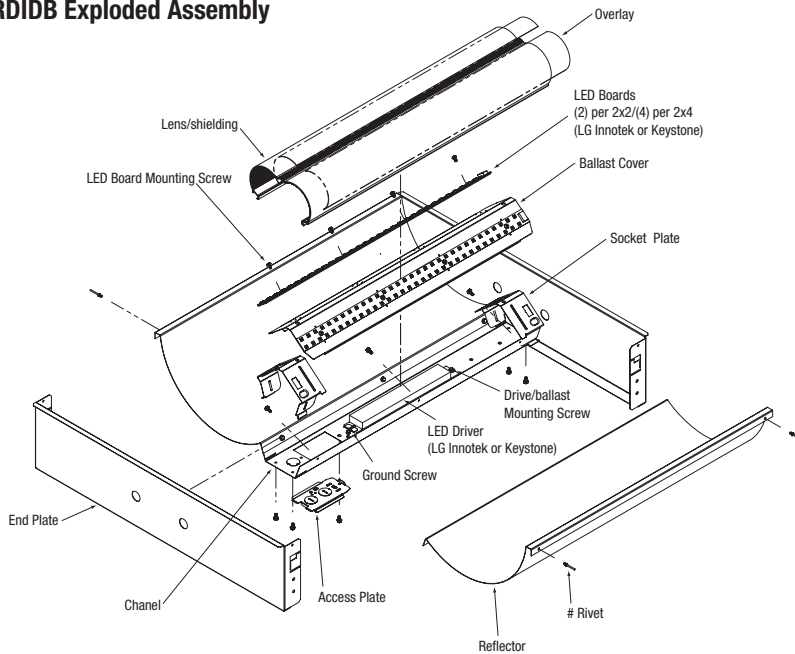
Finish

Pre-painted white polyester polymer with minimum 82% reflectivity

Mounting

Standard troffer mounting for T-bar ceilings, with earthquake feature

RDIDB Exploded Assembly



Report Number:

S14030016-12

Test Date: 04/08/14

Product Number:

RDIDB24-5535LCO

Lumens: 5140

Watts: 52

Lumens Per Watt: 99

CRI: 80

CCT: 3500K

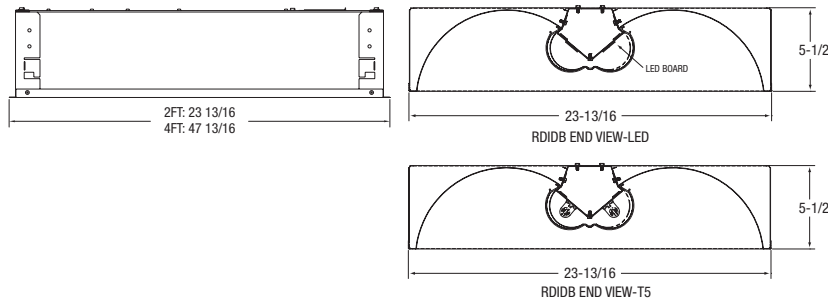
Zonal Lumen Summary

Zone	Lumens	%Fixt
0-30	1238.23	24.10
0-40	2059.36	40.10
0-60	3806.34	74.10
0-90	5131.38	99.80
0-180	5140.13	100.0

Spacing Criteria

0-180	1.26
90-270	1.36
DIA	1.46

RDIDB End Profiles



RDIDB Metal Component Kits			Shielding Options		
Kit Number	Component	Qty	Part Number	Component	Qty
RDIALPDB22 (2x2 LED/T5 Kit)			RDIDB-2LC	2ft Clear Acrylic Lens	1
ACPL	Access Plate	1	RDIDB-4LC	4ft Clear Acrylic Lens	1
RDIALP-CH2	RDI Channel 2ft	1	RDIDB-20L	2ft Lumeio Overlay for Clear Lens	2
RDIDB-E2M	RDI Double Bubble End Plate	2	RDIDB-40L	4ft Lumeio Overlay for Clear Lens	2
RDIDB-SP2	RDI Double Bubble LED Socket Plate	2	Sockets and Accessories		
RDIDB-CO2	RDI Double Bubble 2ft Cover	1	Kit Number	Component	Qty
RDIALP-RF22M	RDI Reflector 2ft	2	F1501T5-S	T5 Socket Rotor Lock	4
RDIALPDB24 (2x4 LED/T5 Kit)			Notice		
ACPL	Access Plate	1	<i>Dimensions subject to change without notice.</i>		
RDIALP-CH4	RDI Channel 4ft	1	<i>This product is an OEM component kit requiring final assembly by a qualified OEM fixture manufacturer.</i>		
RDIDB-E2M	RDI Double Bubble End Plate	2	THIS PRODUCT IS NOT A COMPLETE FIXTURE ASSEMBLY		
RDIDB-SP4	RDI Double Bubble LED Socket Plate	2			
RDIDB-CO4	RDI Double Bubble 4ft Cover	1			
RDIALP-RF24M	RDI Reflector 4ft	2			

A.L.P. will support design and development with customer supplied light engines.

A.L.P. assumes no responsibility for suitability of these materials in any luminaire or application. Please test for fit and function prior to ordering project quantities.