



General Description

The Express from A.L.P. features common parts so that you can offer your customers a wide variety of highbay options with minimal stocking requirements.

Features and Benefits

- Engineered for both T5 and T8 lamps
- High-reflectance white of Miro4 specular optics serve a wide range of high and low bay applications
- Simple design provides excellent optical performance in an economical high bay package
- Slot locations provide indirect illumination adding an additional design options

Applications

For most industrial or retail applications where low or high bay units are required, installations could include, warehouses, distribution centers, manufacturing facilities, retail stores etc.

Ordering Information

Please call 877-257-5841 for price and delivery.

Notice

A.L.P. assumes no responsibility for suitability of these materials in any luminaire or application. Please test for fit and function prior to ordering project quantities.

Dimensions subject to change without notice. This product is an oem component kit requiring final assembly by a qualified OEM fixture manufacturer. This product is not a complete fixture assembly.

Reflector Material

Miro4™ or baked white enamel

Housing Material

Die formed CRS

Wireguard (Optional)

4- and 6-Lamp

EndCaps (Optional)

4- and 6-Lamp
plastic end caps

Mounting

Designed for surface, pendant, stem, chain hanging or aircraft cable

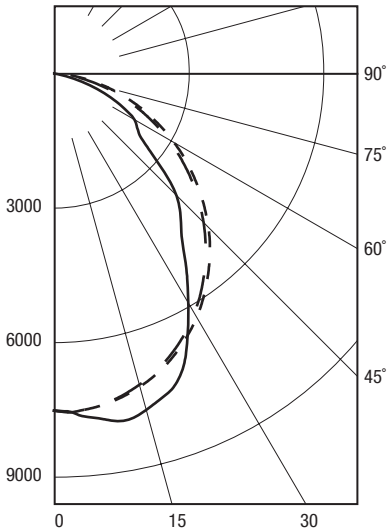
Lamps

4- and 6-Lamp T8 or T5

Finish

Pre-painted white polyester polymer with minimum 82% reflectivity

PHOTOMETRY



Lumen Summary

Zone	Lumens	% Lamp	% Fixture
0-30	6175	30.9	32.8
0-40	9819	49.1	52.1
0-60	15994	80.0	84.9
0-90	18836	94.2	100.0
90-180	0	0.0	0.0
0-180	18836	94.2	100.0

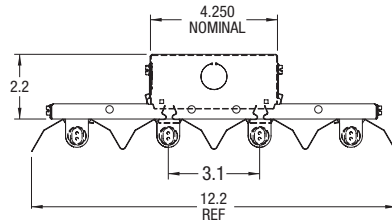
Report Number: 03510
Issue Date: 10/04/10
Prepared for: A.L.P. Lighting
Catalog Number: EXP 4RMT5
Luminaire: Express 4-Lamp T5 Miro4 Reflector
Lamp: Four 54 Watt FP54/ 835H0/ ECO Linear Fluorescents
Mounting: Pendant
Ballast: (1) Advance ICN-4S54-90C
Watts: 238 @ 120.0 Volts
Test Distance: 28 Feet

Notice

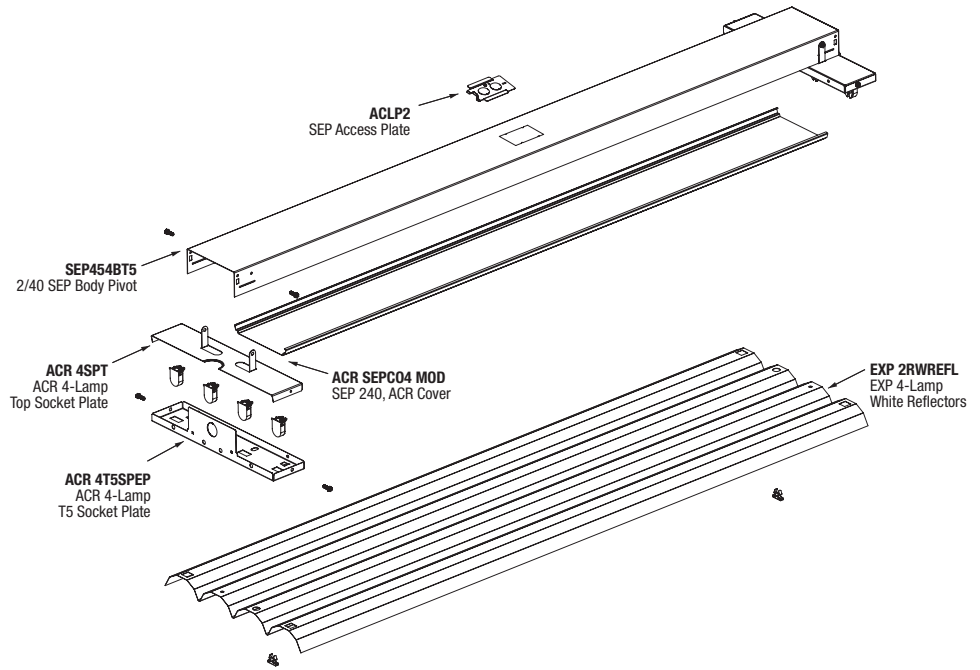
A.L.P. assumes no responsibility for suitability of these materials in any luminaire or application. Please test for fit and function prior to ordering project quantities.

While A.L.P. utilizes IESNA testing procedures and believe our testing results to be accurate, A.L.P. provides photometry for reference only. Actual results will vary based on the actual lamp/ballast combination used, operating temperatures, and other electrical and environmental variables. We urge the customer to perform their own qualification of the fixture before making performance based claims. In no event will we be liable for any loss or damage including without limitation, indirect or consequential loss or damage in connection with the use of this information.

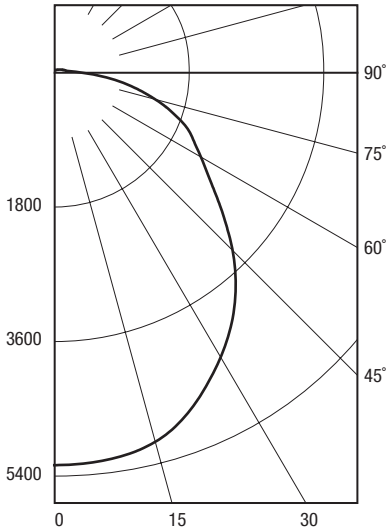
Profile Drawing



Exploded Assembly



PHOTOMETRY



Lumen Summary

Zone	Lumens	% Lamp	% Fixture
0-30	41	23.4	25.7
0-40	6736	38.1	41.8
0-60	11675	66.0	72.4
0-90	15807	89.3	98.0
90-120	304	1.7	1.9
90-130	311	1.8	1.9
90-150	317	1.8	2.0
90-180	320	1.8	2.0
0-180	16128	91.1	100.0

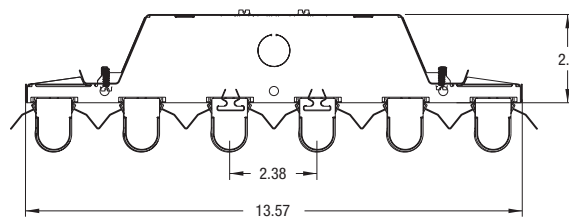
Report Number: 03965FP
Issue Date: 09/09/11
Prepared for: A.L.P. Lighting
Catalog Number: EXP 6LRMREFL
Luminaire: Exp 6 lamp t8 with miro4 reflector, high ballast factor Ballasts and medium lampholders no upright
Lamp: Six 32 watt f32t8/tl841/alto linear fluorescents
Ballast: (1) Advance IOPA-2P32HL-sc with a ballast factor of 1.18, (1) Advance IOPA-4P32-HL with a ballast Factor of 1.18
Test Distance: 28 Feet

Notice

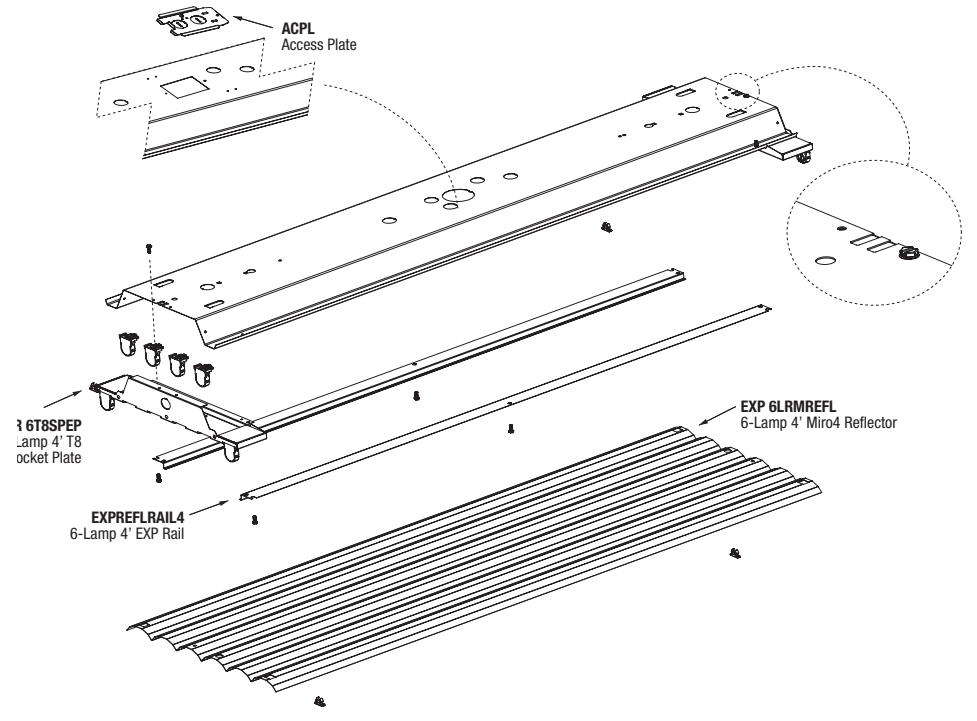
A.L.P. Lighting Components, Inc., assumes no responsibility for suitability of these materials in any luminaire or application. Please test for fit and function prior to ordering project quantities.

While A.L.P. utilizes IESNA testing procedures and believe our testing results to be accurate, A.L.P. provides photometry for reference only. Actual results will vary based on the actual lamp/ballast combination used, operating temperatures, and other electrical and environmental variables. We urge the customer to perform their own qualification of the fixture before making performance based claims. In no event will we be liable for any loss or damage including without limitation, indirect or consequential loss or damage in connection with the use of this information.

Profile Drawing



Exploded Assembly



Express RMT8 / RMT5		
Kit Number	Component	Qty
EXP 4RMT5 Express 4-Lamp T5 Miro Reflector Kit		
ACR SEPC04 MOD	Ballast Cover 4ft 43" Length	1
SEP454BT5	4/54 Sep Body	1
ACR 4T5SPEP	4-Lamp T5 Socket Plate 4ft	2
ACR 4SPT	4-Lamp Top Socket Plate	2
EXP 4RMREFL	4-Lamp 4ft Miro Exp Reflector	1
EXP 4RMT8 Express 4-Lamp T8 Miro Reflector Kit		
ACR SEPC04 MOD	Ballast Cover 4ft 43" Length	1
SEP240B	2/40 Sep Body	1
ACR 4T8SPEP	4-Lamp T8 Socket Plate 4ft	2
ACR 4SPT	4-Lamp Top Socket Plate	2
EXP 4RMREFL	4-Lamp 4ft Miro Exp Reflector	1
EXP 6RMT5 Express 6-Lamp T5 Miro Reflector Kit		
300654BT5	300-240b 6/54 T5	1
ACR 6T5SPEP	6-Lamp T5 Socket Plate 4 Ft	2
EXP 6LRMREFL	6-Lamp 4ft Miro Exp Reflector	1
EXPREFLRAIL4	Glp Reflector Rail	2
EXP 6RMT8 Express 6-Lamp T8 Miro Reflector Kit		
300-240B-ACR	300 Body Acr 6-Lamp	1
ACR 6T8SPEP	6-Lamp T8 Socket Plate 4ft	2
EXP 6LRMREFL	6-Lamp 4ft Miro Exp Reflector	1
EXPREFLRAIL4	Glp Reflector Rail	2

Express RWT8 / RWT5		
Kit Number	Component	Qty
EXP 4RWT5 Express 4-Lamp T5 White Reflector Kit		
ACR SEPC04 MOD	Ballast Cover 4ft 43" Length	1
SEP454BT5	4/54 Sep Body	1
ACR 4T5SPEP	4-Lamp T5 Socket Plate 4ft	2
ACR 4SPT	4-Lamp Top Socket Plate	2
EXP 4RWREFL	4-Lamp 4ft White Exp Reflector	1
EXP 4RWT8 Express 4-Lamp T8 White Reflector Kit		
ACR SEPC04 MOD	Ballast Cover 4ft 43" Length	1
SEP240B	2/40 Sep Body	1
ACR 4T8SPEP	4-Lamp T8 Socket Plate 4ft	2
ACR 4SPT	4-Lamp Top Socket Plate	2
EXP 4RWREFL	4-Lamp 4ft White Exp Reflector	1
EXP 6RWT5 Express 6-Lamp T5 White Reflector Kit		
300654BT5	300-240b 6/54 T5	1
ACR 6T5SPEP	6-Lamp T5 Socket Plate 4 Ft	2
EXP 6LRWREFL	6-Lamp 4ft White Exp Reflector	1
EXPREFLRAIL4	Glp Reflector Rail	2
EXP 6RWT8 Express 6-Lamp T8 White Reflector Kit		
300-240B-ACR	300 Body Acr 6-Lamp	1
ACR 6T8SPEP	6-Lamp T8 Socket Plate 4ft	2
EXP 6LRWREFL	6-Lamp 4ft White Exp Reflector	1
EXPREFLRAIL4	Glp Reflector Rail	2

Optional Components		
Part Number	Component	Qty
ACPL1	Special Access Plate For 300	1
EXP 4RMREFLU	Exp Uplight 4 Lamp Reflector (Miro*)	1
EXP 6RMREFLU	Exp Uplight 6 Lamp Reflector (Miro*)	1
EXP 4ECW	(2) Express 4-Light End Cap Plastic	1
EXP 6ECW	(2) Express 6 Light End Cap Plastic	1

Optional Suspension Kits		
Part Number	Description	Qty
4011003	Universal Yoke and Toggle Kit	2
5011003	V-hook kit	2